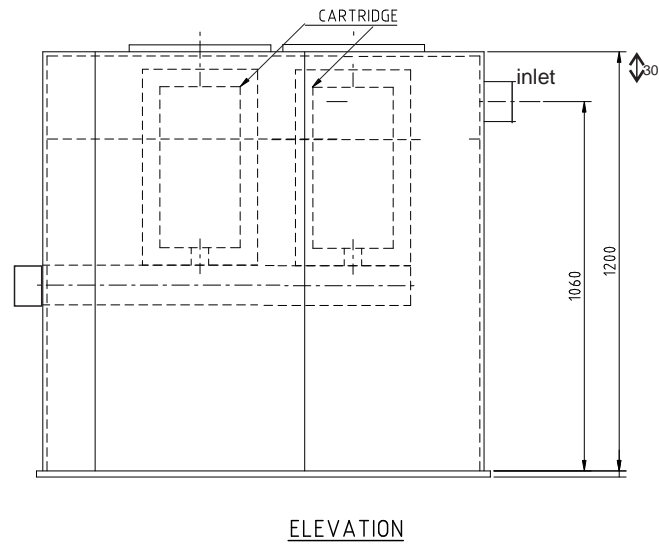
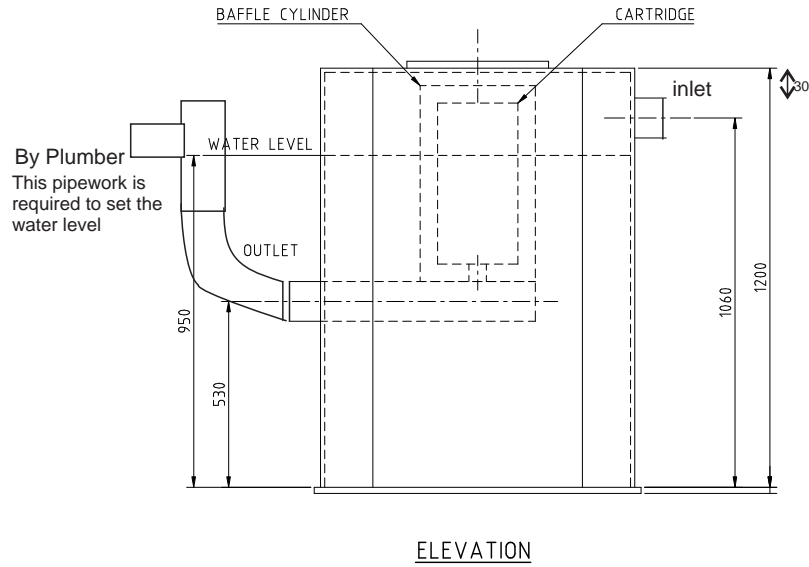
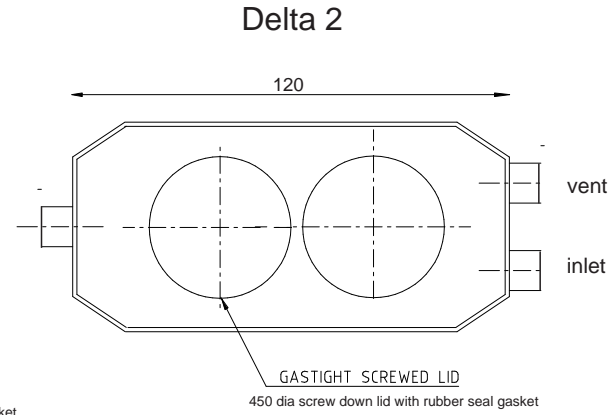
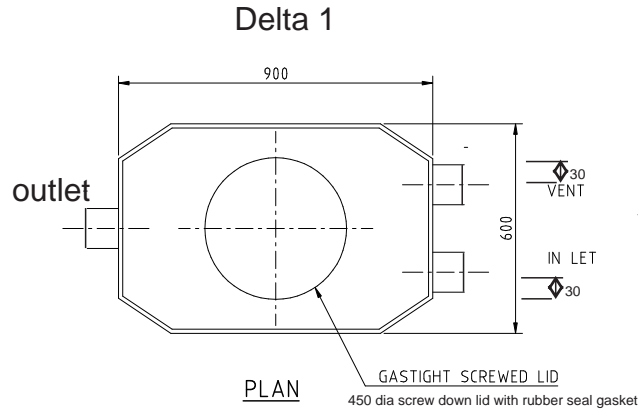


NOTE 1

ALL CONNECTIONS 100 NB

outlet invert 50mm below inlet invert.



Material of construction.
Fibreglass

Removed fixed suction points for WA Watercorp			12/11/23	BJ	DRAFTING BY		SCALE Not To Scale	DATE	eclipse Environmental Australia ACN 075 333 327		A2	
					R.T. DAVISON & ASSOC PTY LTD		Drawn			DRAWING No.		REV.
							Checked			121701		B
							Proj.Eng.			DELTA DIMENSIONAL PARAMETERS		
REFERENCE DRAWINGS	DRAWING No	No	REVISIONS	DATE	BY	CKD			SHEET OF			
1									8			