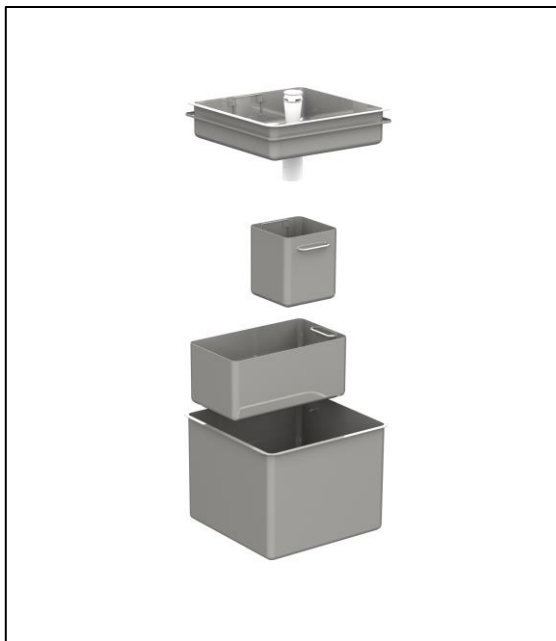


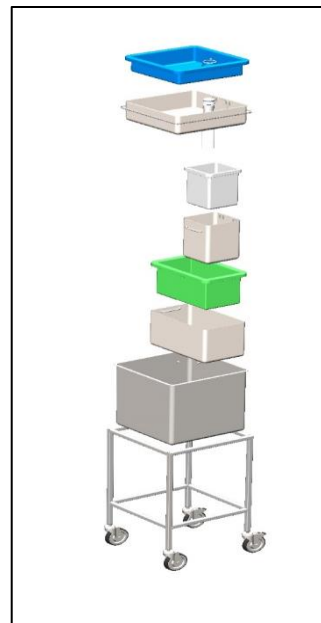
**Installation and Operation Manual for Smart Sinks
(PPST™-Bench Mounted, PPST™- Mobile Trolley)
Dated 1st January 2020**

NOTE: See extra page on Plumbing requirements for your State included.

Smart Sinks PPST™ (Particle, plaster, sediment trap) bench mounted or mobile trolley are a suitable plumbing pre-treatment collection system for Dental Labs, medical labs, prosthetic labs, veterinary practices, hospitals, schools, TAFE, or Universities, hospitality and automotive industries any industries that has PARTICLES, PLASTER or SEDIMENTS that need collecting before the liquid can enter the drainage system. Our system has been in use, tried tested and modified and our customers have complimented us on the ease of use and no ongoing plumbing.



PPST™ Bench Mounted



PPST™ Mobile Trolley

**Installation and Operation Manual for Smart Sinks (see State guidelines for install)
(PPST™-Bench Mounted, PPST™- Mobile Trolley)
Dated 1st January 2020**

Features and Benefits:

- Ergonomic design
- No unscrewing of existing plumbing to clean
- 3 x disposable bags
- Bench mounted – no crawling around in cabinets or on the floor
- Constructed from 304 Stainless Steel – option to have 316
- Shut off valve
- Visible attributes to alert bag changing if necessary outside of recommendations
- Dual purpose can be used as a normal large wash up sink if required
- No specialised trades required to be called in to clean – in house staff can change bags

Specifications:

- 1.2mm 304 grade stainless steel construction – option to upgrade to 316 grade
- 4 sink system
- 1 valve
- 3 disposable bags
- Waste connection normal plug and waste to existing drainage for Bench mounted model
- Floor waste or external drain for mobile trolley to be emptied via discharge outlet
- Housing sink – can remove 3 sections and use this sink as a large regular wash up sink
- Housing sink volume (Maximum capacity 108 litres)
- Rectangular sink – large bag (18.75 litres sink maximum as part of collection sink)
- Square Sink – small bag (11.75 litres sink maximum capacity as part of collection sink)
- Working sink – funnel bag (blue) (23 litres maximum capacity as part of collection sink)
- For Bench mounted system to work in existing bench top the bench top must be a minimum of 600mm wide with internal clearance behind door to be minimum of 530mm

Installation: NOTE page on plumbing install guidelines for your State included.

Bench Mounted (PPST™ BM) will require the standard 50mm fitting to standard 's' trap.

- Remove the Smart Sink™ - PPST™ Bench Mounted from packing if not already unpacked.
- Place template (which is the large housing sink) on benchtop in location required mark around the outside edge of sink. Move sink to the side. Now measure 10mm in from first line to make a second outline that is smaller than the first this will be the cutting line for sink. If sink is tight work it slowly through the cut out.
- Place large housing sink into bench and adhere to bench top with Silicone
- Connect plug and waste to a standard 's' trap to drainage outlet – check with local laws as to plumbing regulations – registered plumber needed for initial install.
- Place large collection bag into rectangular sink – place rectangular sink into housing sink using guides to locate position.
- Place small collection bag into square sink and place square sink into the rectangular sink.
- Place valve into top working sink, insert funnelled blue collection bag tighten cord locks around top and the funnel.
- Place working sink into housing system with the valve below going into the small square sink.
- **NO LEAK TEST REQUIRED READY TO USE**

Mobile Trolley (PPST™ M) will require the unit to be moved to drainage system then open discharge tap to flexible hose to drain water into floor waste drainage.

- Remove the Smart Sink™ - PPST™ Mobile Trolley from packing.
- Attach ball valve tap and flexible hose to main housing sink.
- Place large housing sink into trolley
- Place large collection bag into rectangular sink – place rectangular sink into housing sink using guides to locate position.
- Place small collection bag into square sink and place square sink into the rectangular sink.
- Place valve into top working sink, insert funnelled blue collection bag tighten cord locks around top and the funnel.
- Place working sink into housing system with the valve below going into the small square sink.
- When large housing sink needs emptying move the unit to floor waste place flexible hose into floor waste and open ball valve tap.