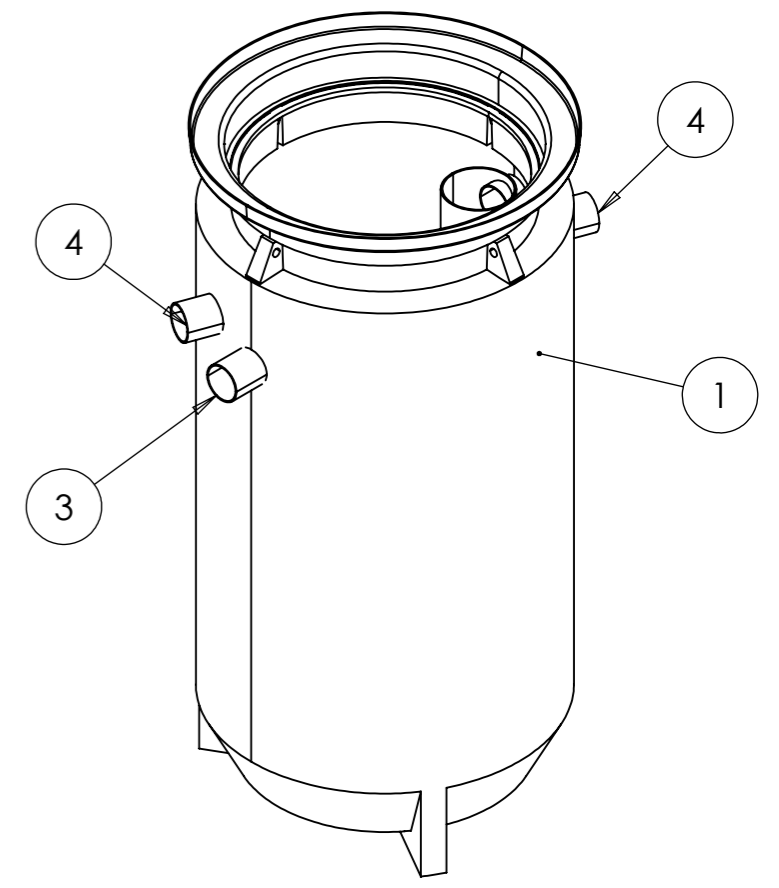
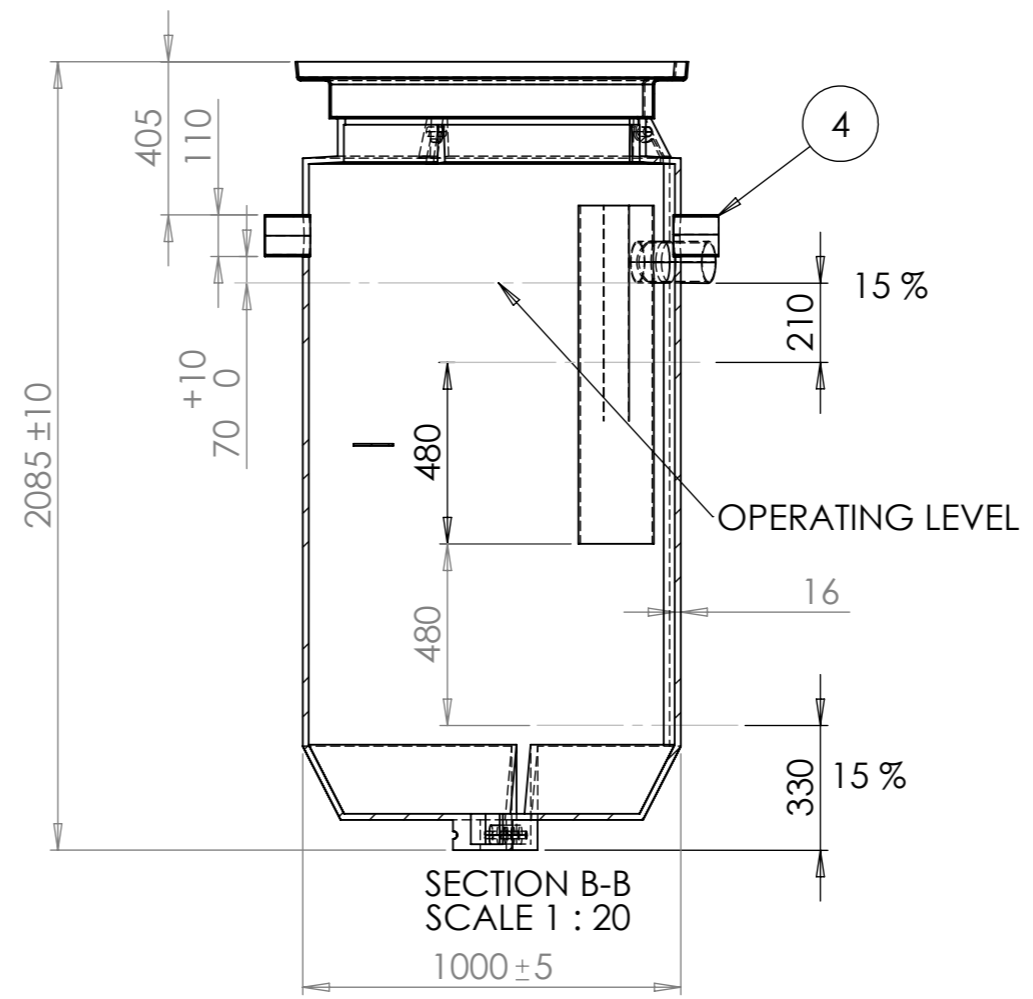
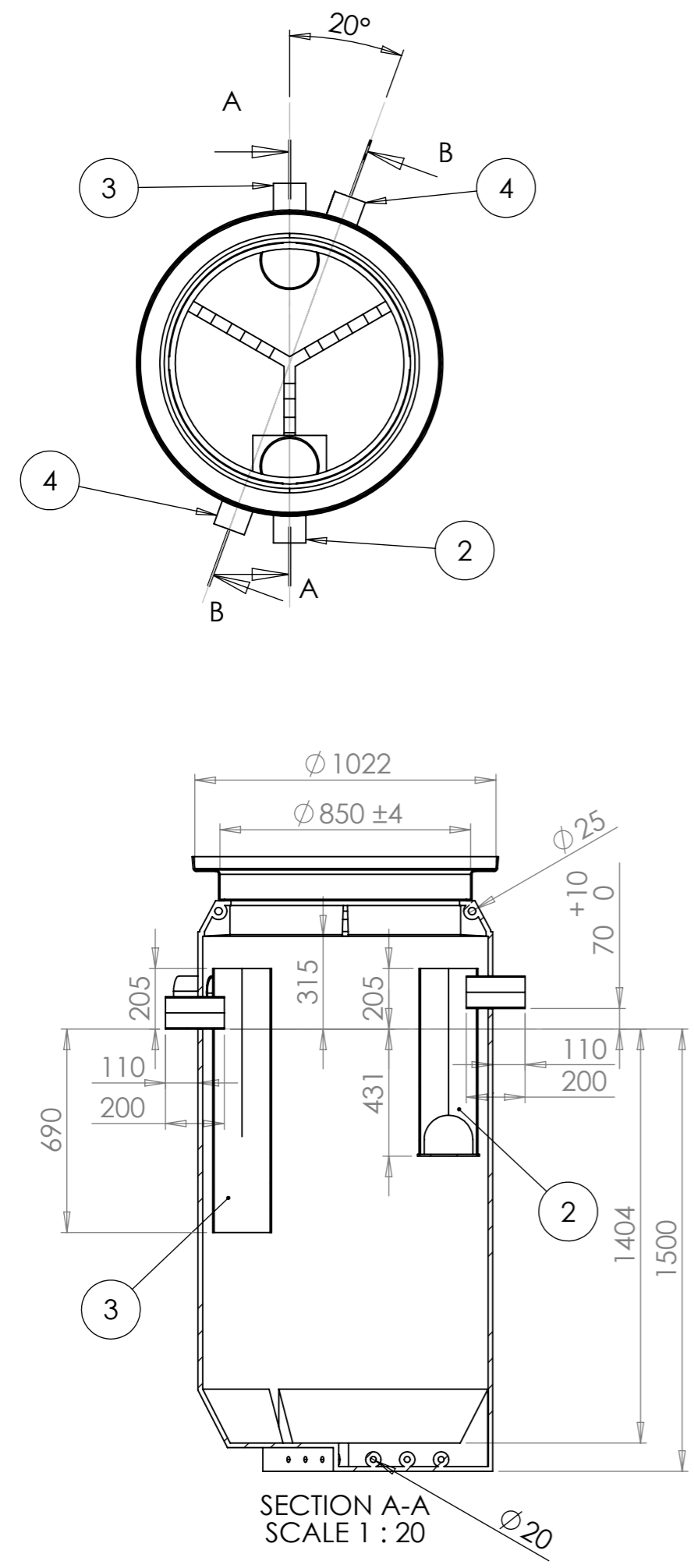


ITEM NO.	PART NUMBER	QTY.
1	SPE_#2153G1_1000L Grease Separator.STEP	1
2	Ø110 Inlet Baffle_HDPE DN100_Default_As Machined_.STEP	1
3	Ø110 Outlet Baffle_HDPE DN100_Default_As Machined_.STEP	1
4	Ø110 x120mm Vent Spiggot_HDPE DN100.STEP	2
5	ACO_Grease Separator_SPE Adaptor Collar.STEP	1



- Note:**
- Following information must be clearly evident on conformance plate.
 - Standard : AS 5215
 - Manufacturer name : ACO
 - Part No : 143267
 - Volume : 1000L
 - Maximum grease storage depth : 210 mm
 - Maximum solids storage depth : 330 mm
 - Month and year of manufacture : MM/YY
 - Conformance plate must be clearly visible after installation.
 - Following markings to be clearly marked on the body of grease arrestor.
 - Model number or product identifier : LIPUMAX PPE - 1000L
 - Dry weight : 116 kg
 - Lifting Points
 - Inlet
 - Outlet
 - Vent
 - Both vents at same height.
For Conformance plate see drawing Y043.

A		Outlet Baffle length changed		SN	31.10.23
Rev	Description	By	Date		
Revisions					
ACO Pty Ltd					
ACN 050 102 942 ABN 65 050 102 942 134 Old Bathurst Road, Emu Plains NSW 2152 Tel: 02 4747 4000 Fax: 02 4747 4040 Website: www.acoaus.com.au					
Third Angle Projection		Information contained in this drawing is copyright property of ACO. Any reproduction in part or whole without written permission of ACO is prohibited			
		DO NOT SCALE			
Drawn by:	SHEHRYAR	Date:	17.11.22	Range:	LIPUMAX
Material:	LLDPE	Finish:	-	Weight : kg	116
Job title:					
LIPUMAX PPE 1000L					
Page title:					
DETAILS					
CUSTOMER APPROVED			MANUFACTURING APPROVED		
Name:	-	Date:	-	Name:	-
Scale:	1:20	Units:	mm	Part or order No:	143267
Drawing No:	Y037	Rev:	A	Sheet:	1 OF 1
SHEET SIZE: A3					

TOLERANCE EXCEPT WHERE OTHERWISE STATED : ±1%