

# Installation guide

## LIPUMAX GREASE TRAP



Lipumax-P

Lipumax-G

VERSION NO.	IMPLEMENTED BY	REVISION DATE	REASON
1	Kate Jennings	17 July 2018	Combination of Lipumax-P and Lipumax-G
2	Kate Jennings	9 July 2019	Single o-ring riser and introduction of deeper riser
4	Kate Jennings	8 September 2021	SA Water approval integration
5	John Sordo	31 October 2023	Reference to DWG HX33-10-10 in Section 5.

## Contents

---

<b>1</b>	<b>GENERAL</b> .....	<b>3</b>
<b>2</b>	<b>SAFETY CONSIDERATIONS</b> .....	<b>3</b>
<b>3</b>	<b>SIZING</b> .....	<b>4</b>
<b>4</b>	<b>INSTALLATION</b> .....	<b>5</b>
<b>5</b>	<b>WATER AUTHORITY APPROVALS</b> .....	<b>12</b>
<b>6</b>	<b>CONTACT INFORMATION</b> .....	<b>13</b>

## 1 GENERAL

---

The ACO Passavant Lipumax grease trap is designed for below ground installation only. Lipumax grease traps are designed to remove waste Fats, Oils and Grease (FOG) from commercial tradewaste from applications such as commercial. They are not anticipated for use in residential applications.

When discharging tradewaste into the public sewer system, local water authority requirements must be adhered to.

## 2 SAFETY CONSIDERATIONS

---

All work in installing and maintaining this grease trap shall comply with requirements of the relevant authorities.

### 2.1 Site handling

Inspect the Lipumax upon delivery and prior to installation, check for damage that may have occurred during transportation or at the job site prior to installation.

Grease traps can be large. To avoid damage to the grease trap, ensure that correct equipment (e.g. forklift, crane or sling ropes) is available for proper unloading and manoeuvring on site. Use lifting provisions (shown below).

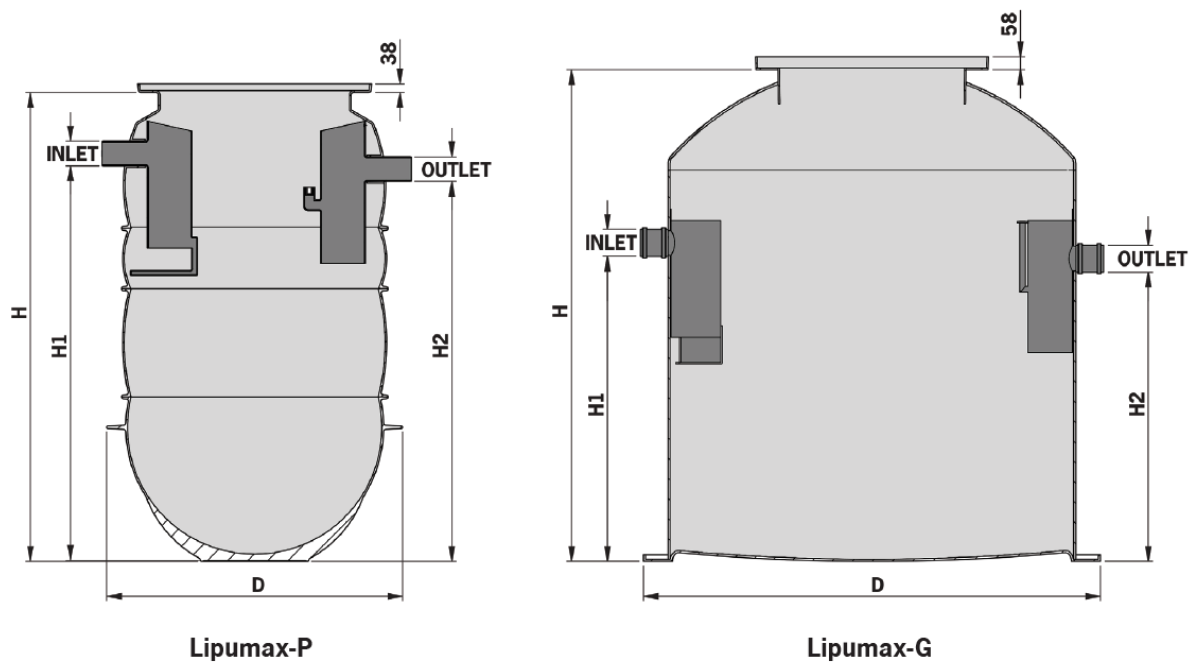
Note: 2000L and above traps may require a 3 tonne excavator to dig the required depth.



### 2.2 Workplace Health and Safety (WHS)

- All safety instruction labels must be replaced if they become detached or illegible
- Installed devices (e.g. baffles, inlets, outlets etc.) are not load bearing. They must not be used as steps, footholds or resting places for cleaning equipment etc.
- Grease traps should not be installed where a danger to health is possible from the grease separator leaking, blocking or surcharging.
- Ensure the angle of excavation is suitable for the soil type.

### 3 SIZING



#### Lipumax parts table

Part No.	Description	Capacity (L)	Weight Empty (kg)	Inlet/Outlet	H	H1	H2	D
142094	Lipumax-P 720L	720	63	110	1349	1022	952	1320
142095	Lipumax-P 1000L	1465	93	110	2101	1774	1704	1320
142096	Lipumax-P 1500L	1675	108	160	2308	1956	1886	1320
142098	Lipumax-P 2000L	2170	125	160	2790	2438	2368	1320
142960	Lipumax-G 3000L	3000	283	110	2192	1365	1295	2040
142961	Lipumax-G 4000L	4000	302	110	2529	1630	1560	2040
142962	Lipumax-G 5000L	5000	456	110	2479	1410	1340	2440

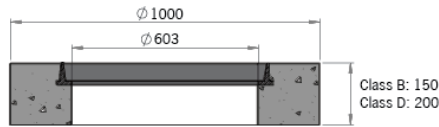
**Note:** All dimensions are in mm.

#### Lipumax accessories table

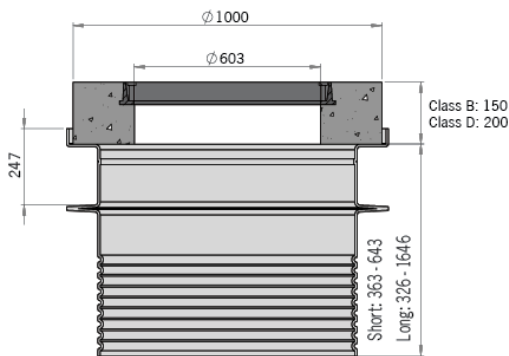
Part No.	Description	Weight (kg)
142350	Riser tube (short)	22.0
142970	Riser tube (long)	48.0
142105	Baffle cap to suit 110 Ø inlet/outlet	0.1
142106	Baffle cap to suit 160 Ø inlet/outlet	0.1

Each Lipumax trap requires a gas and water tight access cover (complaint to AS 3996) to close the system and offer access for maintenance purposes. A range of Class B and Class D covers and assemblies are available.

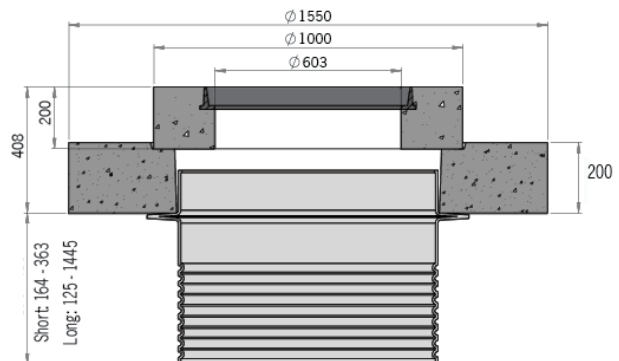
**Cover and collar**



**Cover, collar and riser tube**



**Cover, collar, riser tube and load distribution plate**



**Note:** All dimensions are in mm.

**Cover assemblies table**

Cover Type	Cover and collar		Cover, collar and riser tube				Cover, collar, riser tube and load distribution plate			
			Short		Long		Short		Long	
	Part No.	Weight (kg)	Part No.	Weight (kg)	Part No.	Weight (kg)	Part No.	Weight (kg)	Part No.	Weight (kg)
SAKU® Class B	142296	149	142780	171	142950	196	-	-	-	-
Rhinocast® Class B	142120	215	142781	237	142951	262	-	-	-	-
Rhinocast® Class D	142099*	366	142782*	388	142952*	413	142299	1121	142953	1146

**Note:** \*To suit engineered slab detail, see page 19 for more information.

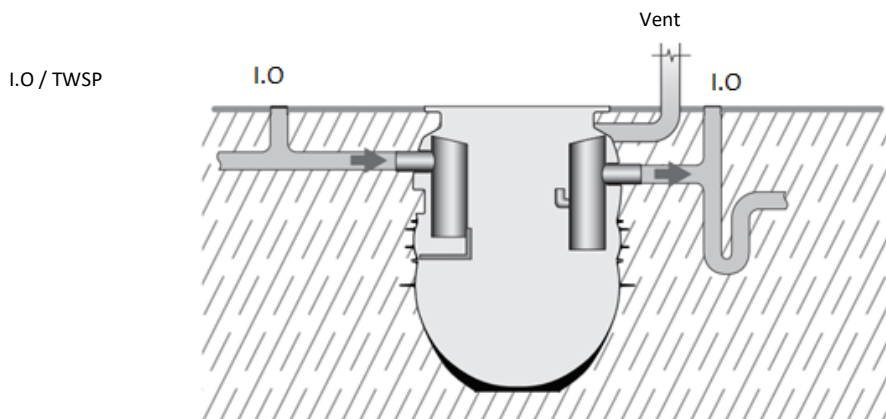
## 4 INSTALLATION

The Lipumax grease trap must be installed in compliance with local water authority regulations (see section 5), Safe Work Australia, national plumbing standards and all other codes of practice. Prior to installation, ensure that the local water authority approves each installation.

The cover assembly selection will determine the overall installation depth. When installed, the tops of the cover and collar assembly should be flush with the finished surface level.

#### 4.1 Installation steps

1. Check all dimensions carefully before installation. Excavate to the required depth, allowing for the trap depth (as outlined in section 3) and an additional 100mm, and at least 300mm on either side. The width of excavation should be sufficient for the compactor to access.
2. Place stabilised bedding sand or concrete in the base of the hole and compact so it is level and free of rocks or other unsuitable materials.
3. Connect the required lifting apparatus to the grease trap. Lower the grease trap into the excavation and align the inlet, outlet and ventilation pipes to required positions. Place 200mm stabilised bedding sand or concrete around the trap and compact. The grease trap should be filled with water and backfilled with compacted sand and gravel or soil in 300mm sections. Ensure backfill is free of rocks, or other unsuitable materials.
4. Connect inlet, outlet, I.O/TWSP and vent pipes. Two vent connections are available to suit on-site requirements.
5. Install the cover and collar assembly selected.



- \*I.O – Inspection opening
- \* TWSP – Trade Waste Sampling Point

#### 4.2 Connecting pipes

Lipumax grease traps can be used in conjunction with a number of different pipe materials. Connecting pipes and pipe materials should be installed in accordance with AS/NZS 3500 and local plumbing codes.

Note: Check manufacturers' approvals for use in ground slab applications, prior to use. Couplings are not supplied by ACO.

### HDPE pipe

- HDPE connector (left)
- Flexible coupling (middle)
- Flex seal shielded coupling (right)



### PVC pipe

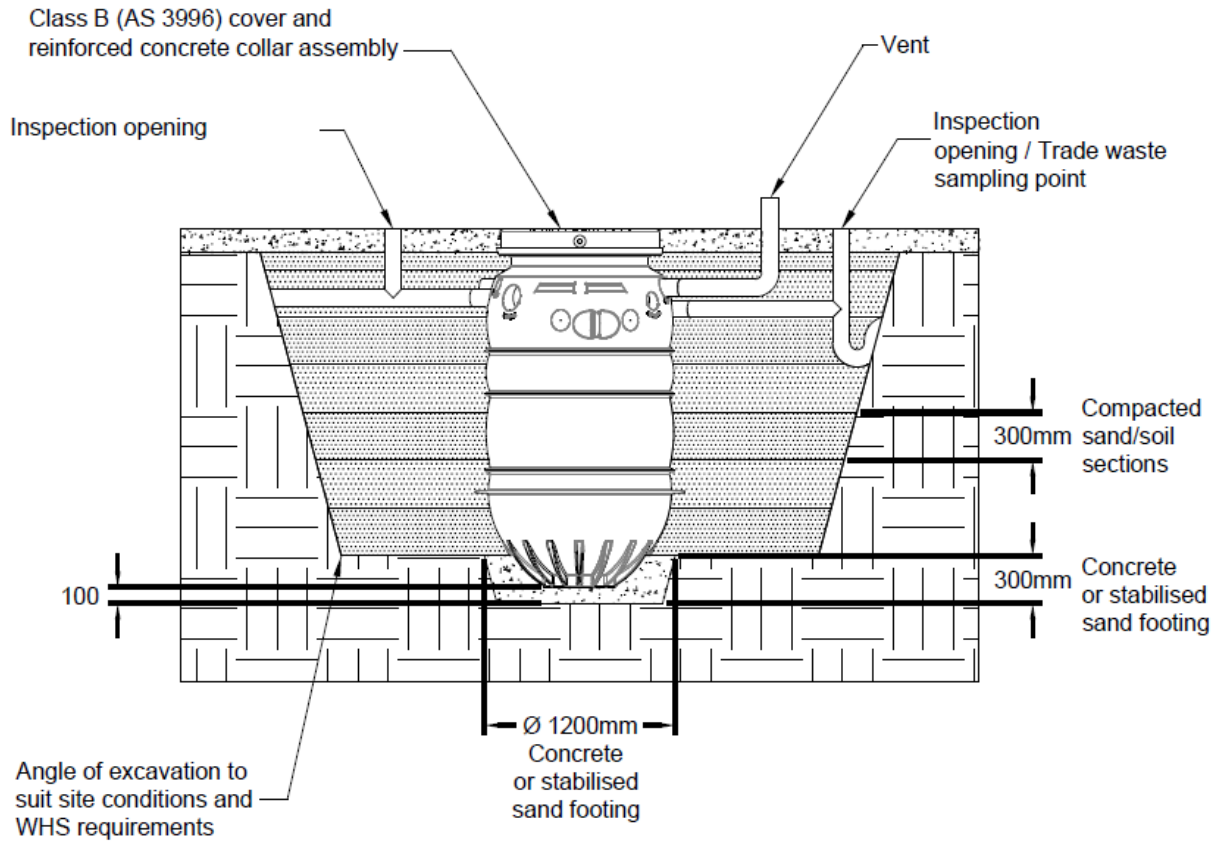
- Flexible coupling (left)
- Flex seal shielded coupling (middle)
- PVC slip coupling (right)



### 4.3 Installation drawings

Following are some typical installation details. For additional installation details and downloadable installation details, visit [www.acopassavant.com.au](http://www.acopassavant.com.au).

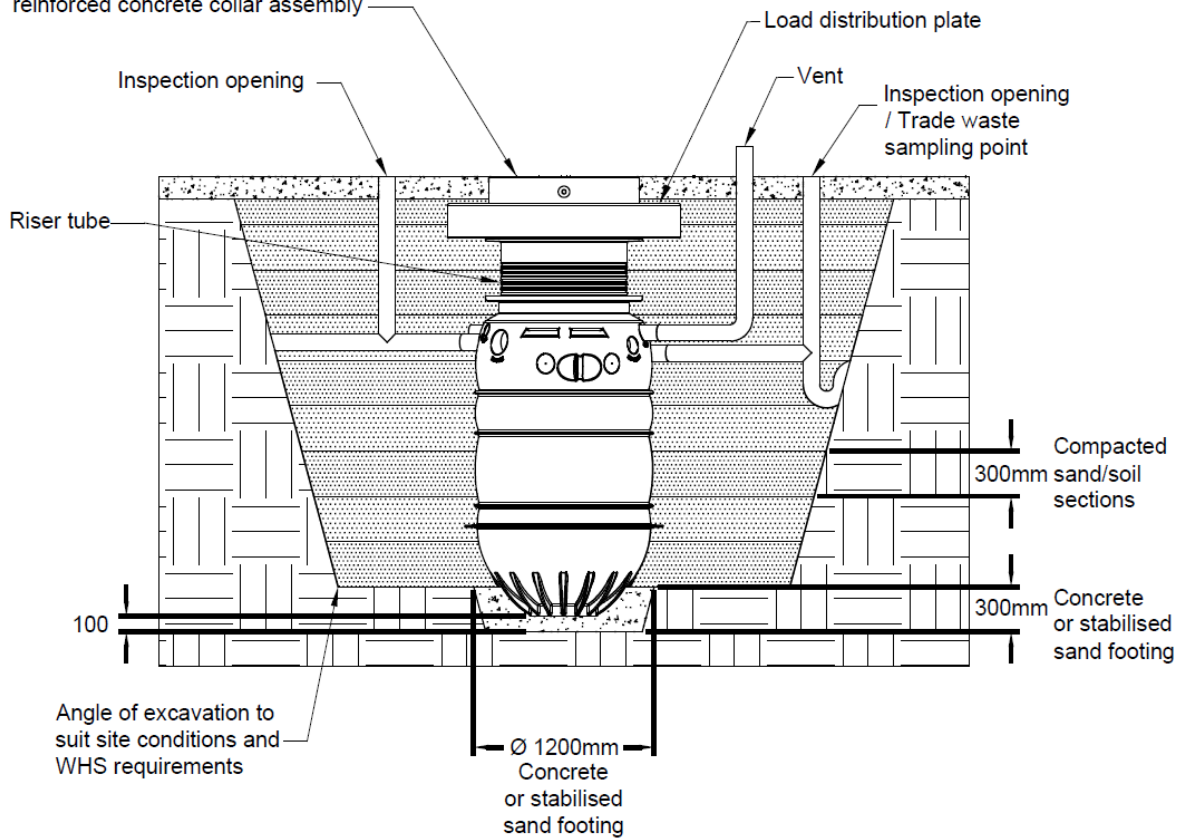
#### Class B (AS 3996) with access cover and reinforced concrete collar



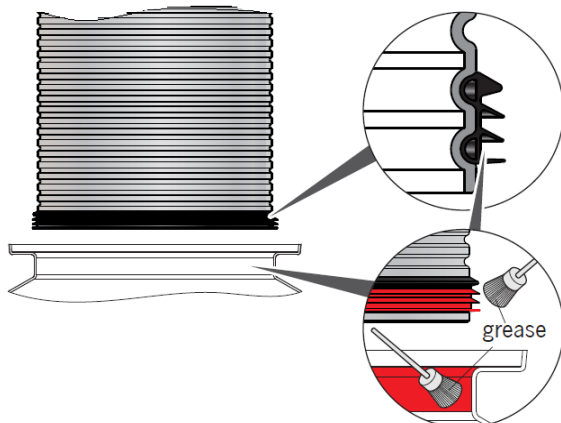
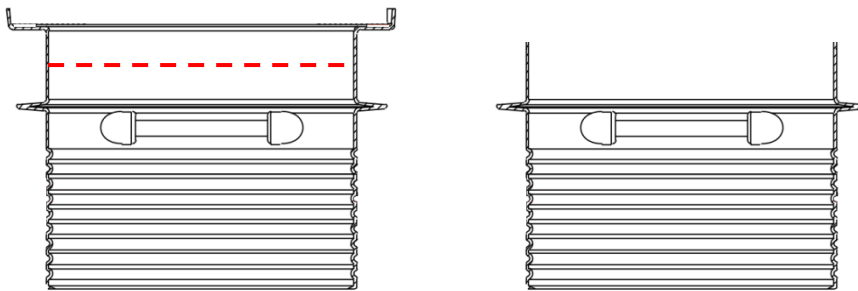


### Class D (AS 3996) with concrete collar, load distribution plate and riser tube

Class D (AS 3996) cover and reinforced concrete collar assembly

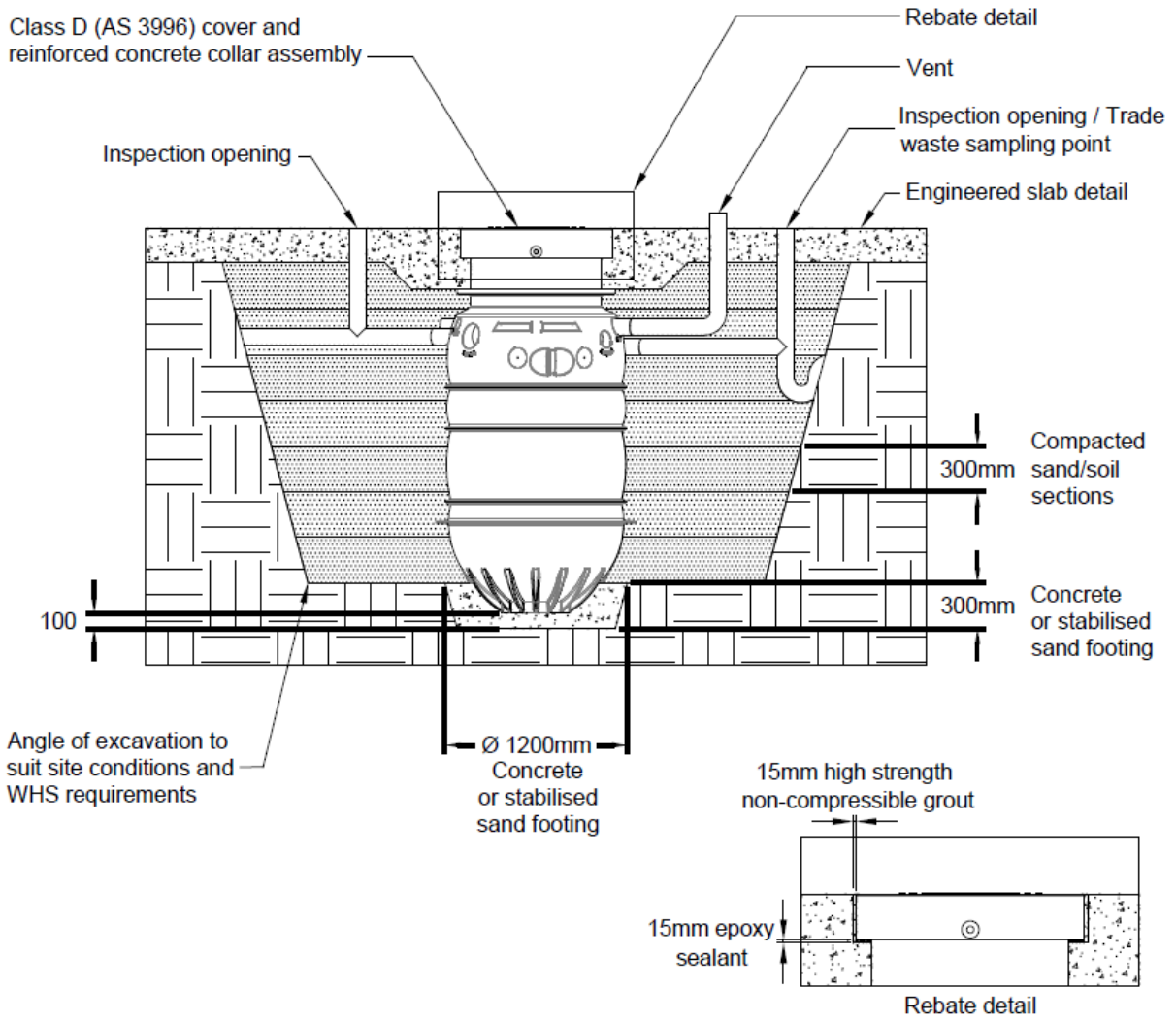


Prior to installation the rebate must be cut to off the top of the riser tube (along the dotted line shown below) using the groove provided, as per the diagrams below.

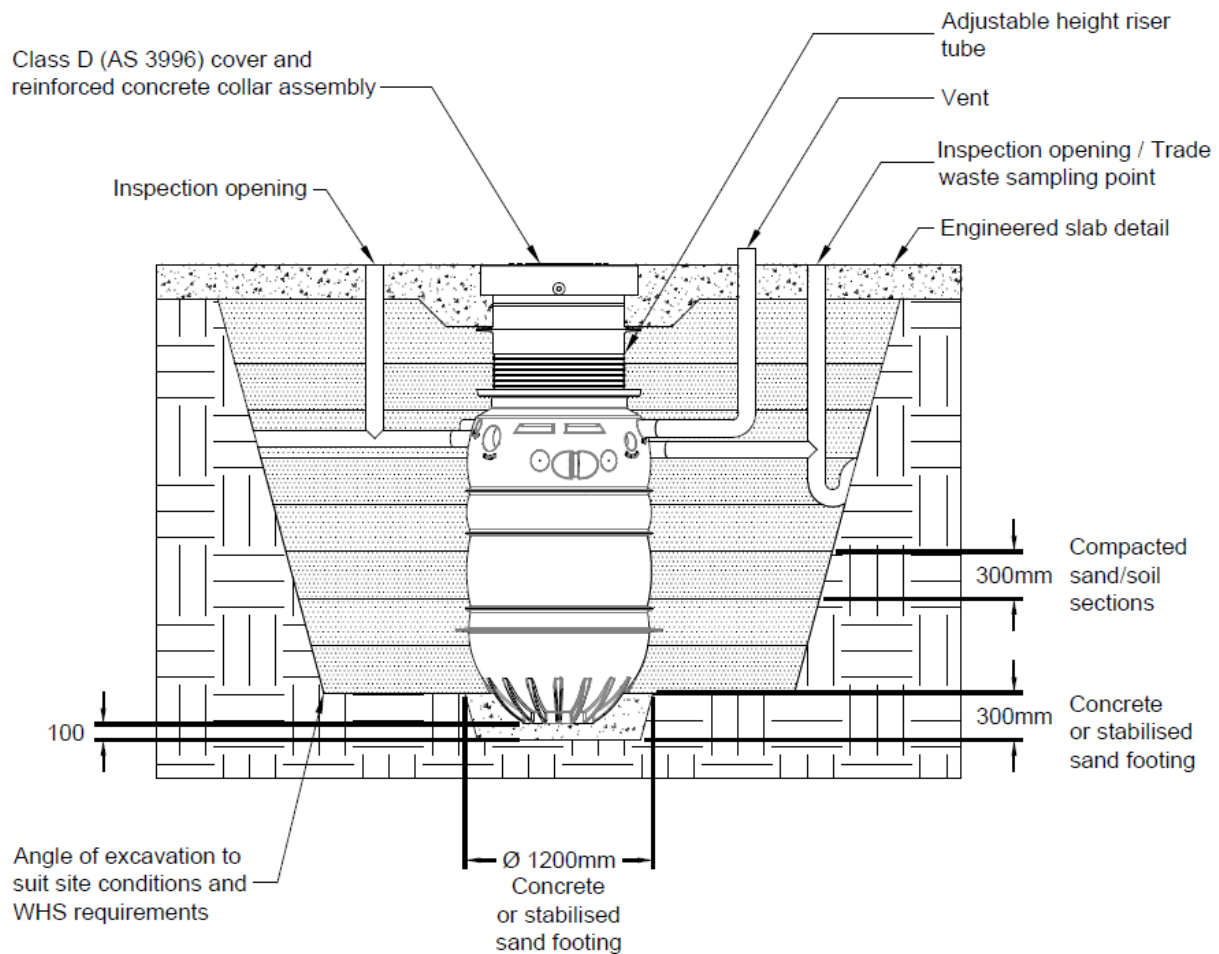


1. Prepare riser by cutting it to the required height.
2. Lubricate the riser tube, sealing ring and internal face of the separator
3. Slide the sealing ring onto the riser tube
4. Push the riser tube into the installed separator

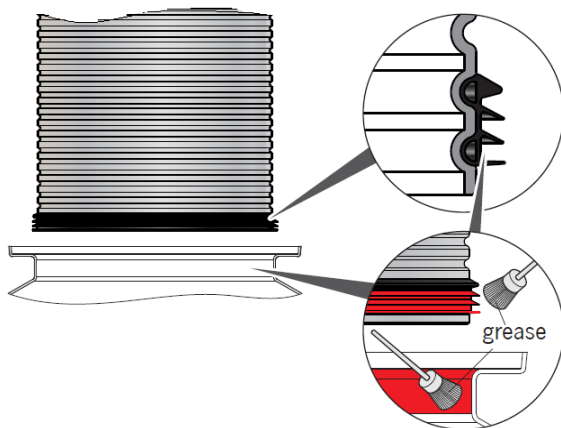
### Class D (AS 3996) with concrete collar to suit engineered slab detail



### Class D (AS 3996) with concrete collar and riser tube to suit engineered slab detail



Prepare shaft by cutting it to the required height and fitting the sealing ring (supplied) and position the retaining ring one notch above to bring the riser to the desired height. To ensure water tightness, apply acid free grease to the seal and collar seating. Before installing the concrete collar and cover, ensure the riser tube has been backfilled.



1. Prepare riser by cutting it to the required height.
2. Lubricate the riser tube, sealing ring and internal face of the separator
3. Slide the sealing ring onto the riser tube
4. Push the riser tube into the installed separator

## 5 WATER AUTHORITY APPROVALS

---

Please refer to [www.acopassavant.com.au/approvals](http://www.acopassavant.com.au/approvals) for a list of the approved ACO grease trap water authority approvals.

Some authorities have specific requirements for applications within their catchment. Below are some of these requirements, but contact the local authority for case-by-case advice.

### Water Corporation

- Refer to drawings HX33-11-10 & HX33-11-30 for precise construction requirements for Trade Waste Sampling Point (TWSP).
- Only camlock fittings are to be used for pump out line and no fixed suction is to be installed.
- For grease trap installation guidelines, refer to information sheet 23B.
- A baffle cap is required on the outlet baffle to prevent surcharge. Refer to section 3 for ordering information.
- A hose tap fitted with a backflow prevention device must be located within 5 metres of the grease trap for cleaning purposes (as per AS/NZS 3500).
- Adequate backflow prevention must be in place. Refer to Water Corporation *Grease Arrestors Installation Guidelines (Information Sheet 23B)*.
- The grease trap model and size can be identified on the inside lip of the trap and an external label:



### Sydney Water

A certificate of compliance from a licensed plumber must be supplied when a grease trap is being installed.

### Gold Coast Water

- A Gold Coast Water riser tube to be included with all below ground traps.
- For Class B applications, ensure part number 142136 is ordered.
- For Class D applications, ensure the GCW cover is ordered instead of regular cover. Use part number 142137.

### Icon Water

A baffle cap is required on the inlet and outlet baffle to prevent surcharge. Refer to section 3 for ordering information.

### **SA Water**

A baffle cap is required on outlet baffle to prevent surcharge. Refer to section 3 for ordering information.

## **6 CONTACT INFORMATION**

---

For queries, servicing assistance and spare parts, contact ACO.

<p style="text-align: center;"><b>ACO Pty Ltd</b> 134-140 Old Bathurst Road Emu Plains NSW 2750 Australia e: sales@acoaus.com.au    p: +61 2 4747 4000</p>
--------------------------------------------------------------------------------------------------------------------------------------------------------------------------------

---

Original manufacturer document ACO Haustechnik HT 869 subject number 3300.11.50.