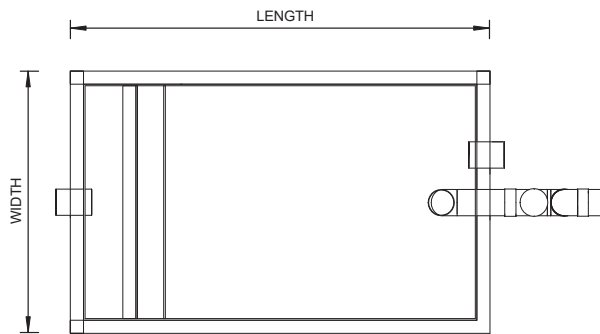


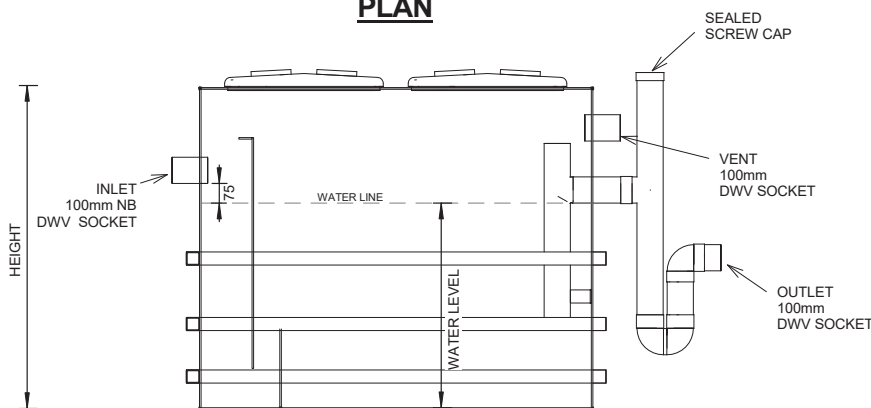
ABOVE GROUND Grease Traps (WA)

| Capacity | Length | Width | Level | Height | Code |
|-------------|--------|-------|-------|--------|---------|
| 100 Litre | 610 | 410 | 410 | 620 | 100GTAG |
| 150 Litre | 800 | 470 | 400 | 600 | 150GTAG |
| 200 Litre | 1220 | 400 | 400 | 620 | 200GTAG |
| 250 Litre | 1220 | 500 | 400 | 620 | 250GTAG |
| 300 Litre | 1220 | 620 | 400 | 620 | 300GTAG |
| 400 Litre | 1200 | 800 | 500 | 880 | 400GTAG |
| 500 Litre | 1300 | 700 | 700 | 1000 | 500GTAG |
| *600 Litre | 1300 | 930 | 580 | 800 | 600GTAG |
| *700 Litre | 1300 | 850 | 780 | 1100 | 700GTAG |
| *800 Litre | 1600 | 850 | 720 | 1020 | 800GTAG |
| *900 Litre | 1600 | 1000 | 670 | 990 | 900GTAG |
| *1000 Litre | 1600 | 1000 | 750 | 1050 | 1-GTAG |
| *1100 Litre | 1600 | 1000 | 780 | 1230 | 11-GTAG |
| *1500 Litre | 1900 | 1000 | 930 | 1230 | 15-GTAG |
| *2000 Litre | 2540 | 1000 | 930 | 1230 | 2-GTAG |
| 3000 Litre | 3300 | 1000 | 930 | 1230 | 3-GTAG |
| 5000 Litre | 3100 | 1800 | 1220 | 1600 | 5-GTAG |

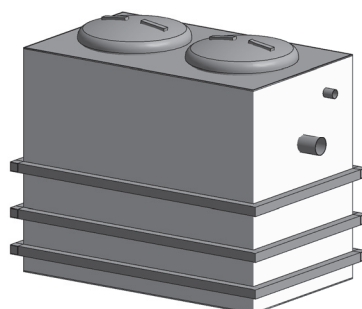
*Only these sizes apply to WA Water Corporation area of operation.
Custom units available on request.



PLAN



SECTION A-A



- Approved for use by the WA Water Corporation.
- Custom grease interceptors made to order.
- Fabricated from premium grade Cast PVC and Polypropylene.
- 100mm NB inlet & outlet, 100mm NB vent - unless otherwise specified.
- Sealed screw cap access covers as standard. Gas assisted hinged lids available.
- Removable galvanised steel support rails on units over 300 Litres. (must be installed prior to use)

Must be protected from direct sunlight, except 1500L and 2000L units.

- Fitting locations and sizes may be modified to suit.
- Hinged lids and "Shoebox" style lids available.
- Other modifications may be made within the guidelines of the governing water authority (Call for more information).

Other products available

- Pump Tanks
- Petrol & oil Interceptors
- Solvent Interceptors
- Mixing Tanks
- Neutralising Tanks
- Settling Tanks
- Cooling Tanks
- Straining Tanks
- Pit Liners
- Custom Pipe Fittings
- Fume Extraction & Ducting
- All Custom Fabrication



15 Deborah St Golden Square
Bendigo, 3555
P: 03 5442 8728
F: 03 5442 6137
E: sales@cvplastics.com.au
W: www.cvplastics.com.au