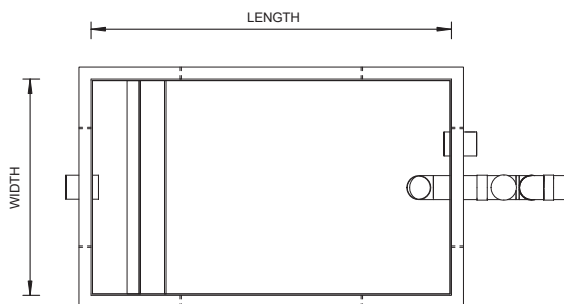


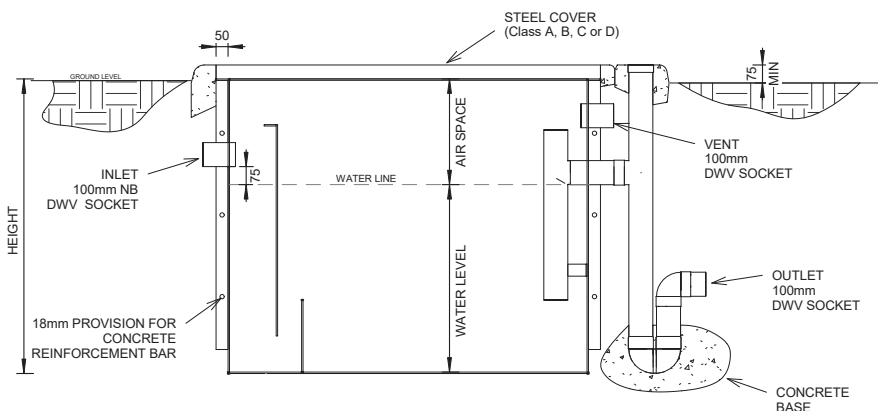
BELOW GROUND Grease Traps (WA)

Capacity	Length	Width	Level	Height	Code
100 Litre	610	410	410	620	100GTBG
150 Litre	700	470	470	680	150GTBG
200 Litre	800	500	500	710	200GTBG
250 Litre	900	530	530	740	250GTBG
300 Litre	900	600	560	880	300GTBG
400 Litre	1100	700	560	880	400GTBG
500 Litre	1200	600	700	1000	500GTBG
*600 Litre	1200	750	670	990	600GTBG
*700 Litre	1200	750	780	1100	700GTBG
*800 Litre	1500	750	720	1020	800GTBG
*900 Litre	1500	900	670	990	900GTBG
*1000 Litre	1500	900	750	1050	1-GTBG
*1100 Litre	1500	900	820	1230	11-GTBG
*1500 Litre	1800	900	930	1230	15-GTBG
*2000 Litre	2400	900	930	1230	2-GTBG
3000 Litre	3200	900	930	1230	3-GTBG

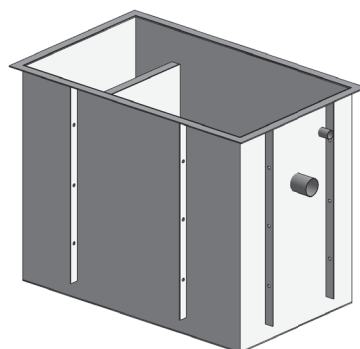
*Only these sizes apply to WA Water Corporation area of operation. Custom units available on request. Allow 50mm all around for the ribs as drawn.



PLAN



SECTION A-A



- Approved for use by the WA Water Corporation.
- Custom grease interceptors made to order.
- Fabricated from premium grade Cast PVC and Polypropylene.
- 100mm NB inlet & outlet, 100mm NB vent - unless otherwise specified.

Customisation

- Length width & height may be modified to suit.
- Fitting locations and sizes may be modified to suit.
- Other modifications may be made within the guidelines of the governing water authority (Call for more information).

Other products available

- Pump Tanks
- Petrol & oil Interceptors
- Solvent Interceptors
- Mixing Tanks
- Neutralising Tanks
- Settling Tanks
- Cooling Tanks
- Straining Tanks
- Pit Liners
- Custom Pipe Fittings
- Pipe Fusion Welding
- Tank & Pipe Repairs
- Fume Extraction & Ducting
- All Custom Fabrication



15 Deborah St Golden Square
Bendigo, 3555
P: 03 5442 8728
F: 03 5442 6137
E: sales@cvplastics.com.au
W: www.cvplastics.com.au