

Fixed Strainer - 120 x 4mm Diameter Holes  
 Removable Strainer - 606 x 4mm Diameter Holes

**3monkeez**  
 innovate. create. deliver.

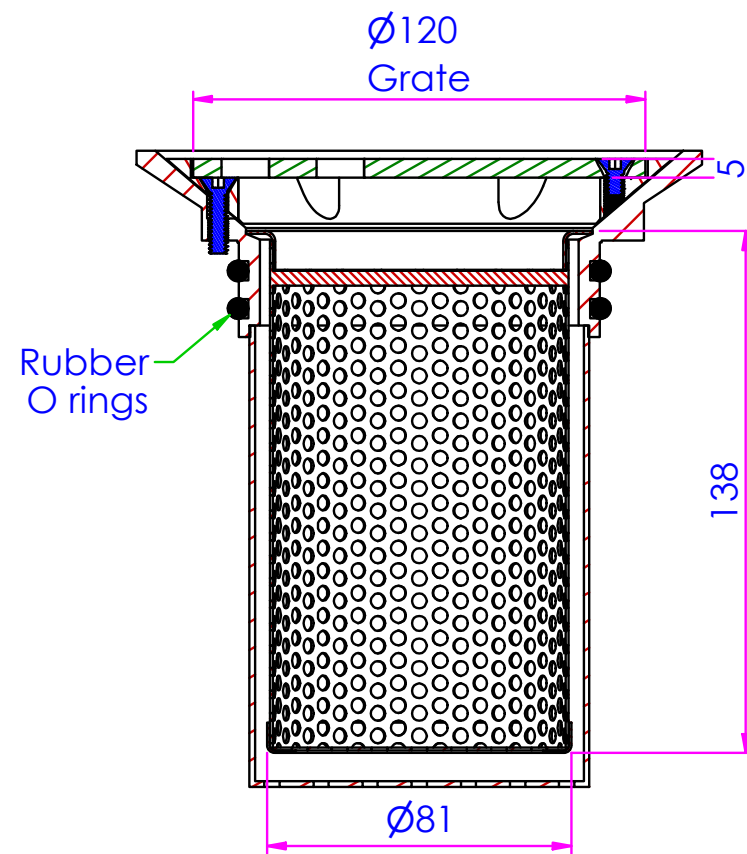
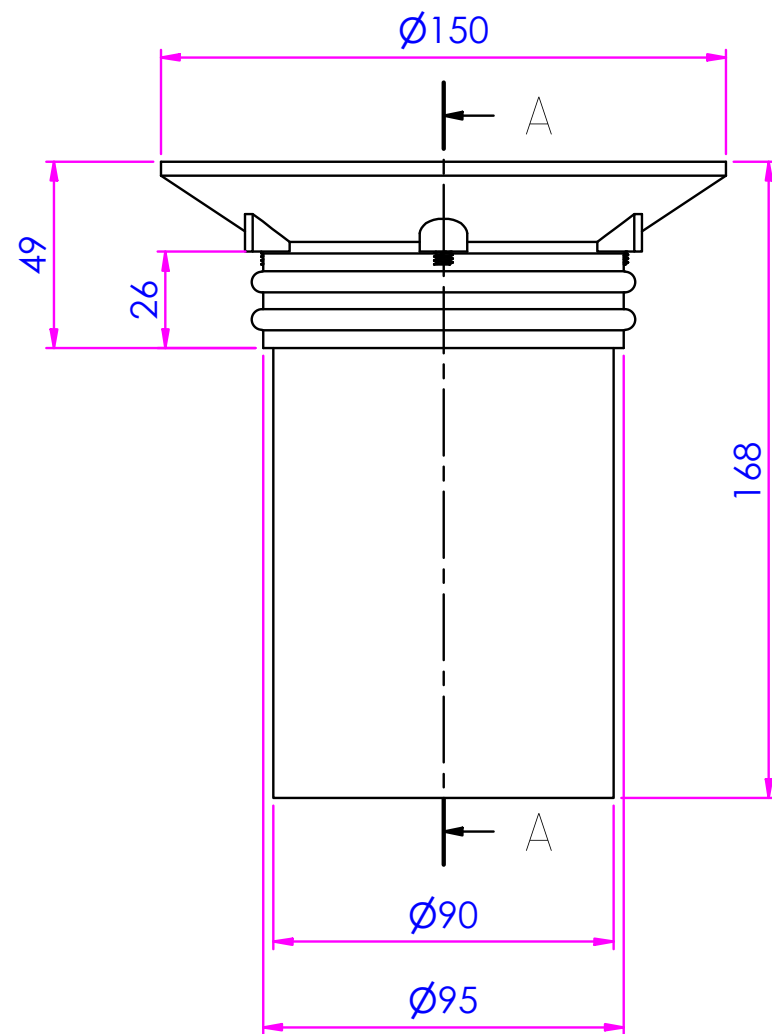
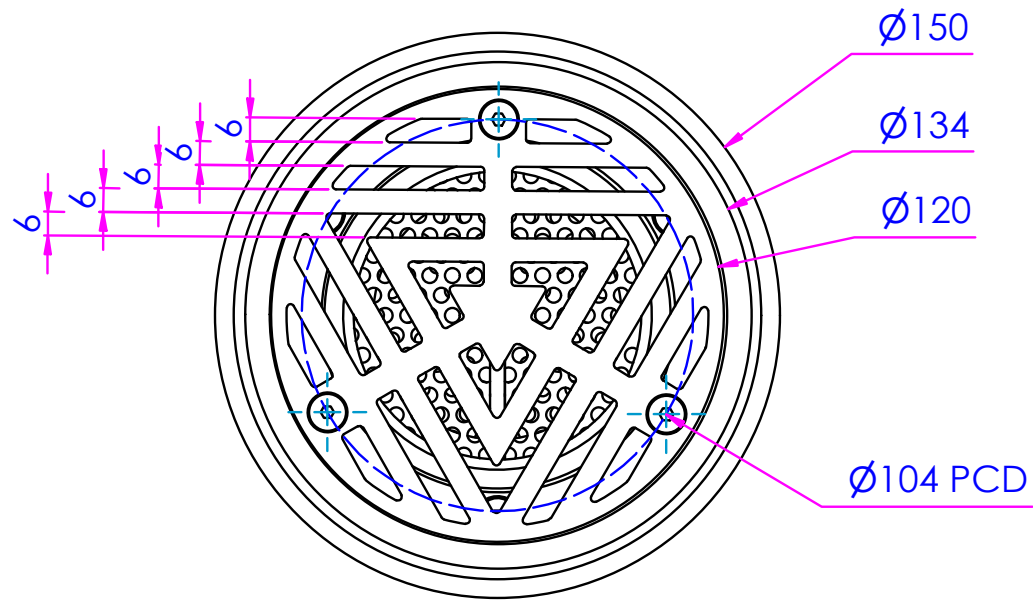
UNIT 6/24 WELLINGTON STREET  
 RIVERSTONE NSW 2765  
 P- 02 9627 6111 F- 02 9627 3111

GEN TOL  
 X +/- 5mm  
 XX +/- 25mm  
 XXX +/- 125mm

3MONKEEZ OWNS THE COPYRIGHTS TO THIS DRAWING WHICH IS ITS EXCLUSIVE PROPERTY AND WHICH IS SUPPLIED IN CONFIDENCE AND WHICH MUST NOT BE USED FOR ANY PURPOSE OTHER THAN THAT EXPRESSLY PERMITTED AND MUST NOT BE DISCLOSED OR PRODUCED WITHOUT PERMISSION FROM 3MONKEEZ. THIS DRAWING MUST BE RETURNED OR DESTROYED WHEN THE PURPOSE FOR WHICH IT IS SUPPLIED HAS CEASED.

DRAWN Alicia	05/11/2013
Revised BF	31/08/2022
APPROVED BY	
<b>THIRD ANGLE PROJECTION</b>	
ALL DIMENSIONS ARE IN MILLIMETRES UNLESS OTHERWISE STATED	

TITLE 100mm Round Push in Floor Bucket Trap with Removable Grate, Removable Basket and Fixed Strainer.	
DWG NO FW-100BRL	REGISTER No. 0012
SCALE: N.T.S	DRAWING - PART STATUS Preliminary
	REV 1
SHEET 1 OF 1	



Section View on A - A



Fixed Strainer - 103x 4mm Diameter Holes  
Removable Strainer - 101x 4mm Diameter Holes



UNIT 6/24 WELLINGTON STREET  
RIVERSTONE NSW 2765  
P- 02 9627 6111 F- 02 9627 3111

GEN TOL  
.X +/- .5mm  
.XX +/- .25mm  
.XXX +/- .125mm

3MONKEEZ OWNS THE COPYRIGHTS TO THIS DRAWING WHICH IS ITS EXCLUSIVE PROPERTY AND WHICH IS SUPPLIED IN CONFIDENCE AND WHICH MUST NOT BE USED FOR ANY PURPOSE OTHER THAN THAT EXPRESSLY PERMITTED AND MUST NOT BE DISCLOSED OR PRODUCED WITHOUT PERMISSION FROM 3MONKEEZ. THIS DRAWING MUST BE RETURNED OR DESTROYED WHEN THE PURPOSE FOR WHICH IT IS SUPPLIED HAS CEASED.

DRAWN  
Alicia  
Revised  
Bill Frost

15/11/2013  
05/09/2022

APPROVED BY



THIRD ANGLE PROJECTION

ALL DIMENSIONS ARE IN MILLIMETRES UNLESS OTHERWISE STATED

F:\3MDesign\FVFW\FW-100VRBT\FW-100VRBT 220905.dwg

TITLE  
100mm Round Vinyl Floor Bucket Trap with Removable Grate, Removable Basket and Fixed Strainer.

DWG NO  
FW-100VRBT

REGISTER No.  
0012

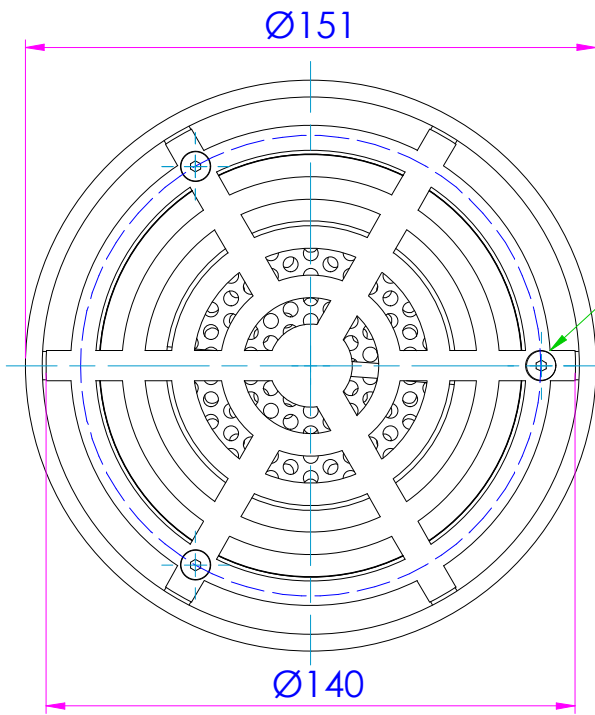
REMOVE ALL SHARP EDGES UNLESS NOTED OTHERWISE

SCALE:  
N.T.S

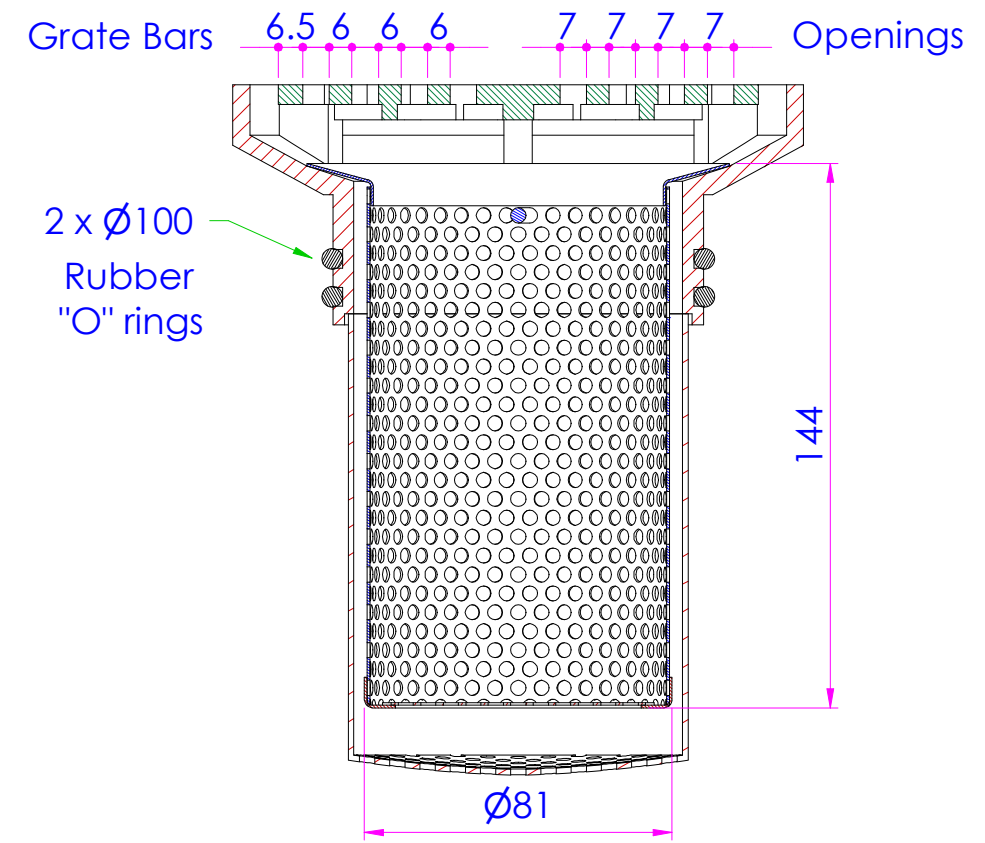
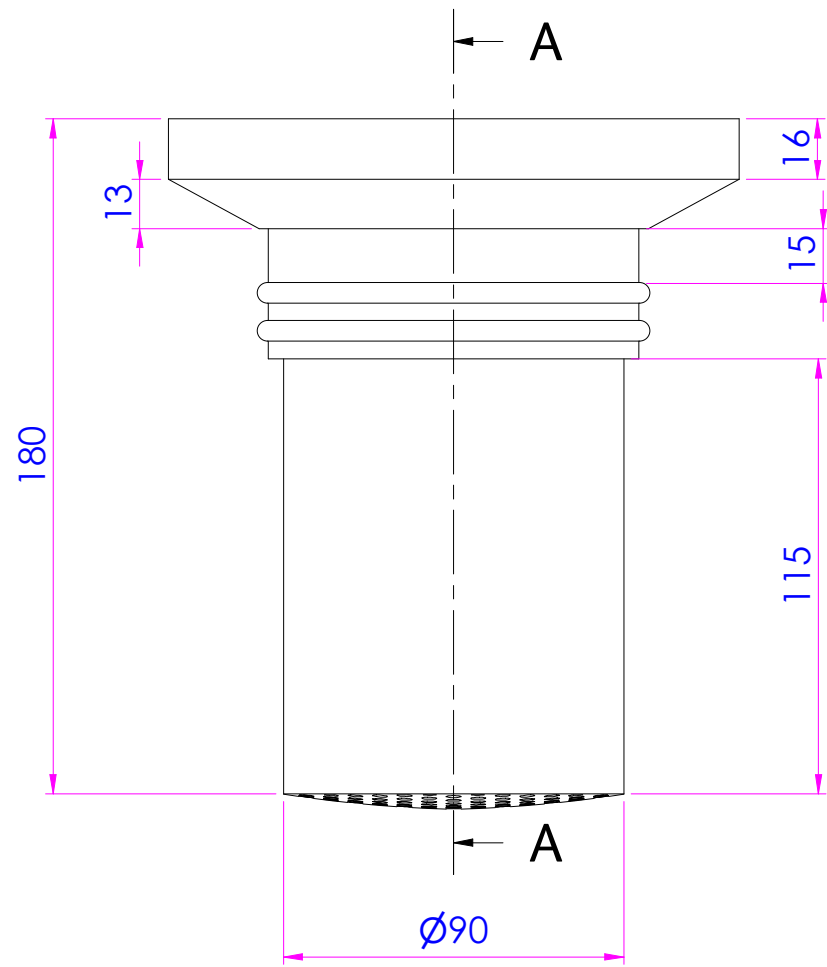
DRAWING - PART STATUS  
Preliminary

REV  
1

SHEET 1 OF 1



3 x Screws  
122 PCD



Section view on A - A

Fixed Strainer - 100 x 4mm Diameter Holes  
Removable Strainer - 611 x 4mm Diameter Holes



UNIT 6/24 WELLINGTON STREET  
RIVERSTONE NSW 2765  
P- 02 9627 6111 F- 02 9627 3111

GEN TOL  
.X +/- .5mm  
.XX +/- .25mm  
.XXX +/- .125mm

3MONKEEZ OWNS THE COPYRIGHTS TO THIS DRAWING WHICH IS ITS EXCLUSIVE PROPERTY AND WHICH IS SUPPLIED IN CONFIDENCE AND WHICH MUST NOT BE USED FOR ANY PURPOSE OTHER THAN THAT EXPRESSLY PERMITTED AND MUST NOT BE DISCLOSED OR PRODUCED WITHOUT PERMISSION FROM 3MONKEEZ. THIS DRAWING MUST BE RETURNED OR DESTROYED WHEN THE PURPOSE FOR WHICH IT IS SUPPLIED HAS CEASED.

DRAWN  
Alicia  
Revised  
BF

02/09/2016  
12/09/2022

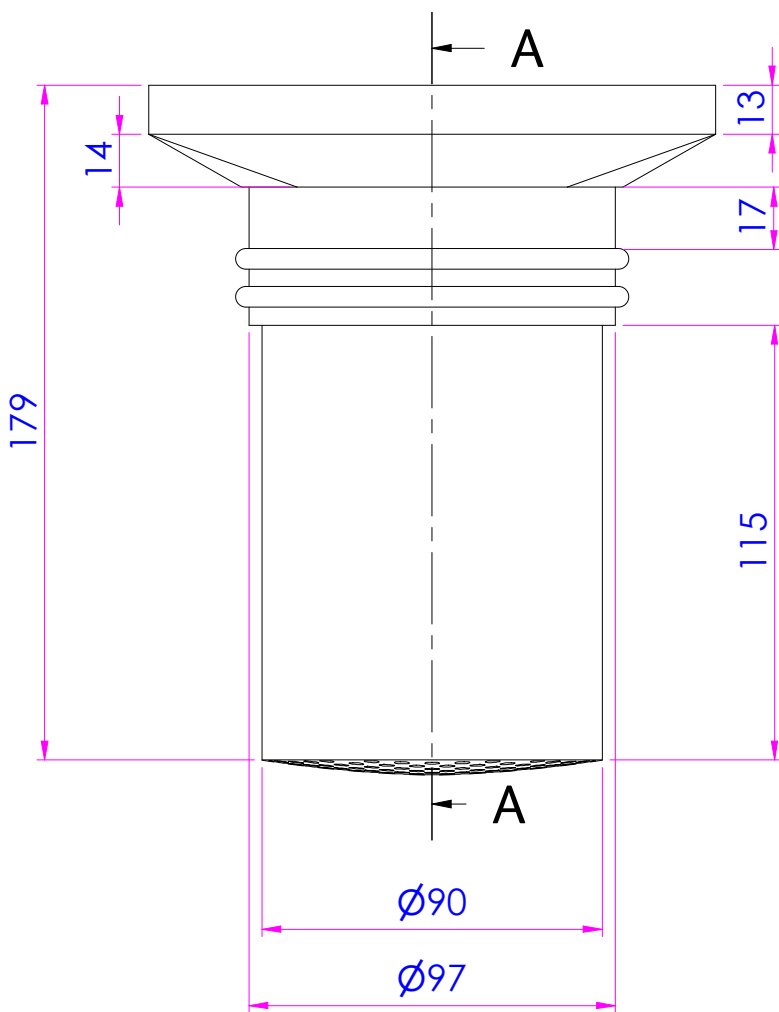
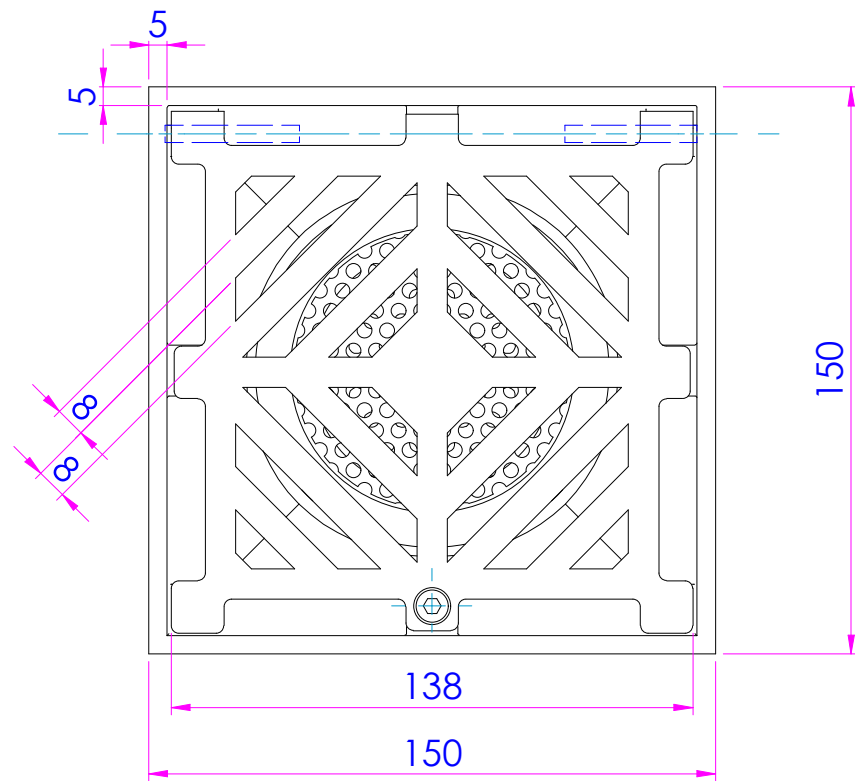
APPROVED BY

THIRD ANGLE PROJECTION

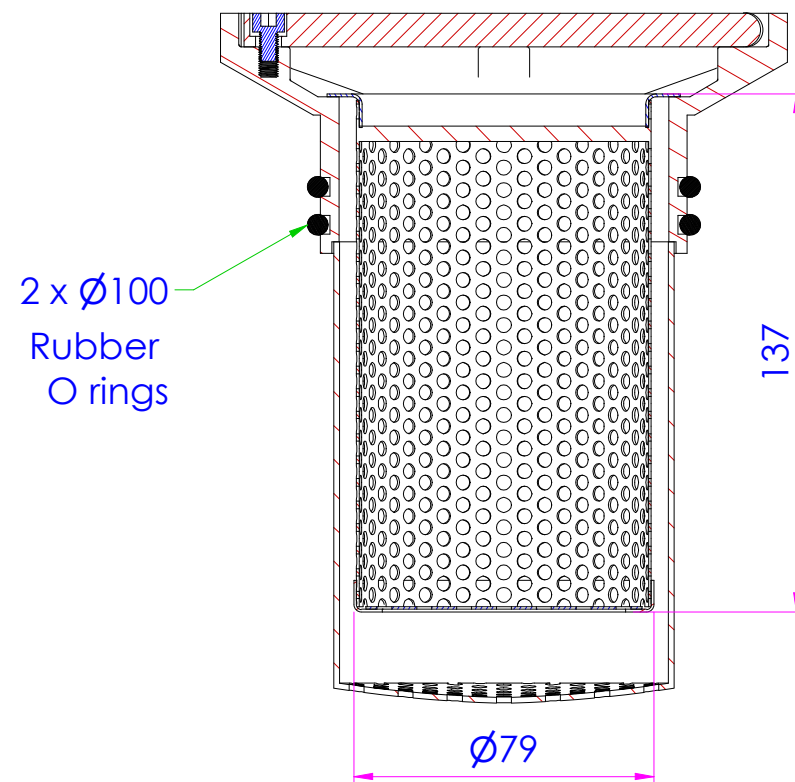
ALL DIMENSIONS ARE IN MILLIMETRES UNLESS OTHERWISE STATED

F:\3MDesign\FVFWFW-150BR\FW-150BR 220912.dwg

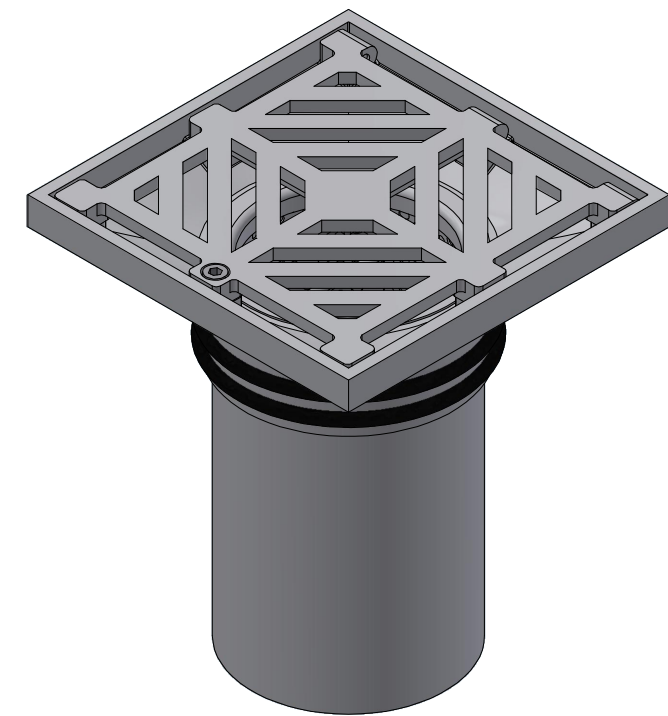
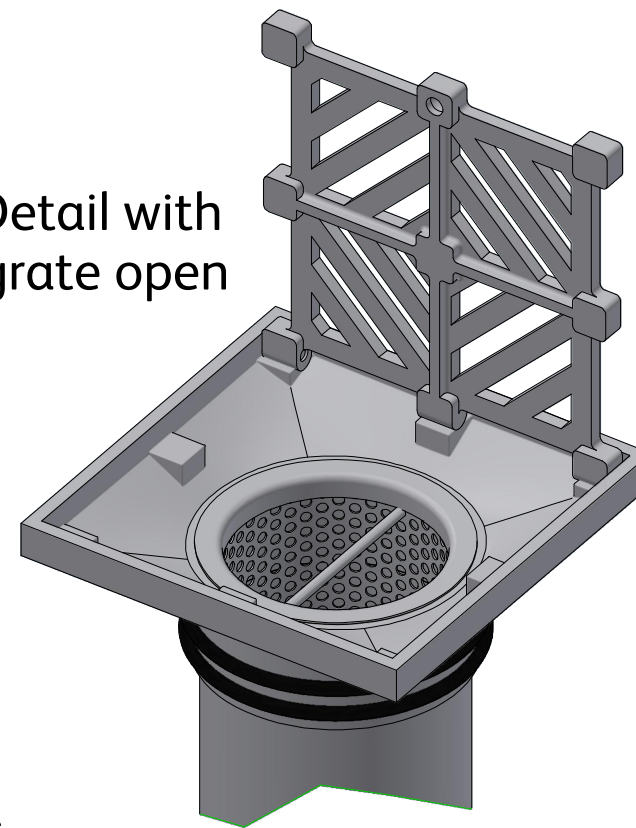
TITLE 150mm Round Floor Bucket Trap with Removable Grate, Removable Basket and Fixed Strainer.		REGISTER No. 0012
DWG NO FW-150BR		REMOVE ALL SHARP EDGES UNLESS NOTED OTHERWISE
SCALE: N.T.S	DRAWING - PART STATUS Preliminary	REV 1
SHEET 1 OF 1		



Section View on A - A



Detail with grate open



304 grade stainless steel

Fixed Strainer - 105 x 4mm Diameter Holes  
Removable Strainer - 622 x 4mm Diameter Holes



UNIT 6/24 WELLINGTON STREET  
RIVERSTONE NSW 2765  
P- 02 9627 6111 F- 02 9627 3111

GEN TOL  
.X +/- .5mm  
.XX +/- .25mm  
.XXX +/- .125mm

DRAWN  
Alicia  
Revised  
BF

12/11/2013  
13/09/2022

TITLE  
150mm Square Floor Bucket Trap with Hinged  
Grate, Removable Basket and Fixed Strainer.

APPROVED BY



THIRD ANGLE PROJECTION

ALL DIMENSIONS ARE IN MILLIMETRES  
UNLESS OTHERWISE STATED

F:\3MDesign\FVFWFW-150BS\FW-150BS 220913.dwg

DWG NO  
FW-150BS

REGISTER No.  
0012

REMOVE ALL SHARP  
EDGES UNLESS NOTED  
OTHERWISE

SCALE:  
N.T.S

DRAWING - PART STATUS  
Preliminary

REV  
1

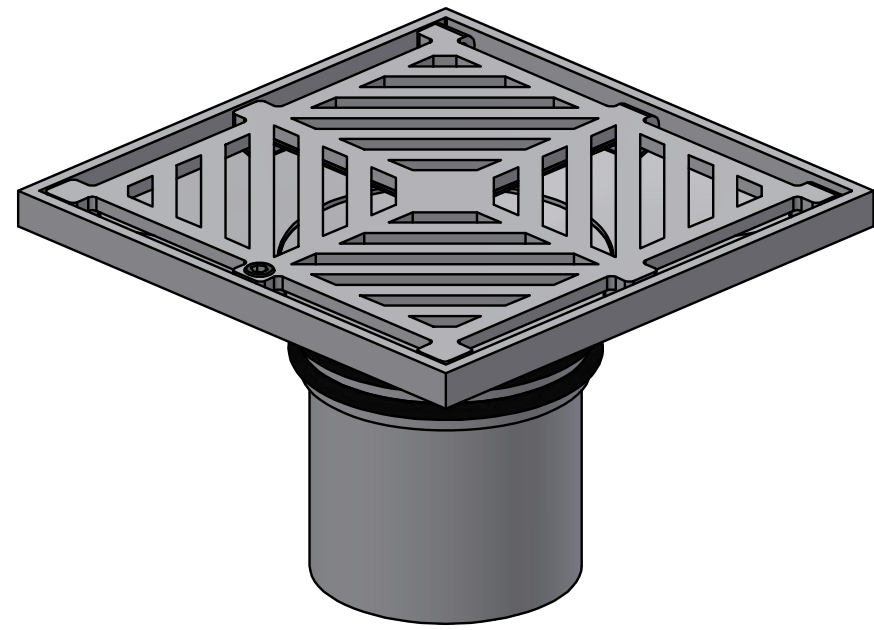
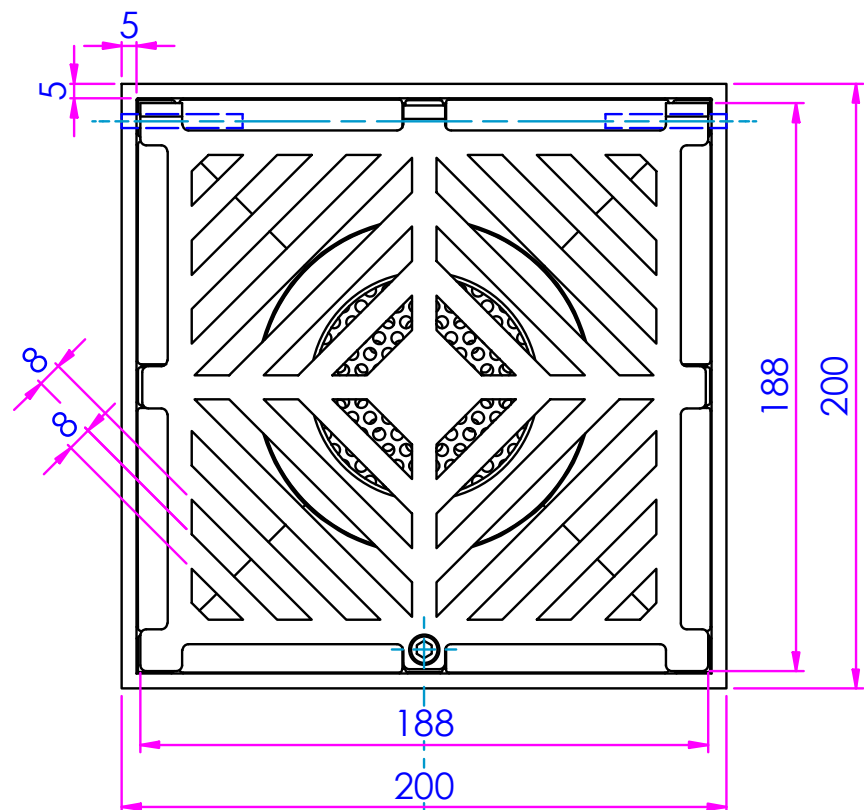
SHEET 1 OF 1



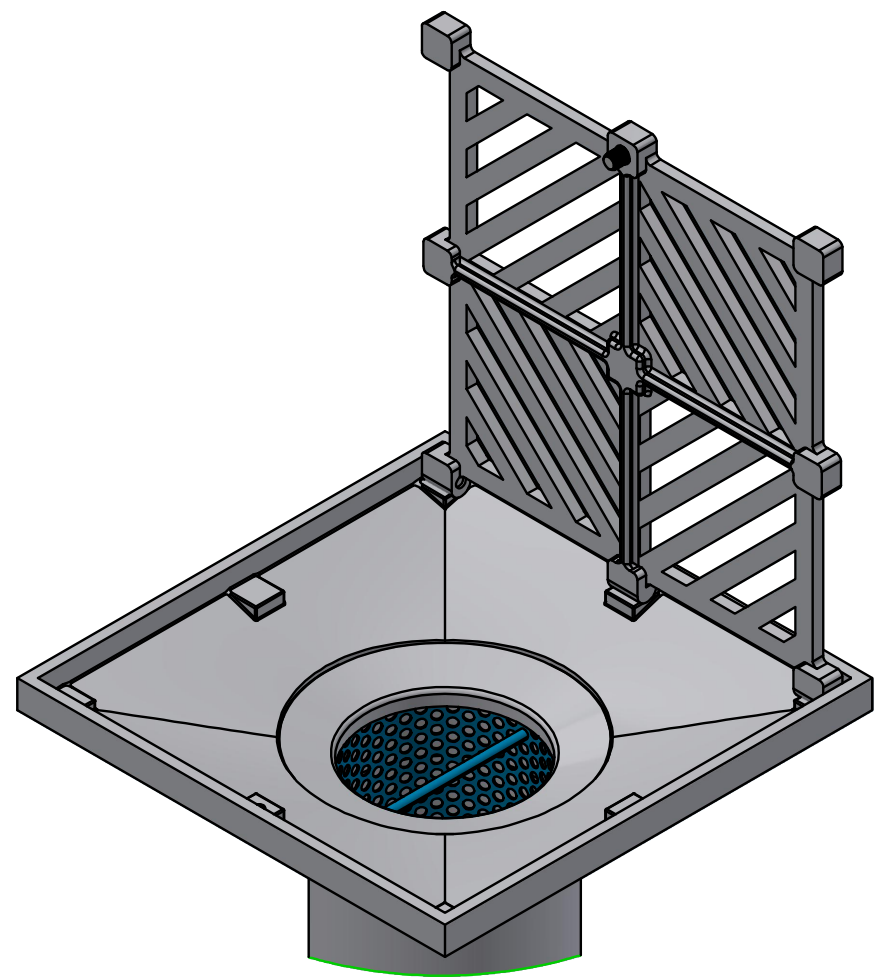
6 5 4 3 2 1

D

D



Detail with grate open

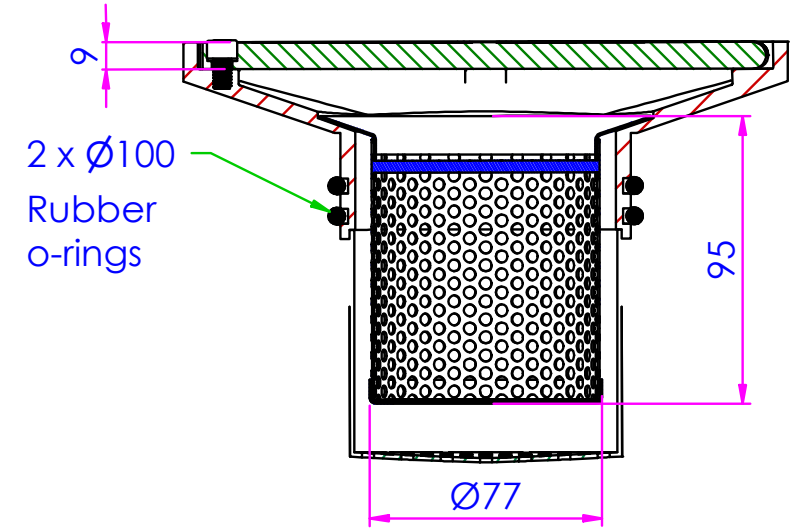
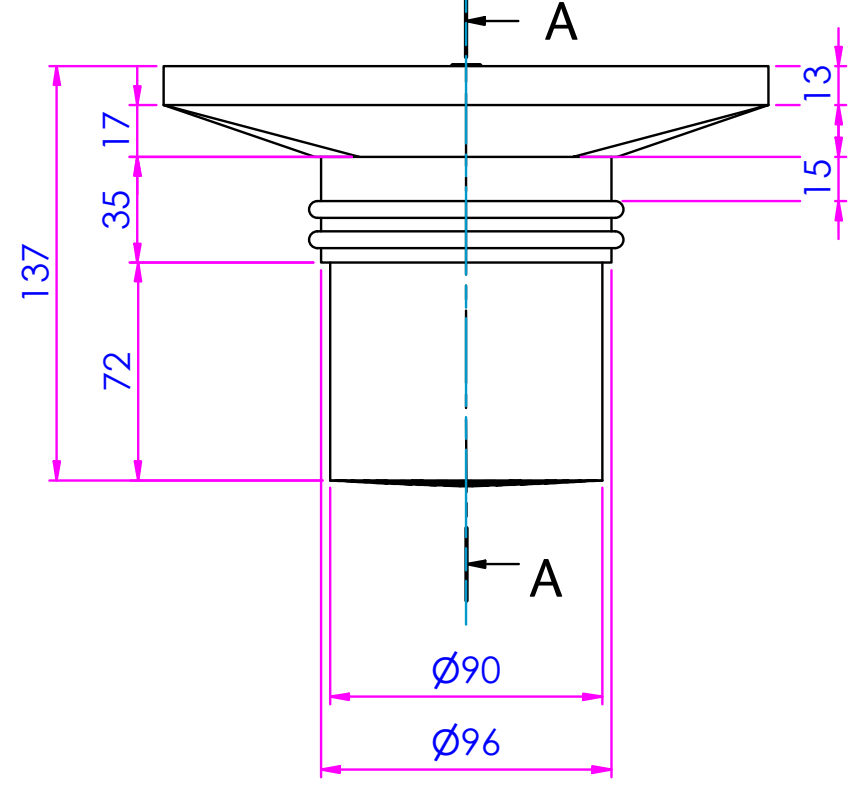


C

C

B

B



Section View on A - A

304 or 316 grade stainless steel as per model code

Fixed Strainer - 103x 4mm Diameter Holes  
Removable Strainer - 65x 4mm Diameter Holes



UNIT 6/24 WELLINGTON STREET  
RIVERSTONE NSW 2765  
P- 02 9627 6111 F- 02 9627 3111

GEN TOL  
.X +/- .5mm  
.XX +/- .25mm  
.XXX +/- .125mm

DRAWN  
Alicia  
Revised  
BF

TITLE  
200mm Square Floor Bucket Trap with Hinged Grate, Removable Basket and Fixed Strainer.

APPROVED BY

DWG NO  
FW-200BS-304  
FW-200BS-316

THIRD ANGLE PROJECTION  
ALL DIMENSIONS ARE IN MILLIMETRES UNLESS OTHERWISE STATED

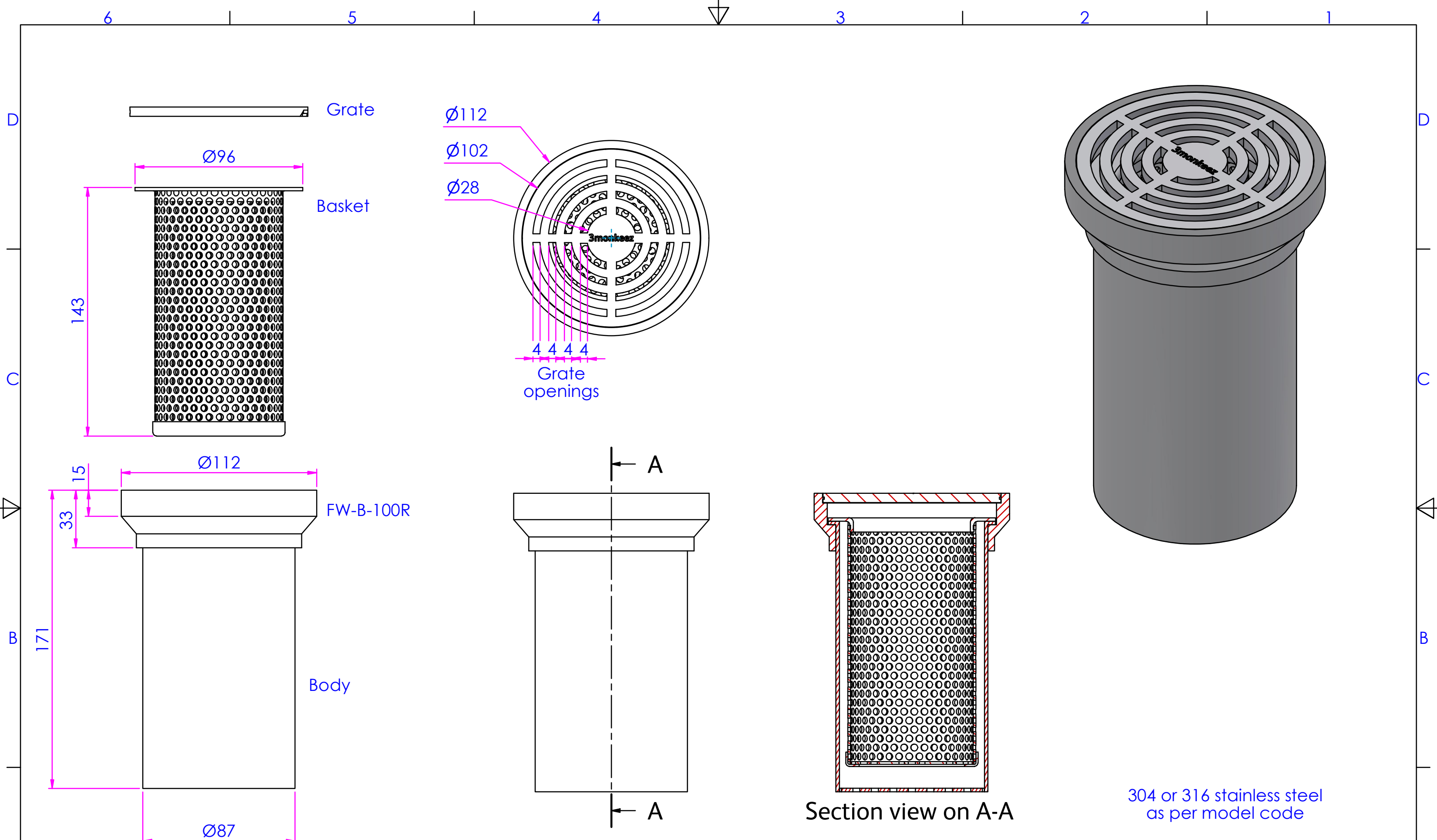
SCALE: N.T.S  
DRAWING - PART STATUS  
Preliminary

F:\3MDesign\FVFW-200BS\FW-200BS-304 and FW-200BS-316 220916.dwg  
REGISTER No. 0012  
REV 1  
SHEET 1 OF 1

6 5 4 3 2 1

A

A



Fixed Strainer - 163x 4mm Diameter Holes  
 Removable Strainer - 975x 4mm Diameter Holes

**3monkeez**  
 innovate. create. deliver.

UNIT 6/24 WELLINGTON STREET  
 RIVERSTONE NSW 2765  
 P- 02 9627 6111 F- 02 9627 3111

GEN TOL  
 .X +/- .5mm  
 .XX +/- .25mm  
 .XXX +/- .125mm

3MONKEEZ OWNS THE COPYRIGHTS TO THIS DRAWING WHICH IS ITS EXCLUSIVE PROPERTY AND WHICH IS SUPPLIED IN CONFIDENCE AND WHICH MUST NOT BE USED FOR ANY PURPOSE OTHER THAN THAT EXPRESSLY PERMITTED AND MUST NOT BE DISCLOSED OR PRODUCED WITHOUT PERMISSION FROM 3MONKEEZ. THIS DRAWING MUST BE RETURNED OR DESTROYED WHEN THE PURPOSE FOR WHICH IT IS SUPPLIED HAS CEASED.

DRAWN  
 Bill Frost  
 Revised  
 BF

1/9/2021  
 31/08/2022

APPROVED BY

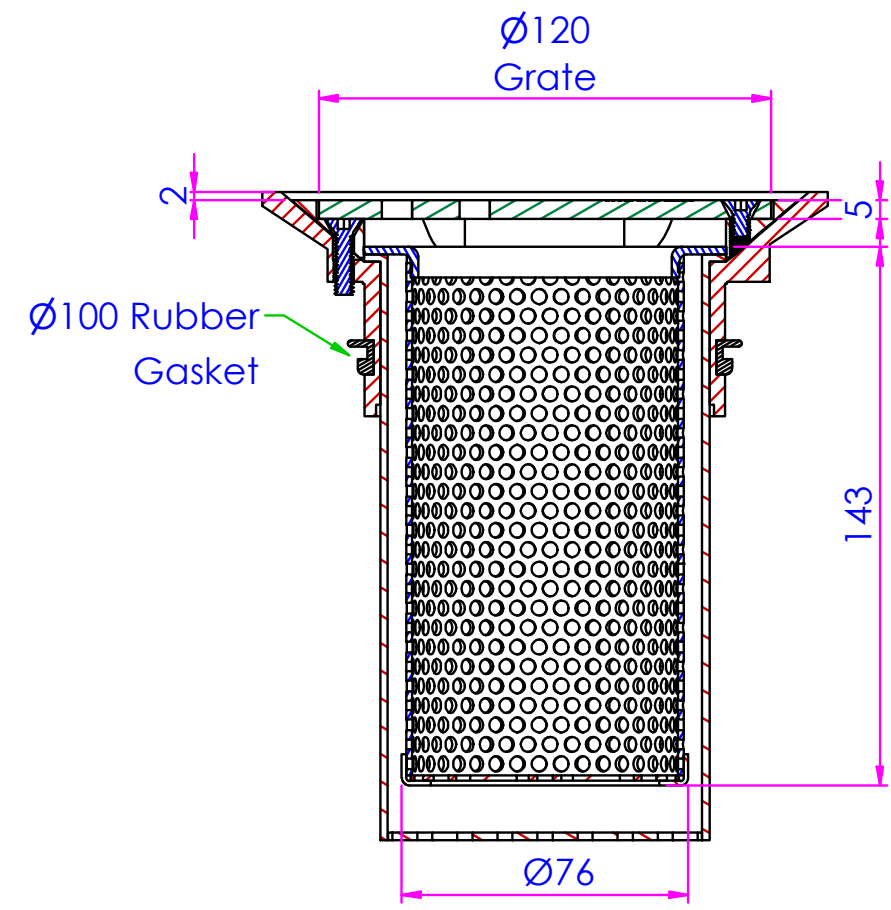
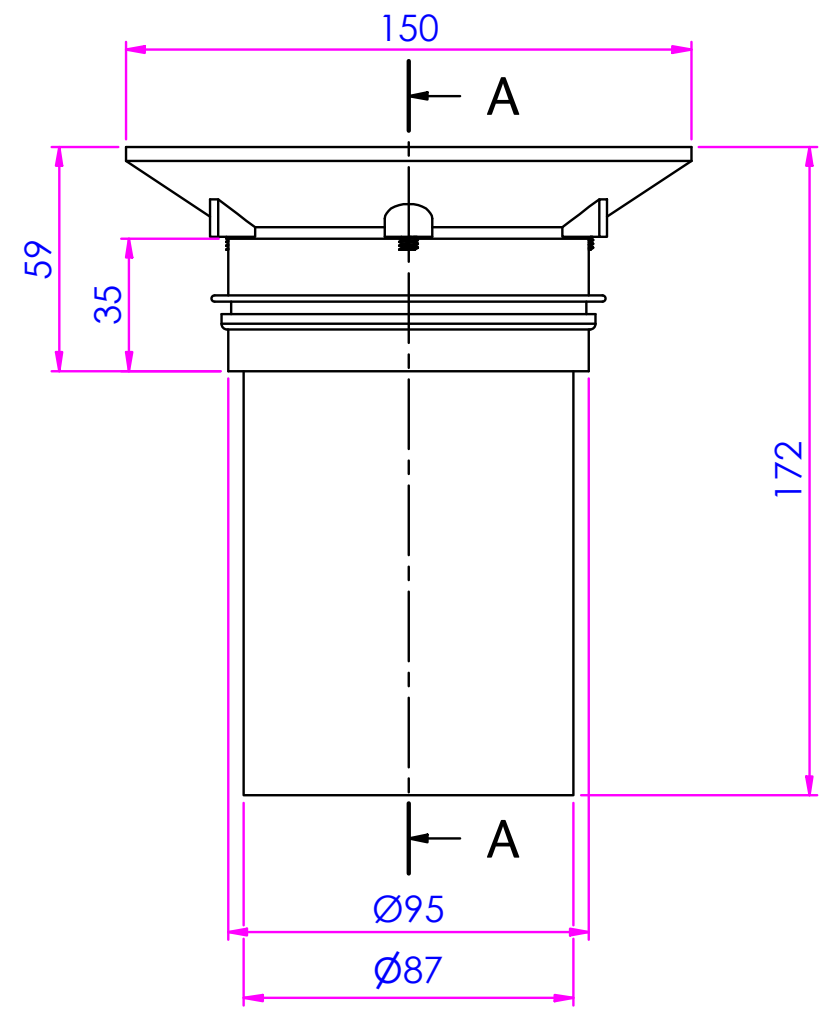
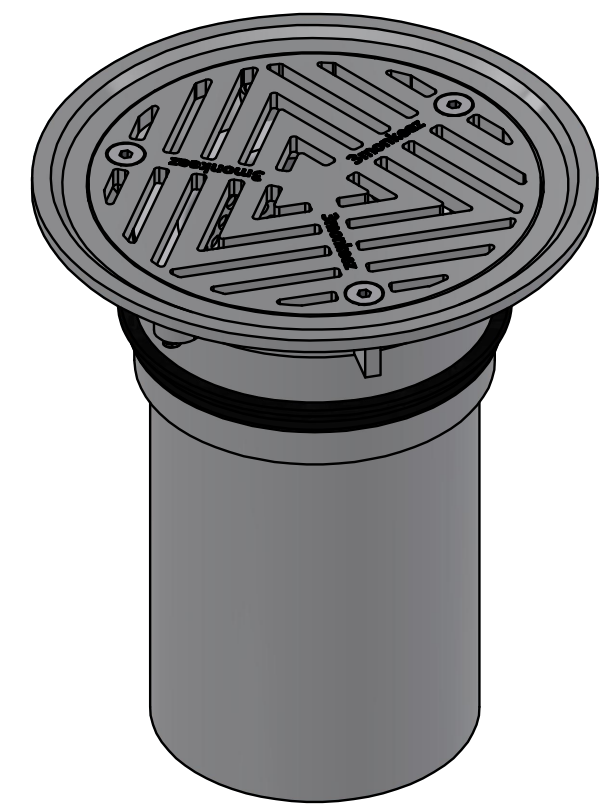
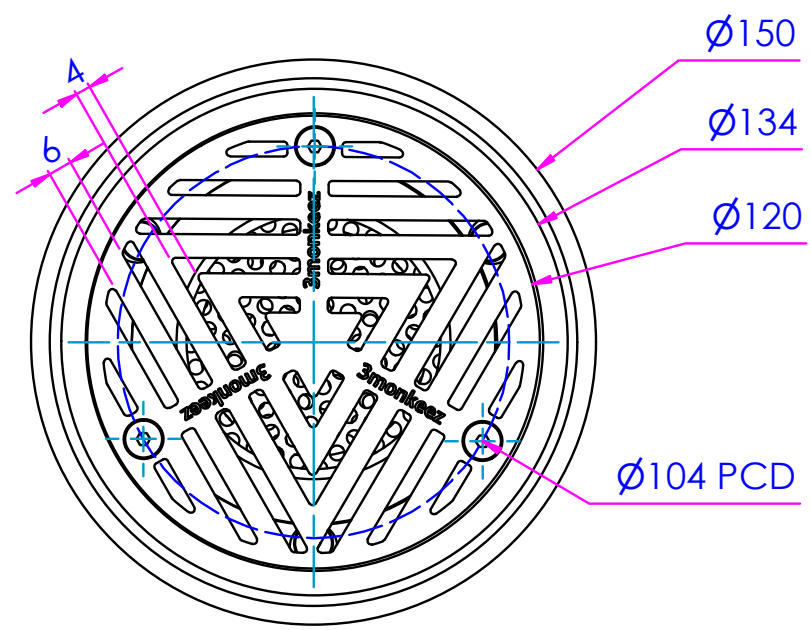
THIRD ANGLE PROJECTION

ALL DIMENSIONS ARE IN MILLIMETRES UNLESS OTHERWISE STATED

TITLE 100mm Round Push in Floor Bucket Trap with Removable Grate, Removable Basket and Fixed Strainer.		REGISTER No. 0012
DWG NO FW-100BRL-304 and 316		REMOVE ALL SHARP EDGES UNLESS NOTED OTHERWISE
SCALE N.T.S	DRAWING - PART STATUS Preliminary	REV 1
F:\3MDesign\FVFW\FW-100BRL\FW-100BRL-304 and FW-100BRL-316 220831.dwg		SHEET 1 OF 1

304 or 316 stainless steel  
 as per model code

Section view on A-A



Section View on A - A

Fixed Strainer - 163x 4mm Diameter Holes  
Removable Strainer - 975x 4mm Diameter Holes



UNIT 6/24 WELLINGTON STREET  
RIVERSTONE NSW 2765  
P- 02 9627 6111 F- 02 9627 3111

GEN TOL  
.X +/- 5mm  
.XX +/- 25mm  
.XXX +/- 125mm

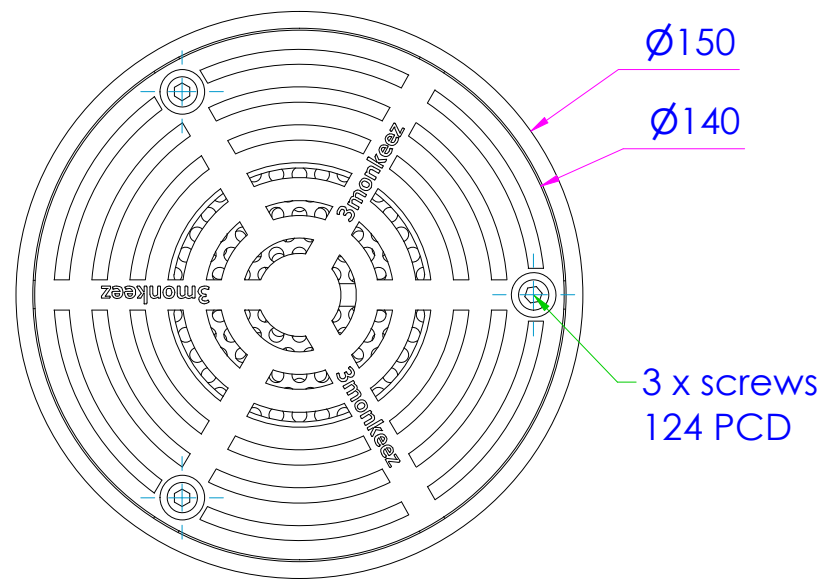
3MONKEEZ OWNS THE COPYRIGHTS TO THIS DRAWING WHICH IS ITS EXCLUSIVE PROPERTY AND WHICH IS SUPPLIED IN CONFIDENCE AND WHICH MUST NOT BE USED FOR ANY PURPOSE OTHER THAN THAT EXPRESSLY PERMITTED AND MUST NOT BE DISCLOSED OR PRODUCED WITHOUT PERMISSION FROM 3MONKEEZ. THIS DRAWING MUST BE RETURNED OR DESTROYED WHEN THE PURPOSE FOR WHICH IT IS SUPPLIED HAS CEASED.

DRAWN Alicia	1/03/2019
Revised Bill Frost	7/09/2022
APPROVED BY	
THIRD ANGLE PROJECTION	
ALL DIMENSIONS ARE IN MILLIMETRES UNLESS OTHERWISE STATED	

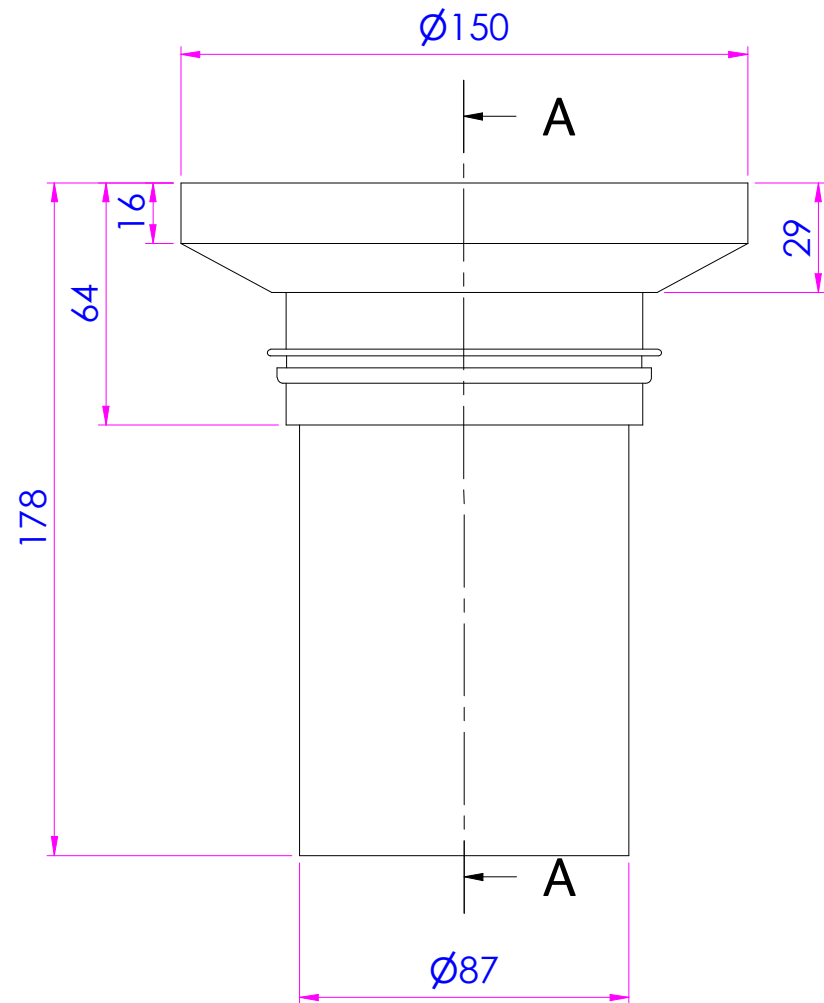
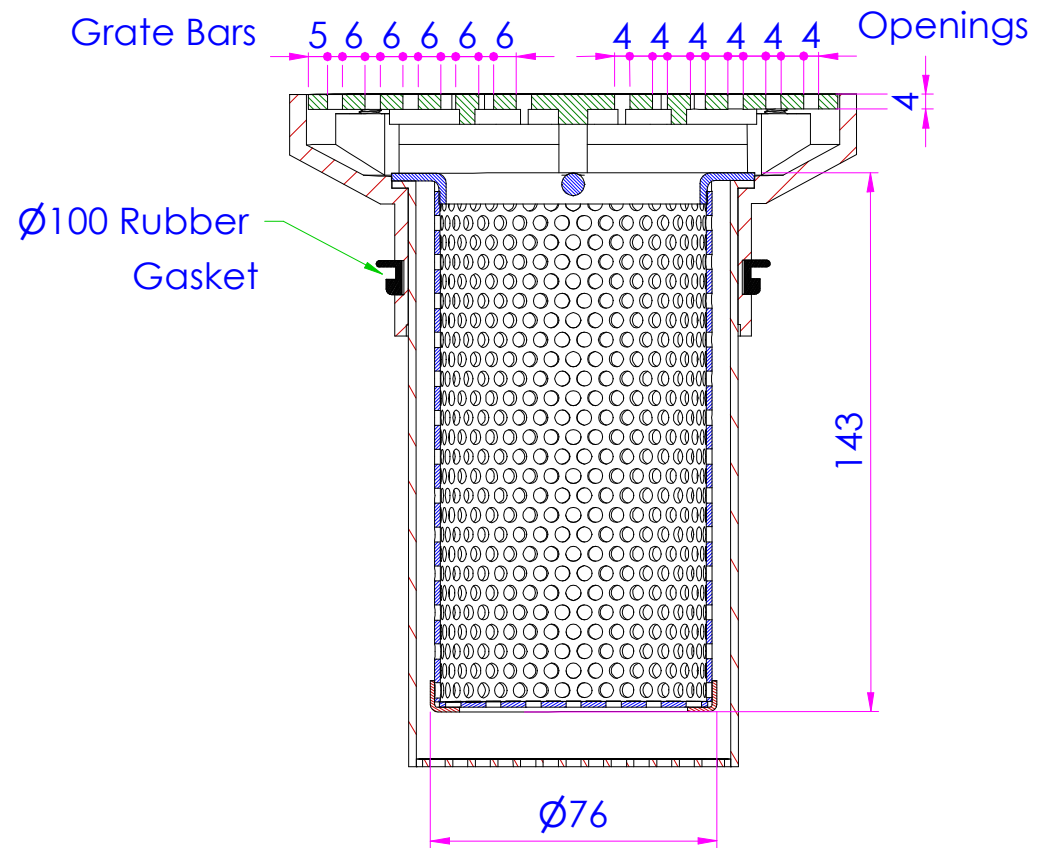
TITLE 100mm Round Vinyl Floor Bucket Trap with Grate, Removable Basket and Fixed Strainer.	
DWG NO FW-100VRBT 304 and 316	REGISTER No. 0012
SCALE: N.T.S	DRAWING - PART STATUS Preliminary
	REV 1

F:\3MDesign\FVFW\FW-100VRBT\FW-100VRBT 304 and 316 220907.dwg





Section view on A - A



304 or 316 grade stainless steel  
as per model code

Fixed Strainer - 163x 4mm Diameter Holes  
Removable Strainer - 975x 4mm Diameter Holes



UNIT 6/24 WELLINGTON STREET  
RIVERSTONE NSW 2765  
P- 02 9627 6111 F- 02 9627 3111

GEN TOL  
.X +/- .5mm  
.XX +/- .25mm  
.XXX +/- .125mm

3MONKEEZ OWNS THE COPYRIGHTS TO THIS DRAWING WHICH IS ITS EXCLUSIVE PROPERTY AND WHICH IS SUPPLIED IN CONFIDENCE AND WHICH MUST NOT BE USED FOR ANY PURPOSE OTHER THAN THAT EXPRESSLY PERMITTED AND MUST NOT BE DISCLOSED OR PRODUCED WITHOUT PERMISSION FROM 3MONKEEZ. THIS DRAWING MUST BE RETURNED OR DESTROYED WHEN THE PURPOSE FOR WHICH IT IS SUPPLIED HAS CEASED.

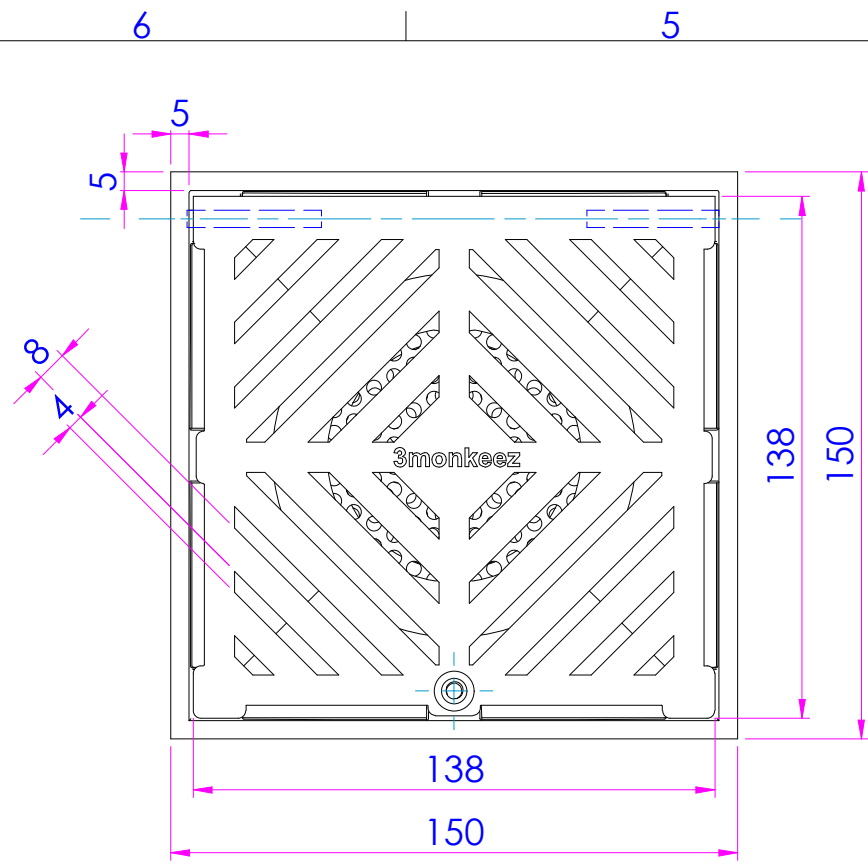
DRAWN Alicia Revised BF	3/2/2018 12/09/2022
APPROVED BY 	
<b>THIRD ANGLE PROJECTION</b>	
ALL DIMENSIONS ARE IN MILLIMETRES UNLESS OTHERWISE STATED	

TITLE 150mm Round Floor Bucket Trap with Removable Grate, Removable Basket and Fixed Strainer.	
DWG NO FW-150BR-304 FW-150BR-316	REGISTER No. 0012
SCALE: N.T.S	DRAWING - PART STATUS Preliminary
REV 1	

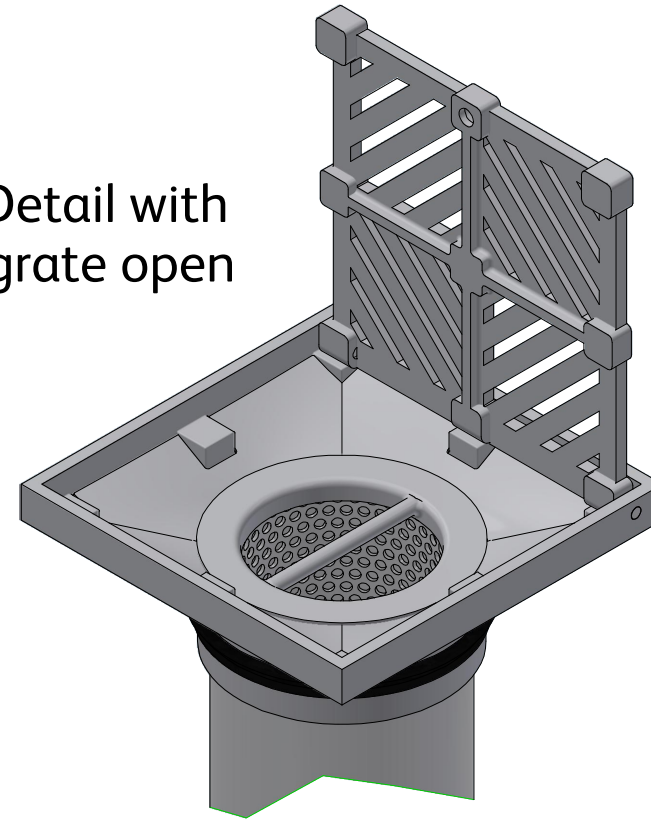
F:\3MDesign\FVFWFW-150BR\FW-150BR-304 and FW-150BR-316 220912.dwg

SHEET 1 OF 1

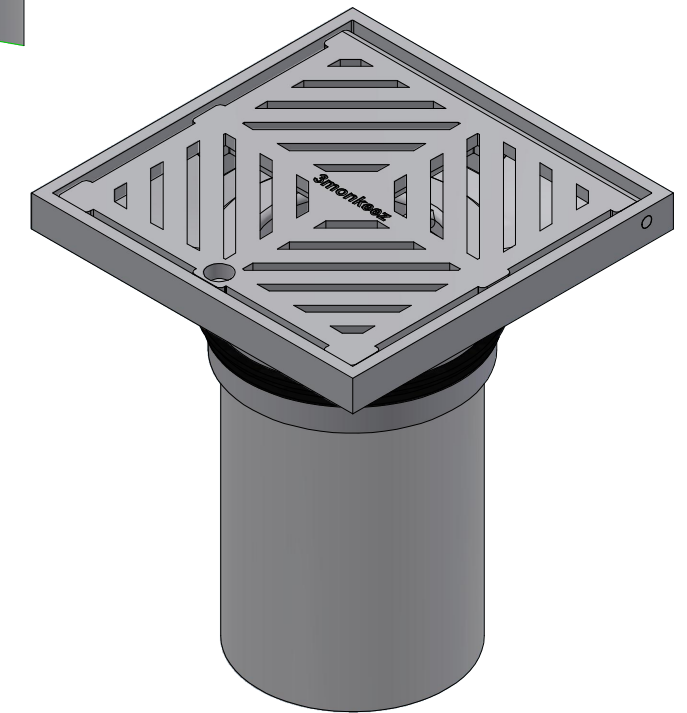
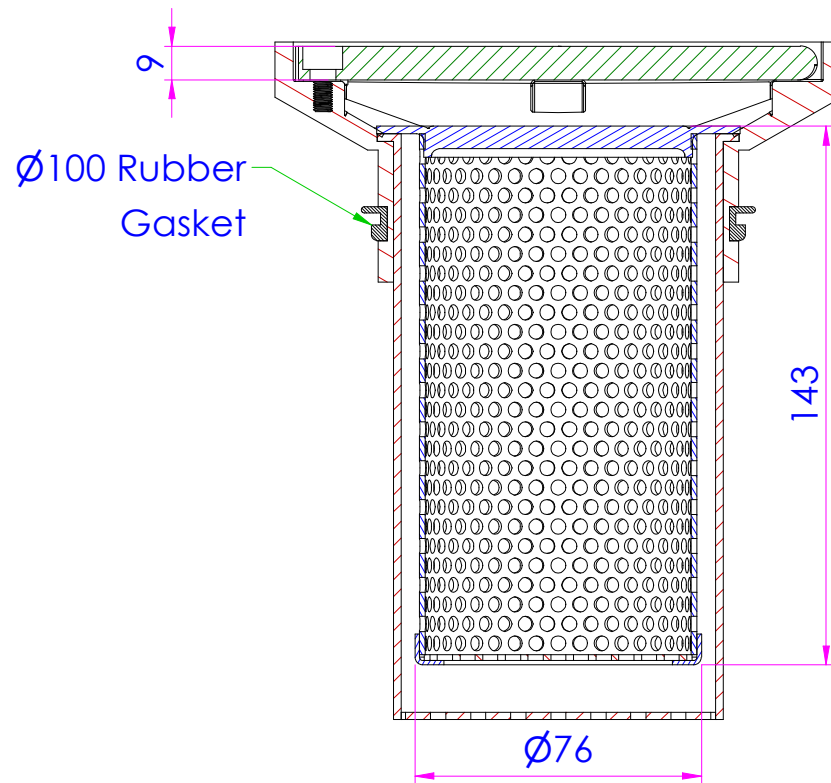




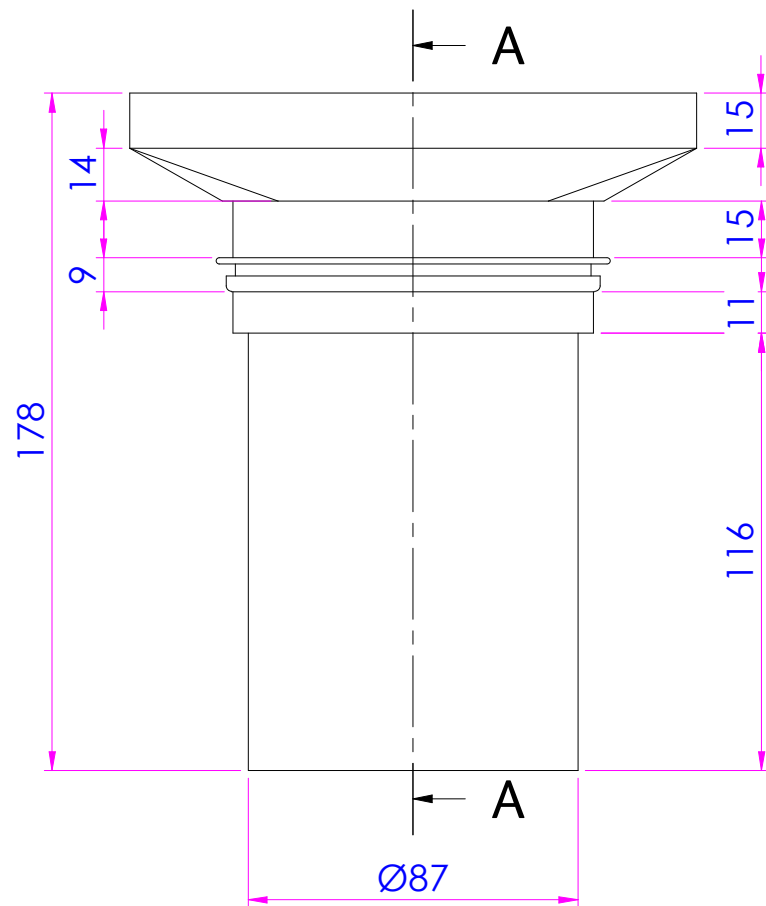
Detail with grate open



Section View on A - A



304 or 316 grade stainless steel as per model code



Fixed Strainer - 163x 4mm Diameter Holes  
Removable Strainer - 975x 4mm Diameter Holes



UNIT 6/24 WELLINGTON STREET  
RIVERSTONE NSW 2765  
P- 02 9627 6111 F- 02 9627 3111

GEN TOL  
.X +/- .5mm  
.XX +/- .25mm  
.XXX +/- .125mm

DRAWN  
Alicia

3/02/2018  
Revised  
BF

APPROVED BY



THIRD ANGLE PROJECTION

ALL DIMENSIONS ARE IN MILLIMETRES UNLESS OTHERWISE STATED

TITLE  
150mm Square Floor Bucket Trap with Hinged Grate, Removable Basket and Fixed Strainer.

DWG NO  
FW-150BS-304  
FW-150BS-316

REGISTER No.  
0012

REMOVE ALL SHARP EDGES UNLESS NOTED OTHERWISE

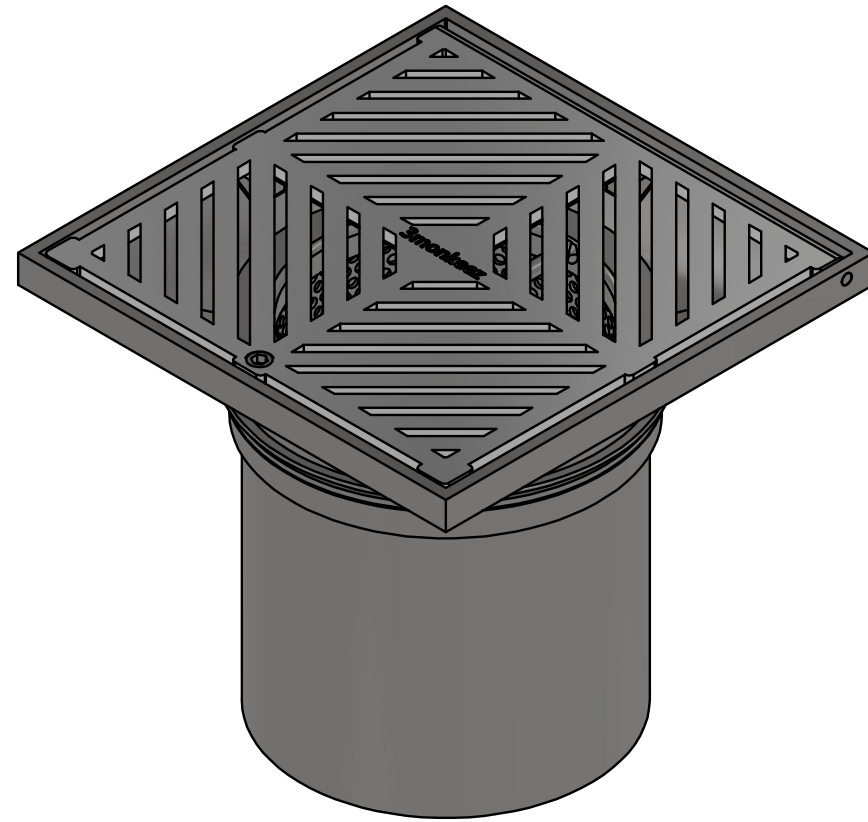
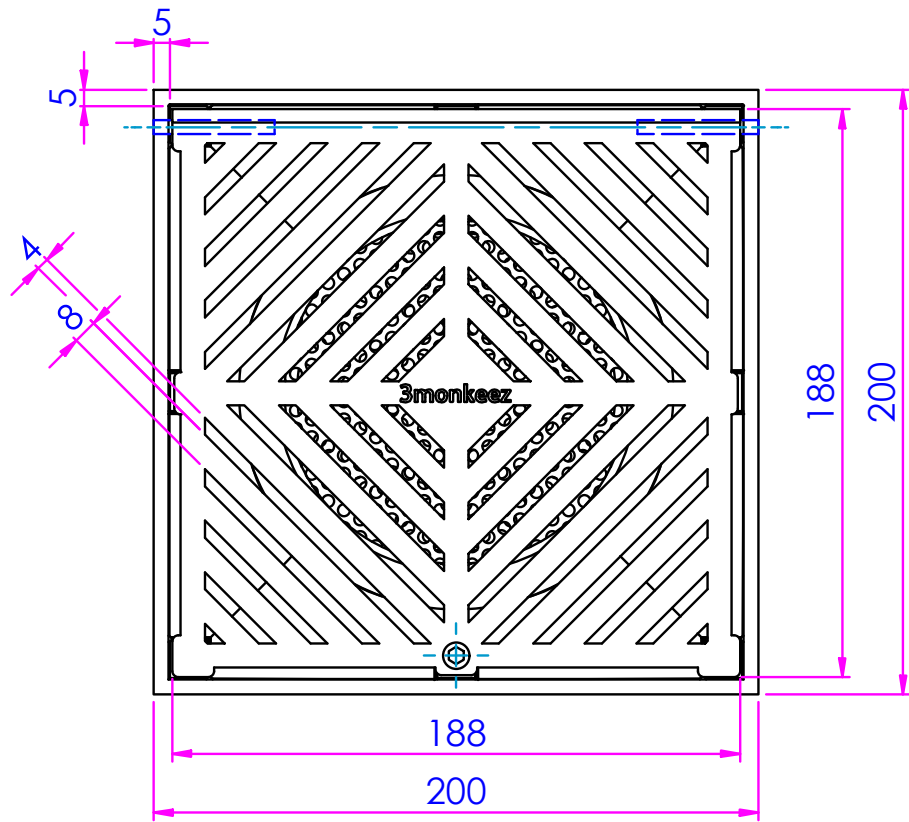
SCALE:  
N.T.S

DRAWING - PART STATUS  
Preliminary

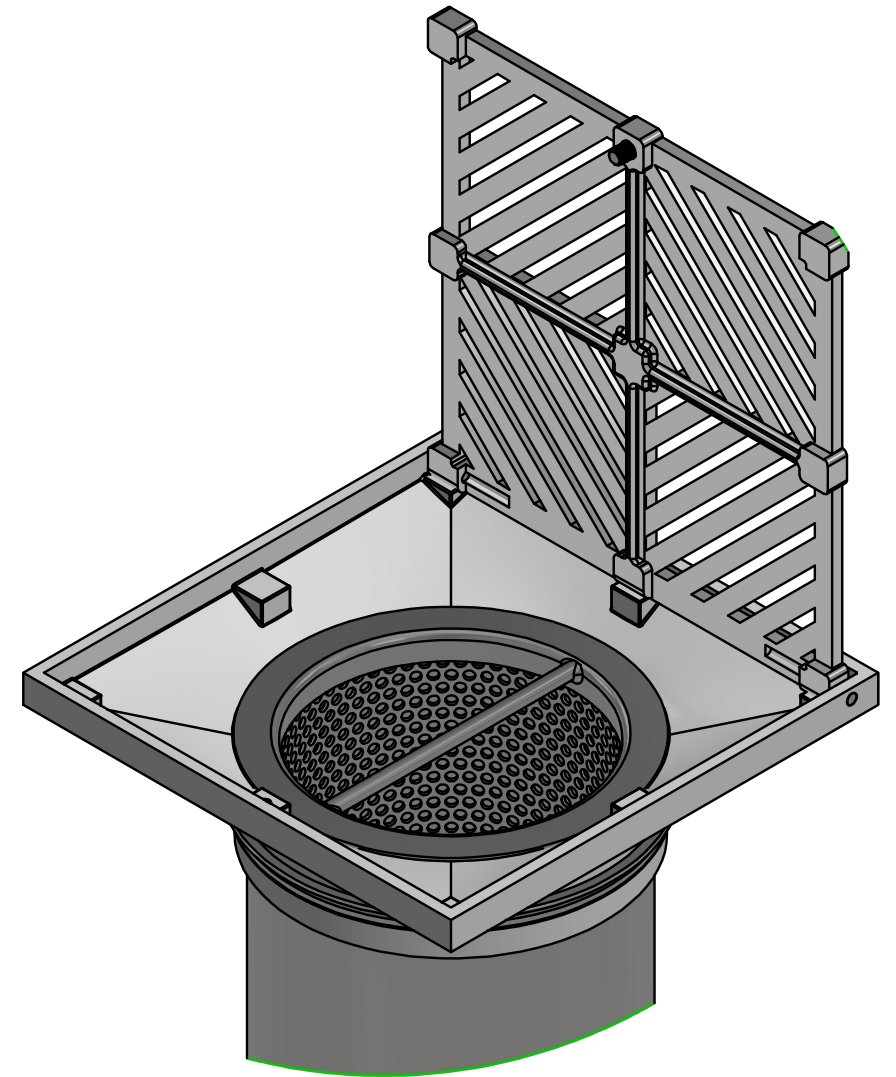
REV  
1

F:\3MDesign\FVFWFW-150BS\FW-150BS-304 and FW150BS-316 220913.dwg

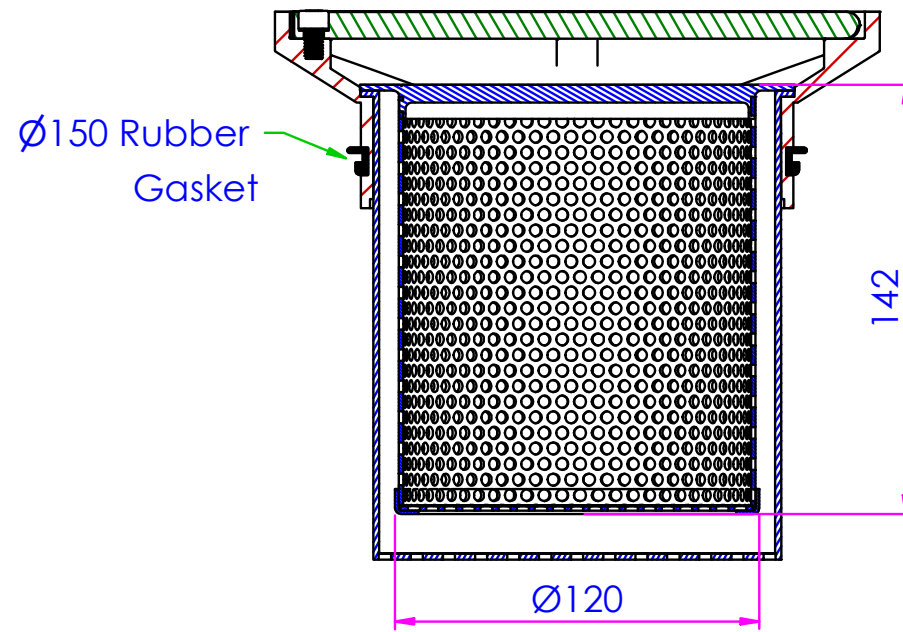
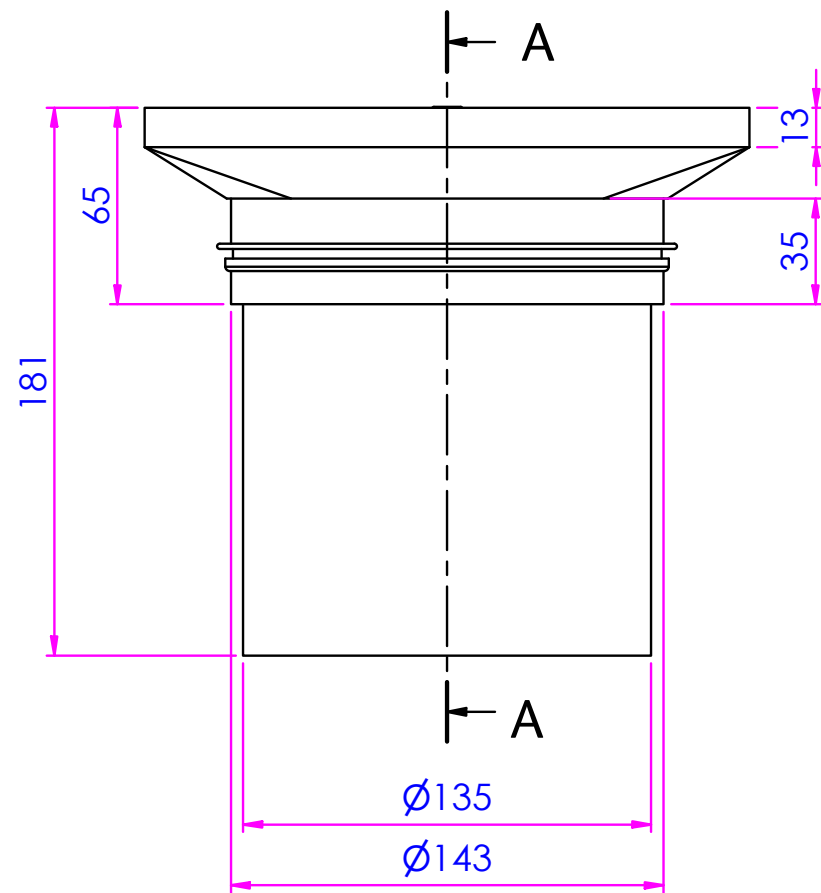
SHEET 1 OF 1



Detail with grate open



304 or 316 grade stainless steel as per model code



Section View on A - A

Fixed Strainer - 408x 4mm Diameter Holes  
Removable Strainer - 1675x 4mm Diameter Holes



UNIT 6/24 WELLINGTON STREET  
RIVERSTONE NSW 2765  
P- 02 9627 6111 F- 02 9627 3111

GEN TOL  
.X +/- .5mm  
.XX +/- .25mm  
.XXX +/- .125mm

3MONKEEZ OWNS THE COPYRIGHTS TO THIS DRAWING WHICH IS ITS EXCLUSIVE PROPERTY AND WHICH IS SUPPLIED IN CONFIDENCE AND WHICH MUST NOT BE USED FOR ANY PURPOSE OTHER THAN THAT EXPRESSLY PERMITTED AND MUST NOT BE DISCLOSED OR PRODUCED WITHOUT PERMISSION FROM 3MONKEEZ. THIS DRAWING MUST BE RETURNED OR DESTROYED WHEN THE PURPOSE FOR WHICH IT IS SUPPLIED HAS CEASED.

DRAWN  
Alicia  
Revised  
BF

17/01/2019  
14/09/2022

APPROVED BY



THIRD ANGLE PROJECTION

ALL DIMENSIONS ARE IN MILLIMETRES UNLESS OTHERWISE STATED

TITLE  
200mm Square Floor Bucket Trap with Hinged Grate, Removable Basket and Fixed Strainer.

DWG NO  
FW-200BS-150-304  
FW-200BS-150-316

REGISTER No.  
0012

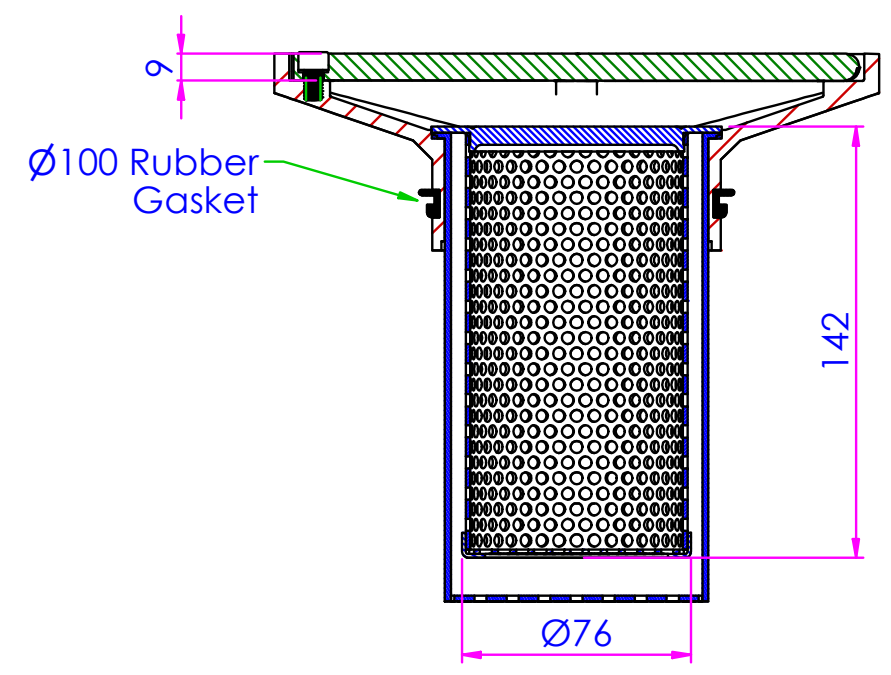
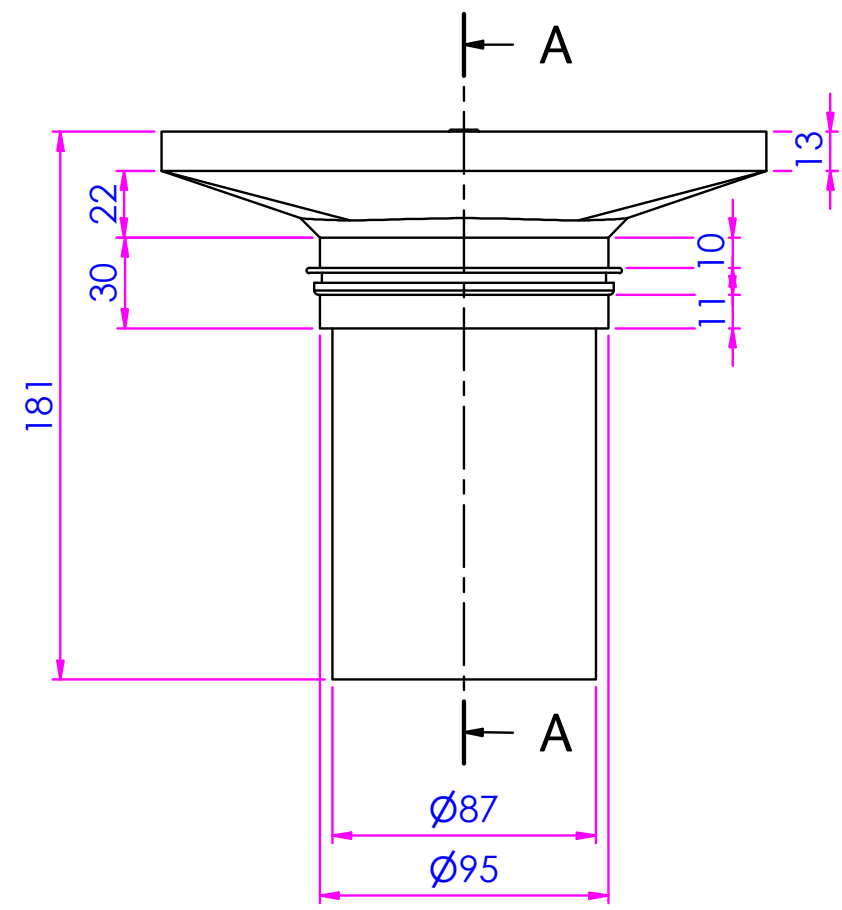
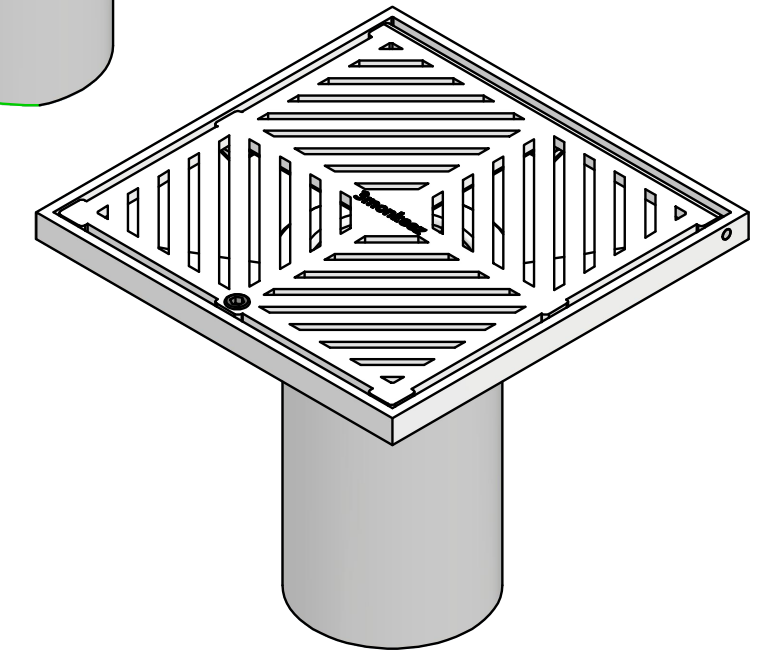
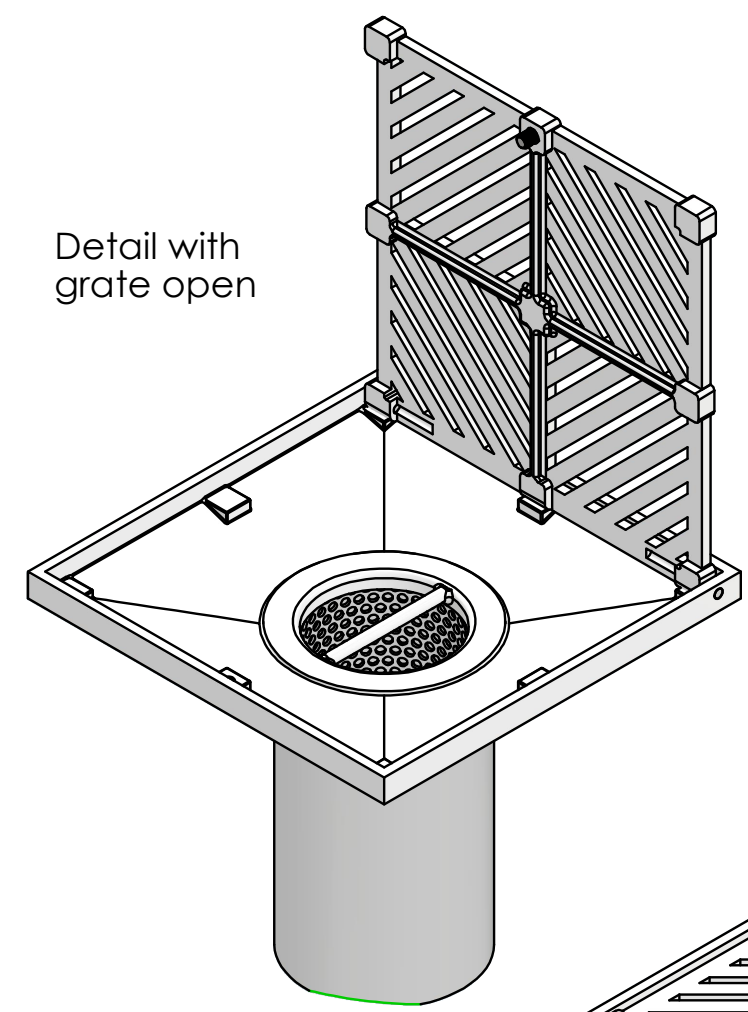
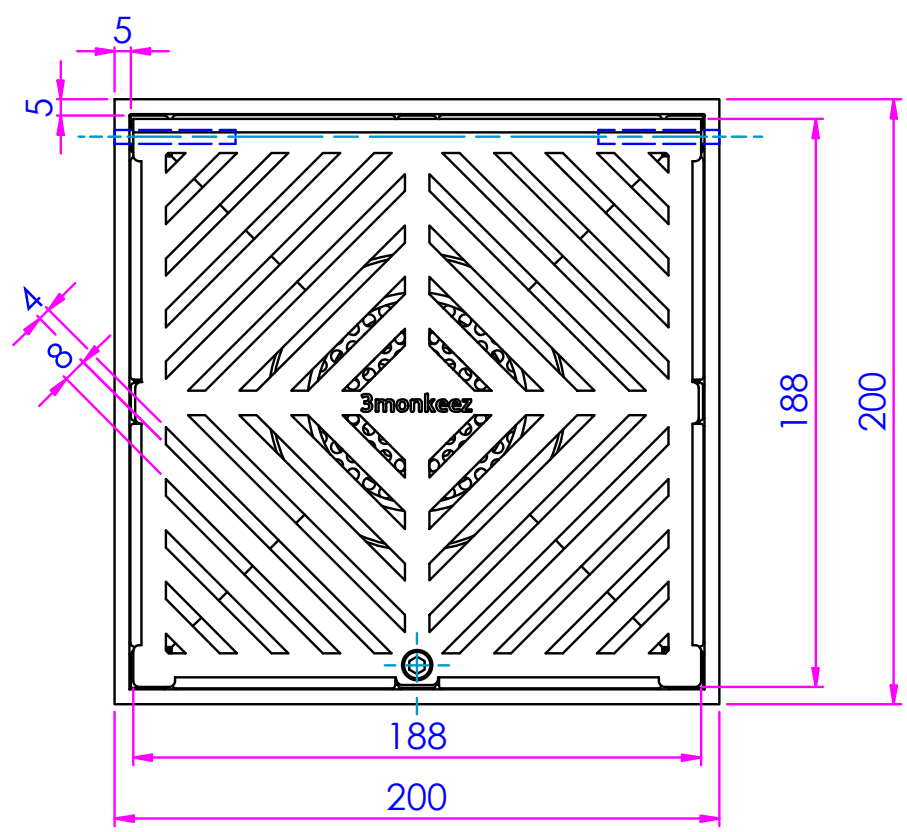
REMOVE ALL SHARP EDGES UNLESS NOTED OTHERWISE

SCALE: N.T.S  
DRAWING - PART STATUS  
Preliminary

REV  
1

F:\3MDesign\FVFWFW-200BS-150\FW-200BS-150-304 and FW-200BS-150-316 220914.dwg

SHEET 1 OF 1



Fixed Strainer - 163x 4mm Diameter Holes  
Removable Strainer - 975x 4mm Diameter Holes

Section View on A - A

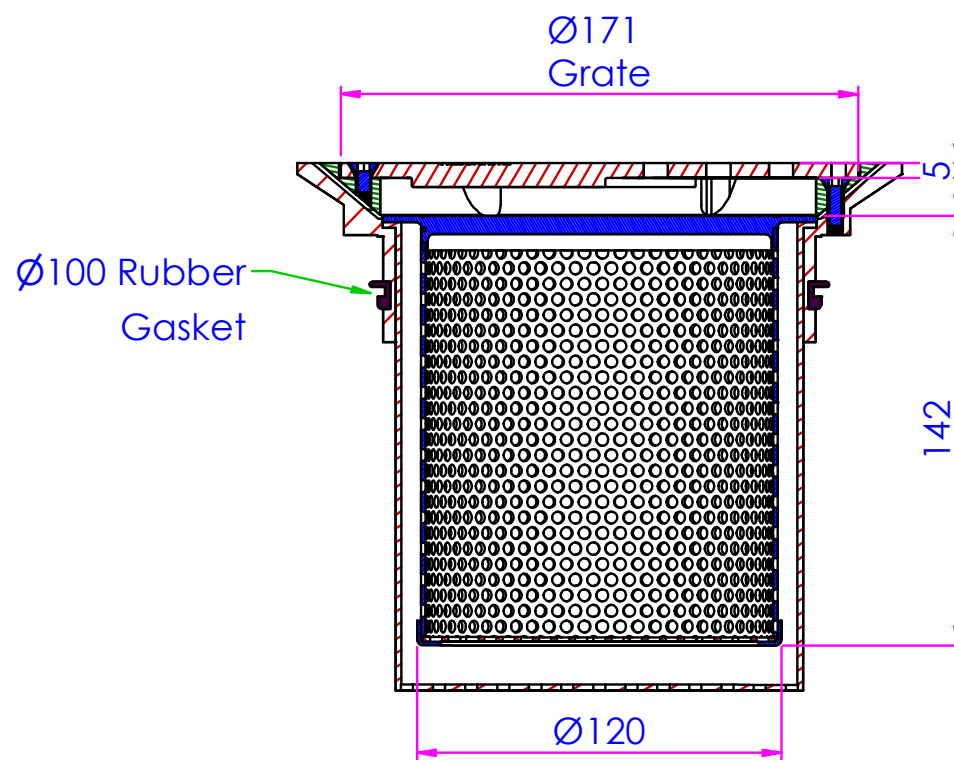
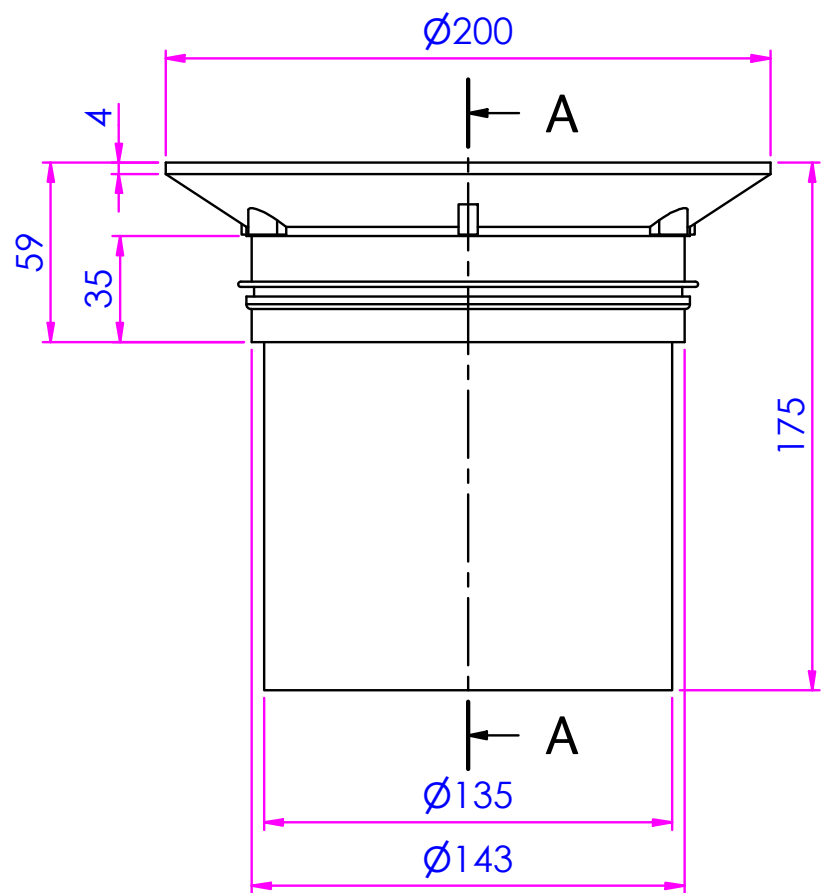
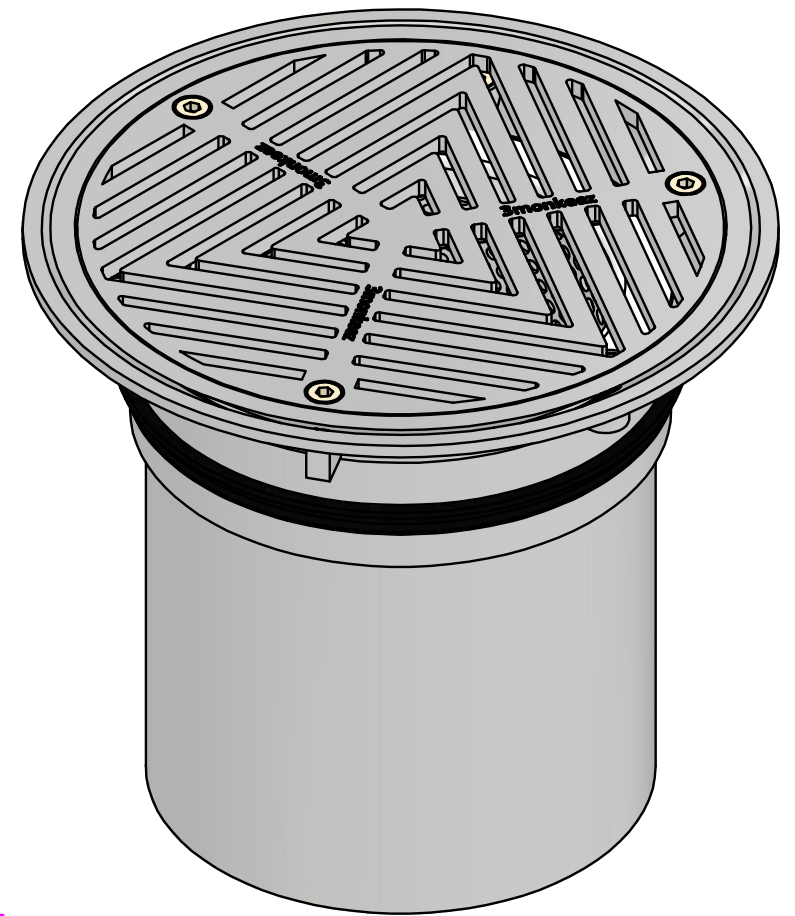
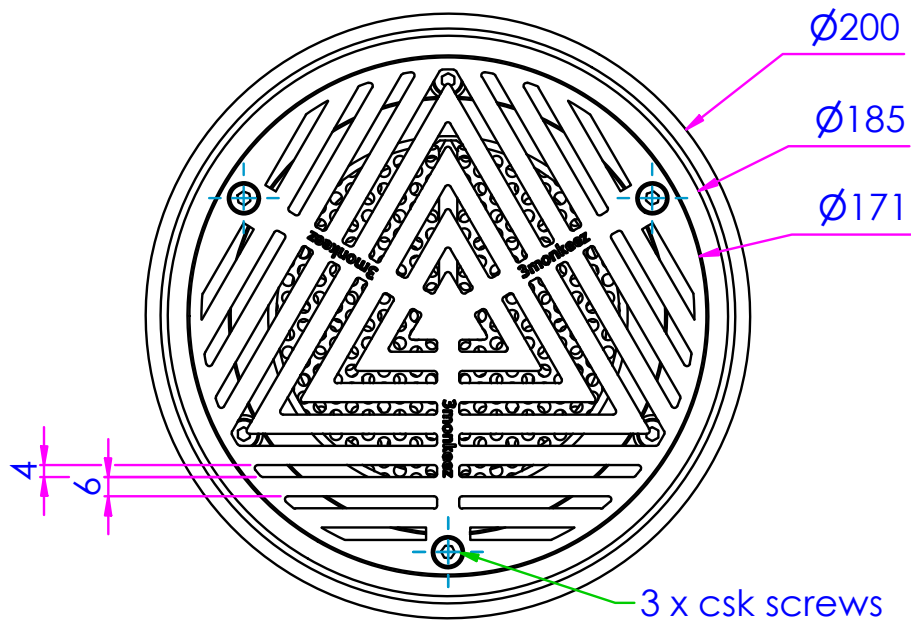
304 or 316 grade stainless steel  
as per model code



UNIT 6/24 WELLINGTON STREET  
RIVERSTONE NSW 2765  
P- 02 9627 6111 F- 02 9627 3111

GEN TOL .X +/- 5mm .XX +/- 25mm .XXX +/- 125mm		DRAWN Alicia Revised Bill Frost	14/05/2018  14/09/2022	TITLE 200mm Square Floor Bucket Trap with Hinged Grate, Removable Basket and Fixed Strainer.
<small>3MONKEEZ OWNS THE COPYRIGHTS TO THIS DRAWING WHICH IS ITS EXCLUSIVE PROPERTY AND WHICH IS SUPPLIED IN CONFIDENCE AND WHICH MUST NOT BE USED FOR ANY PURPOSE OTHER THAN THAT EXPRESSLY PERMITTED AND MUST NOT BE DISCLOSED OR PRODUCED WITHOUT PERMISSION FROM 3MONKEEZ. THIS DRAWING MUST BE RETURNED OR DESTROYED WHEN THE PURPOSE FOR WHICH IT IS SUPPLIED HAS CEASED.</small>		APPROVED BY 	DWG NO FW-200BSM-304 FW-200BSM-316	REGISTER No. 0012 <small>REMOVE ALL SHARP EDGES UNLESS NOTED OTHERWISE</small>
ALL DIMENSIONS ARE IN MILLIMETRES UNLESS OTHERWISE STATED		THIRD ANGLE PROJECTION	SCALE: N.T.S	DRAWING - PART STATUS Preliminary
F:\3MDesign\FVFW\FW-200BS\FW-200BSM-304 and FW-200BSM-316 220914.dwg				REV 1
SHEET 1 OF 1				





Section View on A - A

Fixed Strainer - 408x 4mm Diameter Holes  
 Removable Strainer - 1675x 4mm Diameter Holes



UNIT 6/24 WELLINGTON STREET  
 RIVERSTONE NSW 2765  
 P- 02 9627 6111 F- 02 9627 3111

GEN TOL  
 .X +/- .5mm  
 .XX +/- .25mm  
 .XXX +/- .125mm

3MONKEEZ OWNS THE COPYRIGHTS TO THIS DRAWING WHICH IS ITS EXCLUSIVE PROPERTY AND WHICH IS SUPPLIED IN CONFIDENCE AND WHICH MUST NOT BE USED FOR ANY PURPOSE OTHER THAN THAT EXPRESSLY PERMITTED AND MUST NOT BE DISCLOSED OR PRODUCED WITHOUT PERMISSION FROM 3MONKEEZ. THIS DRAWING MUST BE RETURNED OR DESTROYED WHEN THE PURPOSE FOR WHICH IT IS SUPPLIED HAS CEASED.

DRAWN  
 Alicia  
 Revised  
 Bill Frost

29/03/2018  
 19/09/2022

APPROVED BY

**THIRD ANGLE PROJECTION**  
 ALL DIMENSIONS ARE IN MILLIMETRES UNLESS OTHERWISE STATED

F:\3MDesign\FW\FW-200VRBT-150\FW-200VRBT-150-304 and FW-200VRBT-150-316 220919.dwg

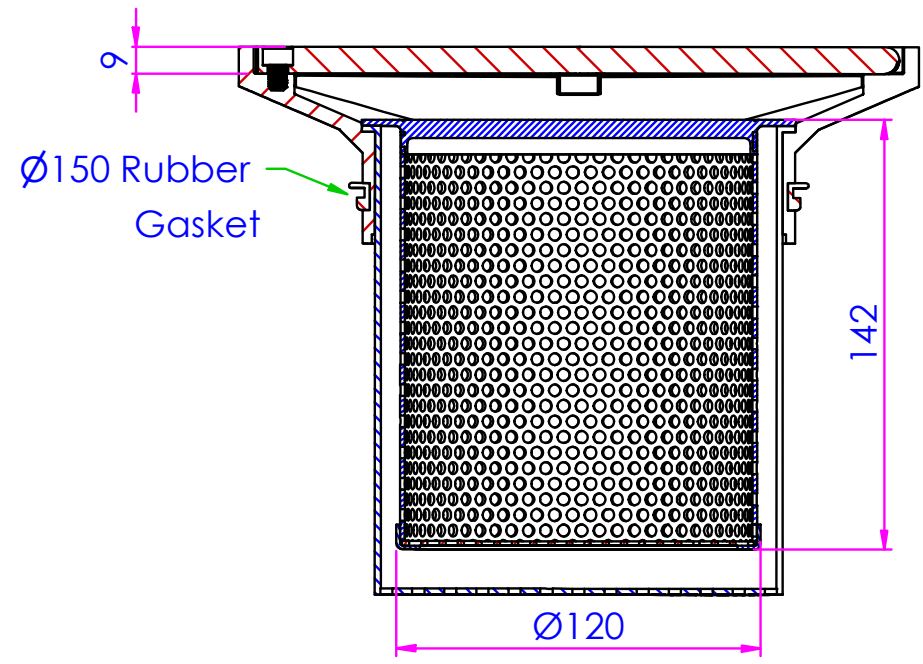
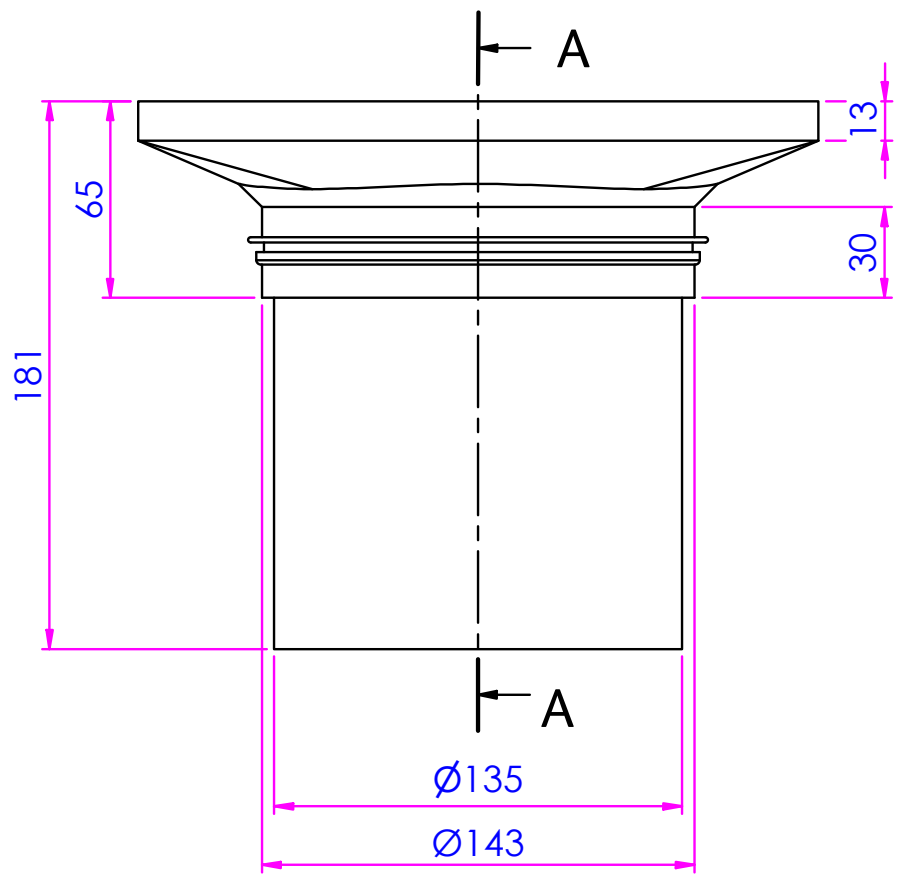
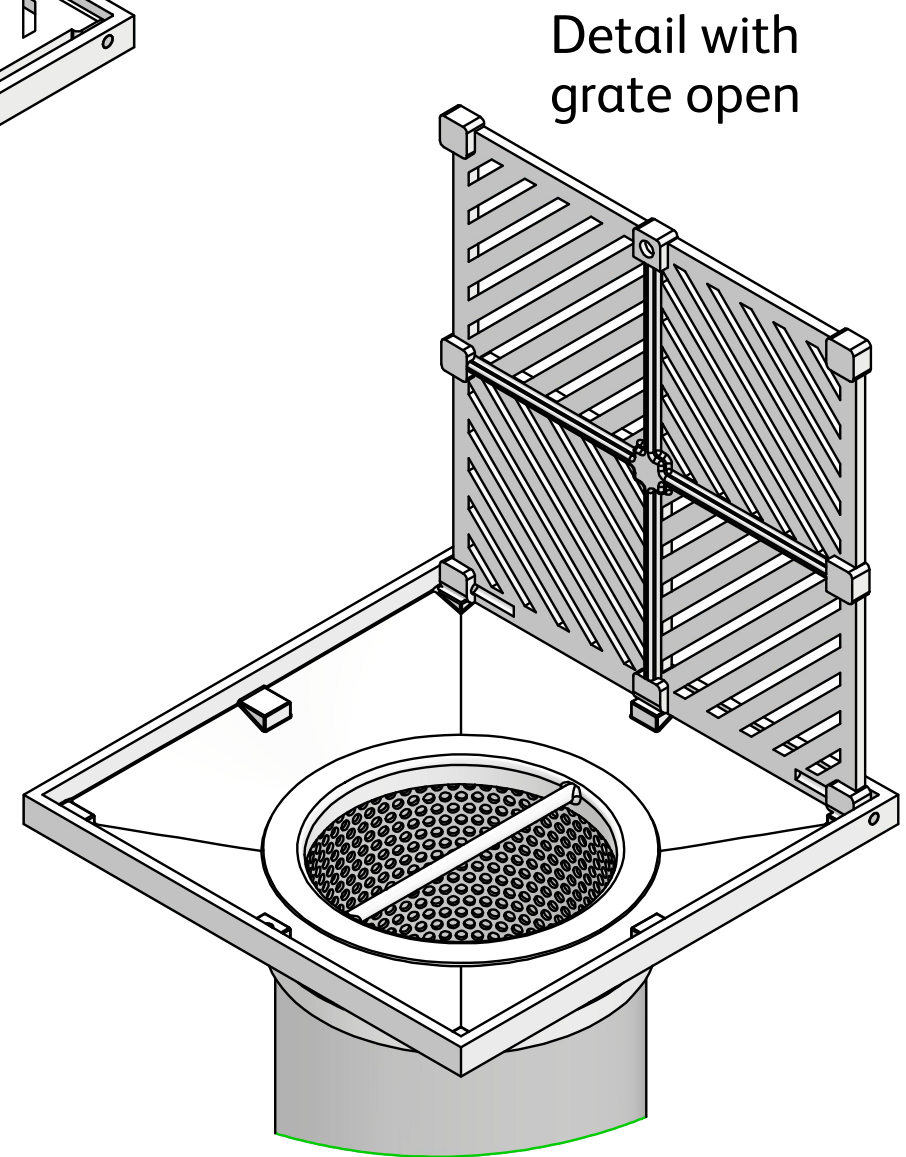
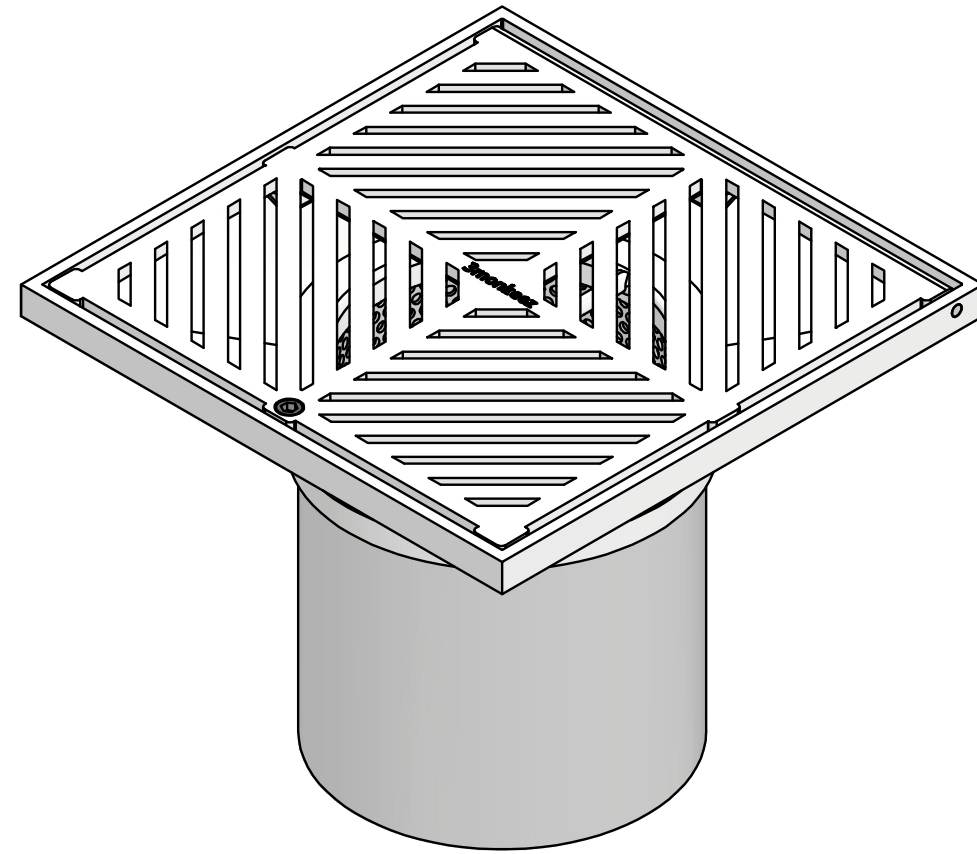
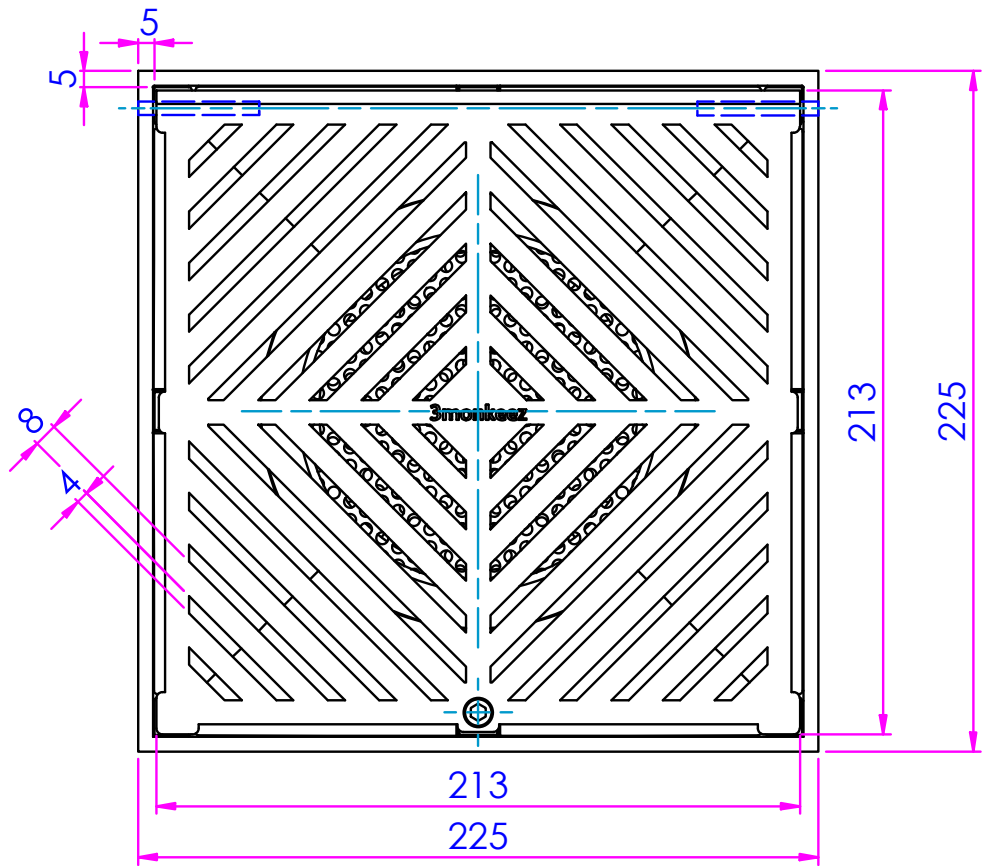
TITLE  
 200mm Round Vinyl Floor Bucket Trap with Grate, Removable Basket and Fixed Strainer.

DWG NO  
 FW-200VRBT-150-304  
 FW-200VRBT-150-316

SCALE: **N.T.S**  
 DRAWING - PART STATUS  
**Preliminary**

REGISTER No. 0012  
 REV 1  
 SHEET 1 OF 1





Section View on A - A

304 or 316 grade stainless steel as per model code

Fixed Strainer - 408x 4mm Diameter Holes  
Removable Strainer - 1675x 4mm Diameter Holes



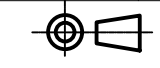
UNIT 6/24 WELLINGTON STREET  
RIVERSTONE NSW 2765  
P- 02 9627 6111 F- 02 9627 3111

GEN TOL  
X +/- 5mm  
XX +/- 25mm  
XXX +/- 125mm

DRAWN  
Alicia  
Revised  
BF

17/01/2019  
20/09/2022

APPROVED BY



THIRD ANGLE PROJECTION  
ALL DIMENSIONS ARE IN MILLIMETRES UNLESS OTHERWISE STATED

TITLE  
225mm Square Floor Bucket Trap with Hinged Grate, Removable Basket and Fixed Strainer.

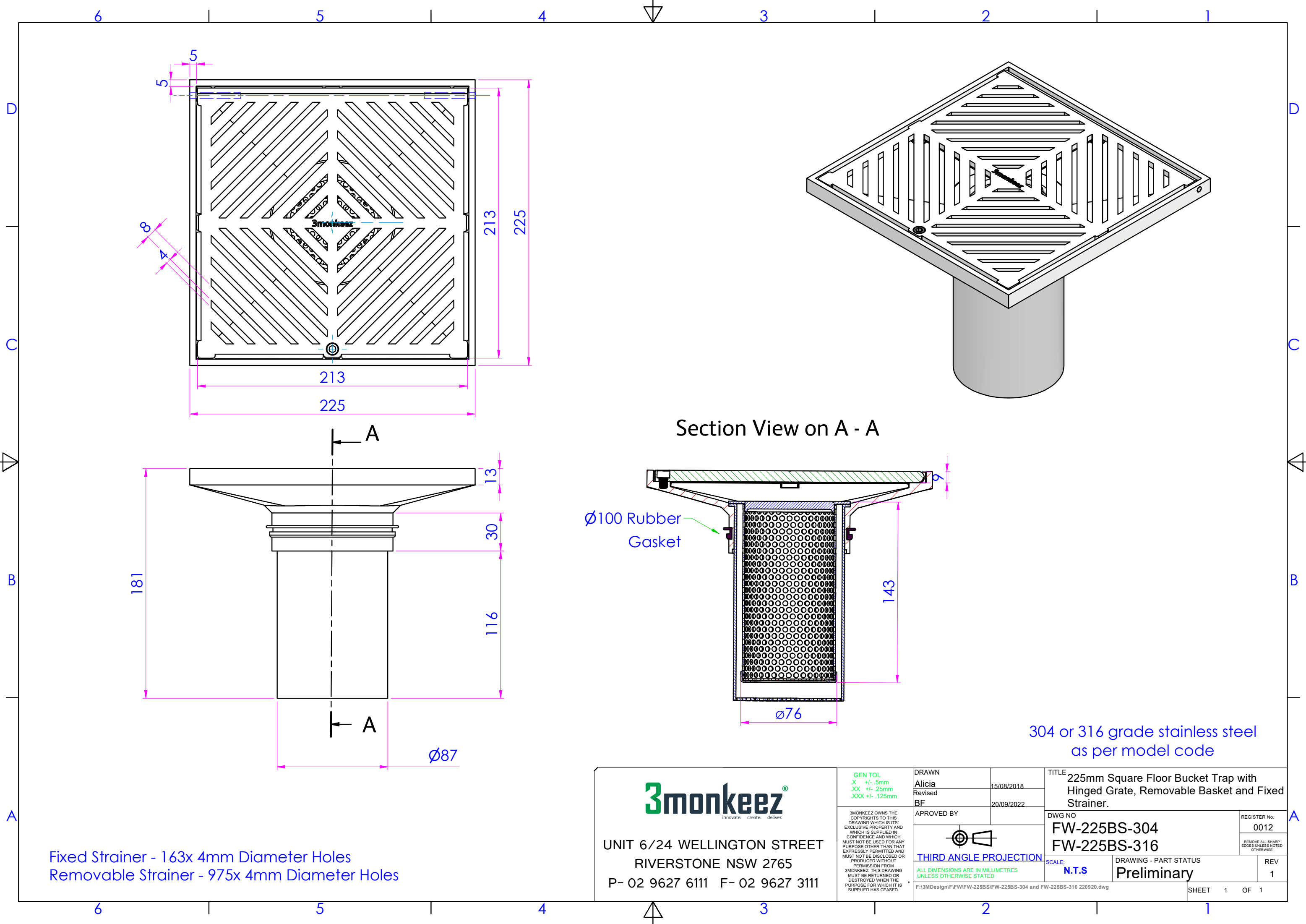
DWG NO  
FW-225BS-150-304  
FW-225BS-150-316

REGISTER No.  
0012  
REMOVE ALL SHARP EDGES UNLESS NOTED OTHERWISE

SCALE: N.T.S  
DRAWING - PART STATUS  
Preliminary

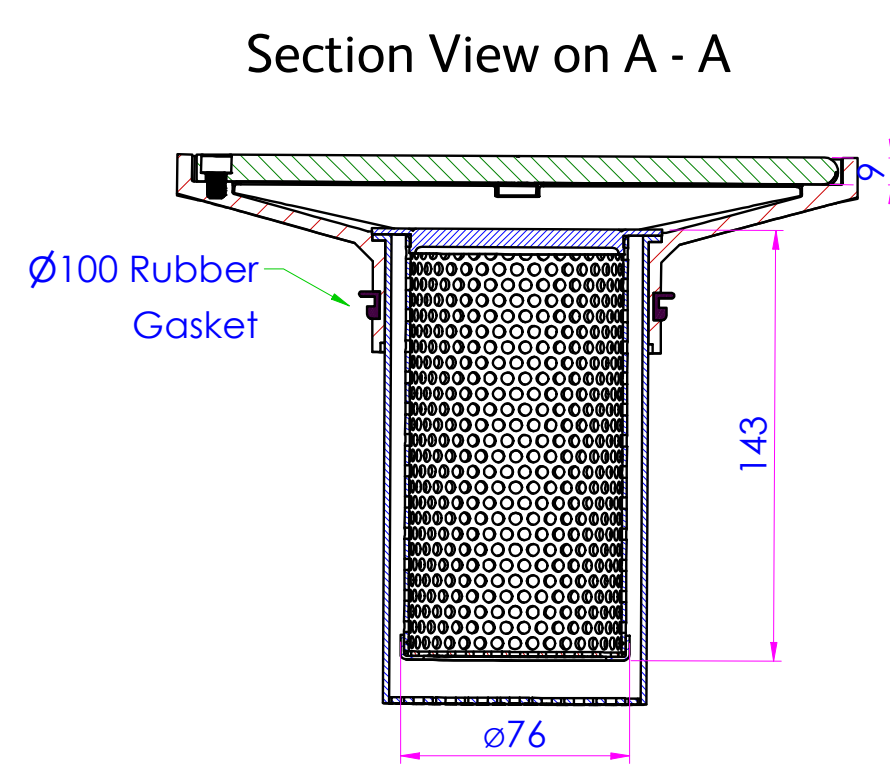
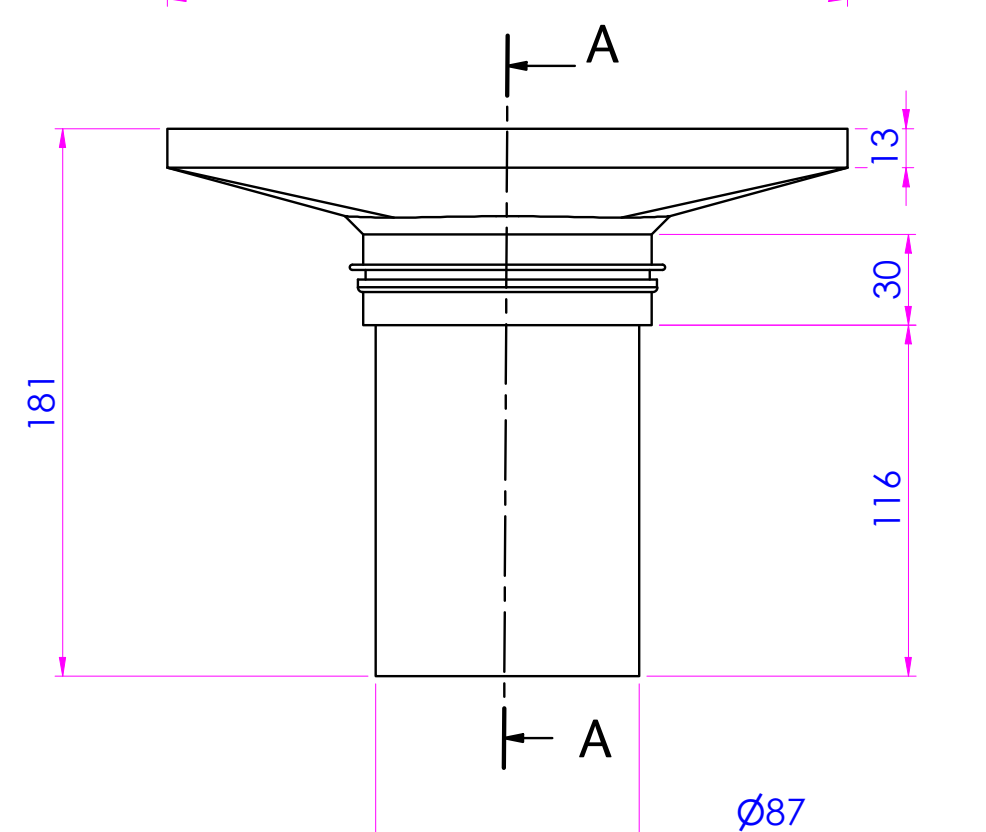
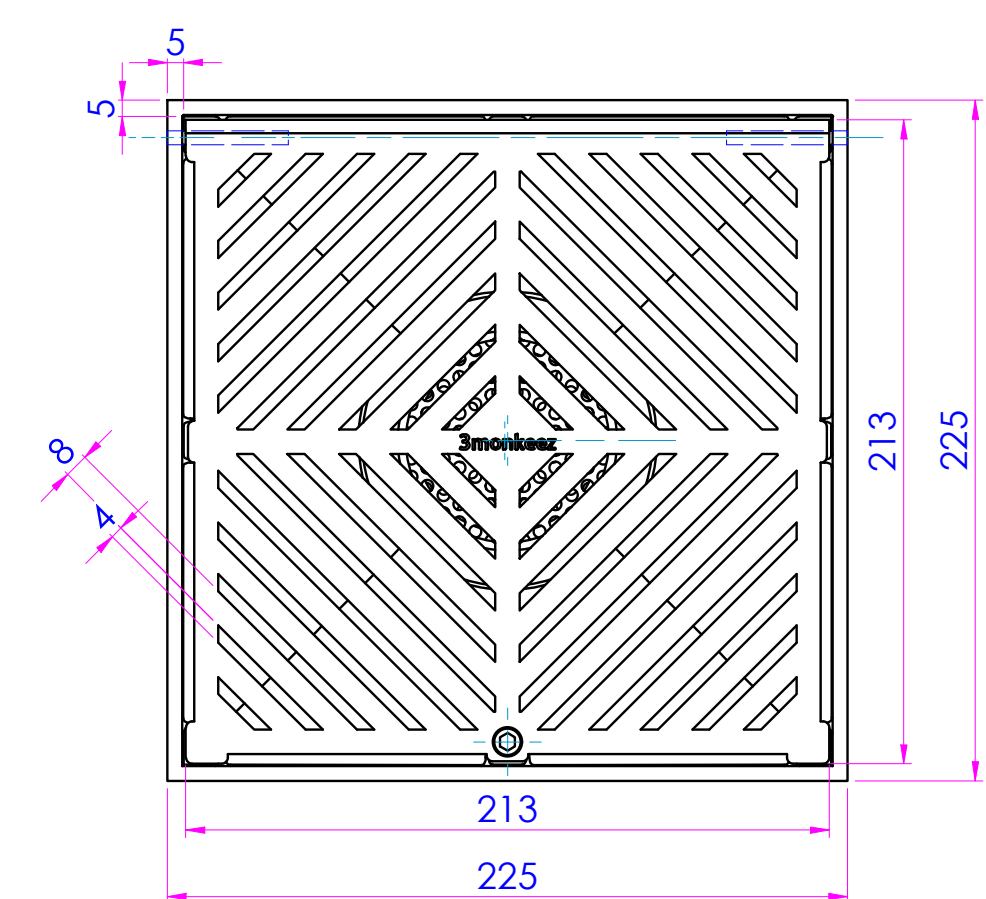
REV  
1

F:\3MDesign\FV\FVFW-225BS-150\FVFW-225BS-150-304 and FW-225BS-150-316 220920.dwg SHEET 1 OF 1




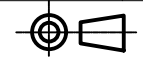
6  
5  
4  
3  
2  
1

D  
C  
B  
A



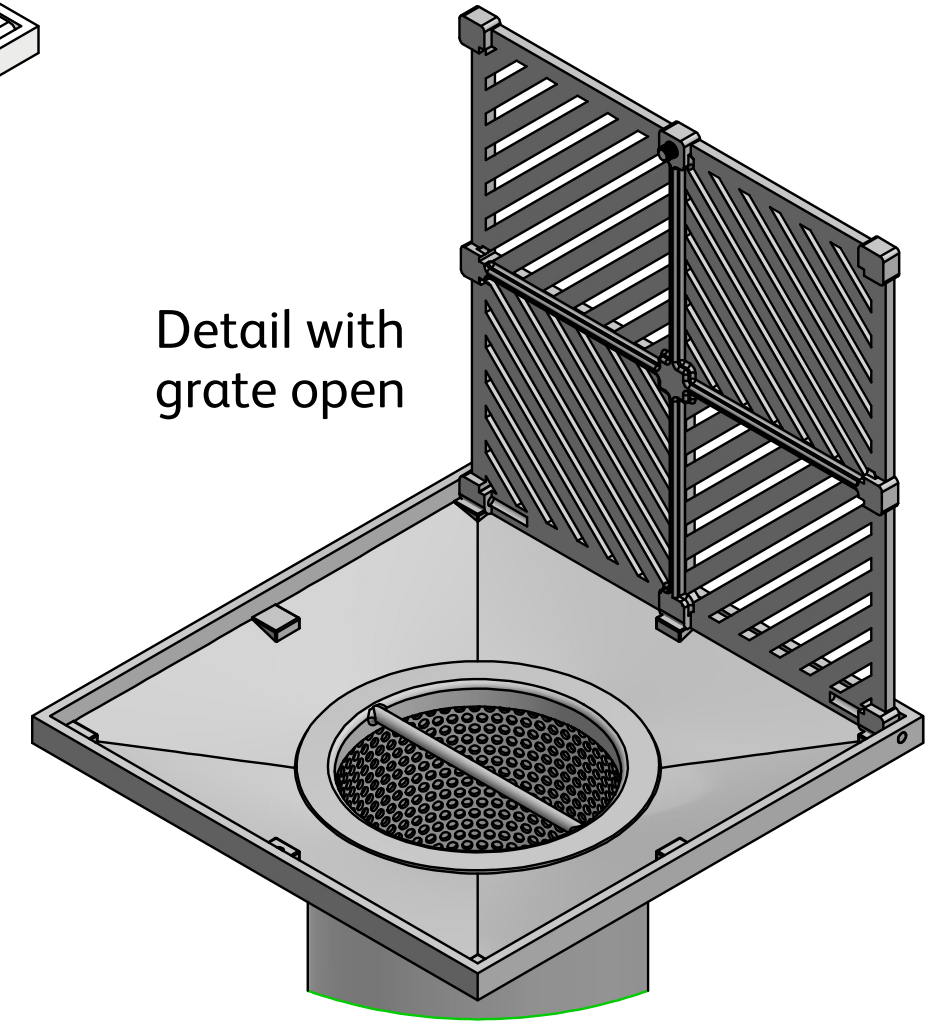
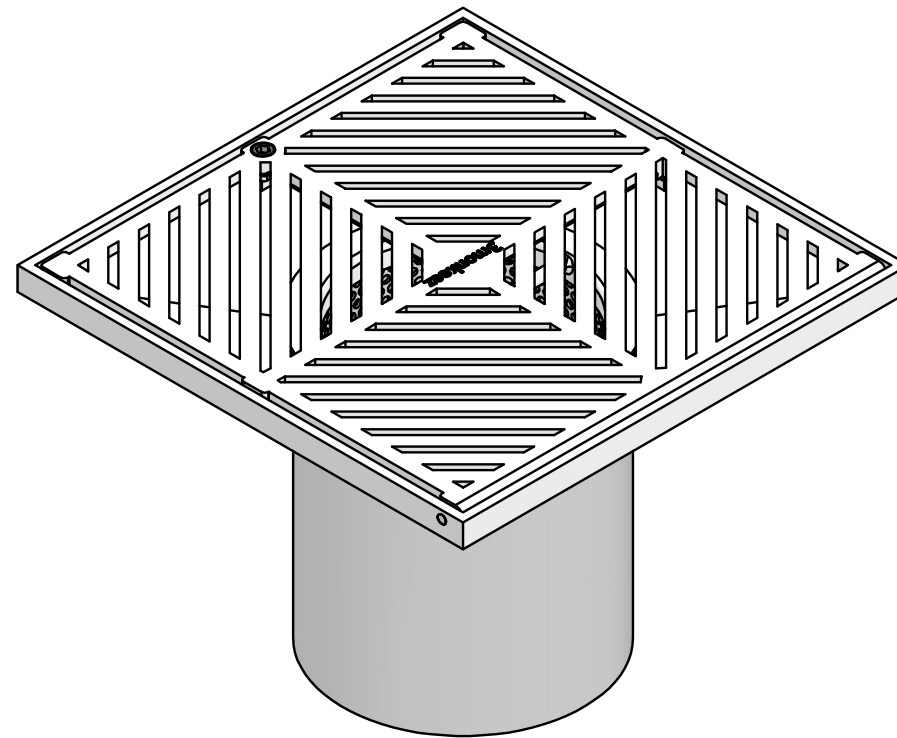
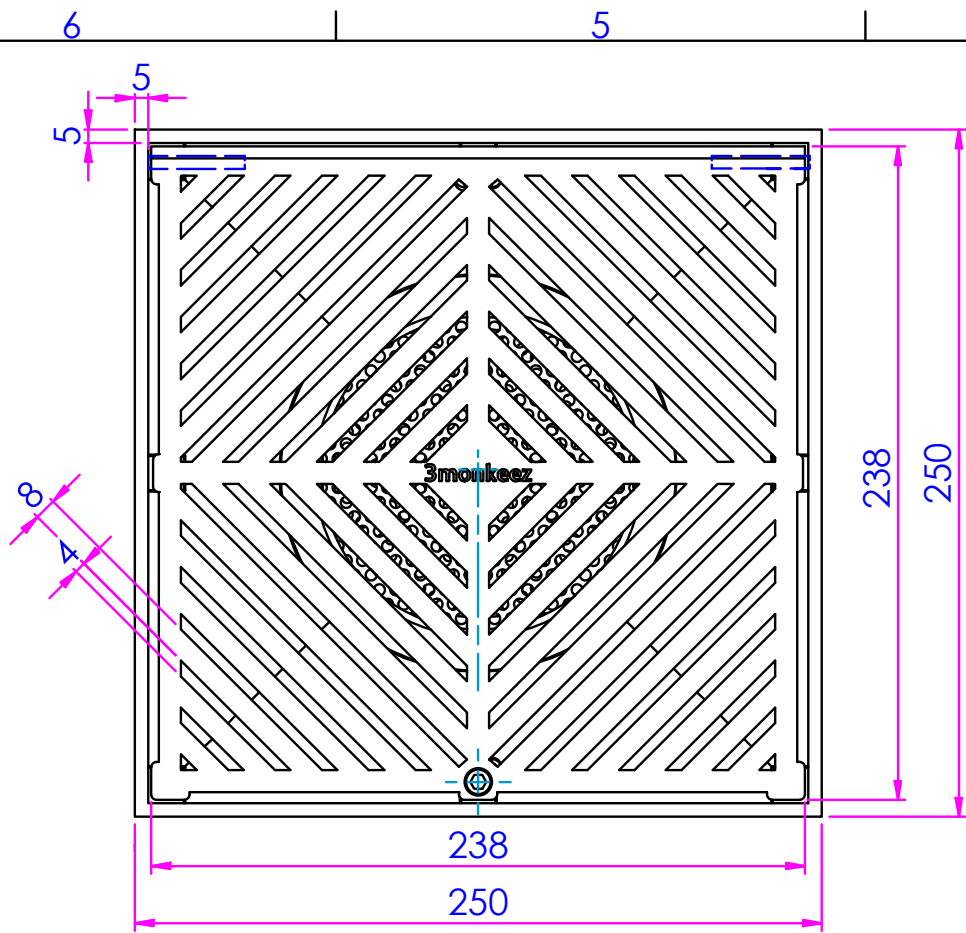
304 or 316 grade stainless steel  
as per model code

Fixed Strainer - 163x 4mm Diameter Holes  
Removable Strainer - 975x 4mm Diameter Holes

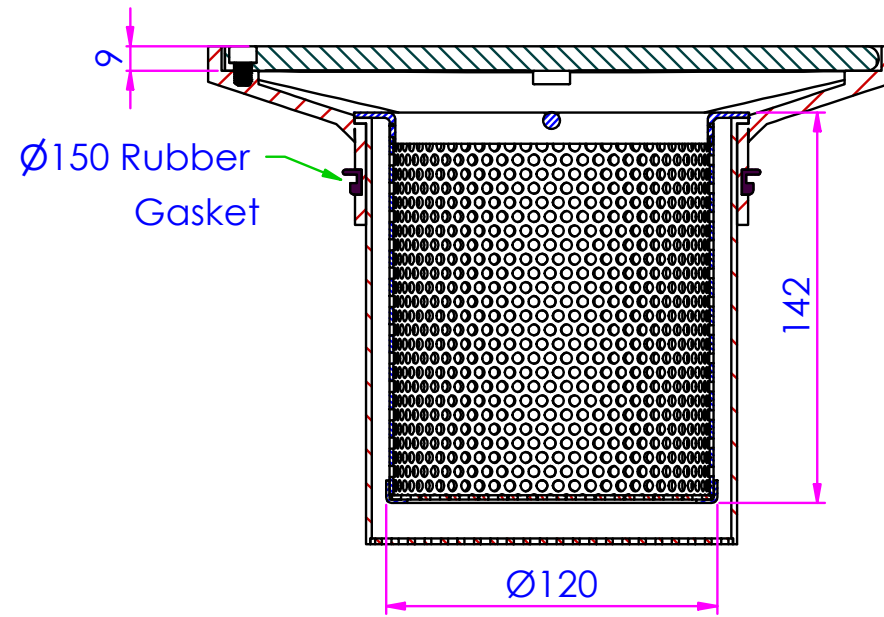
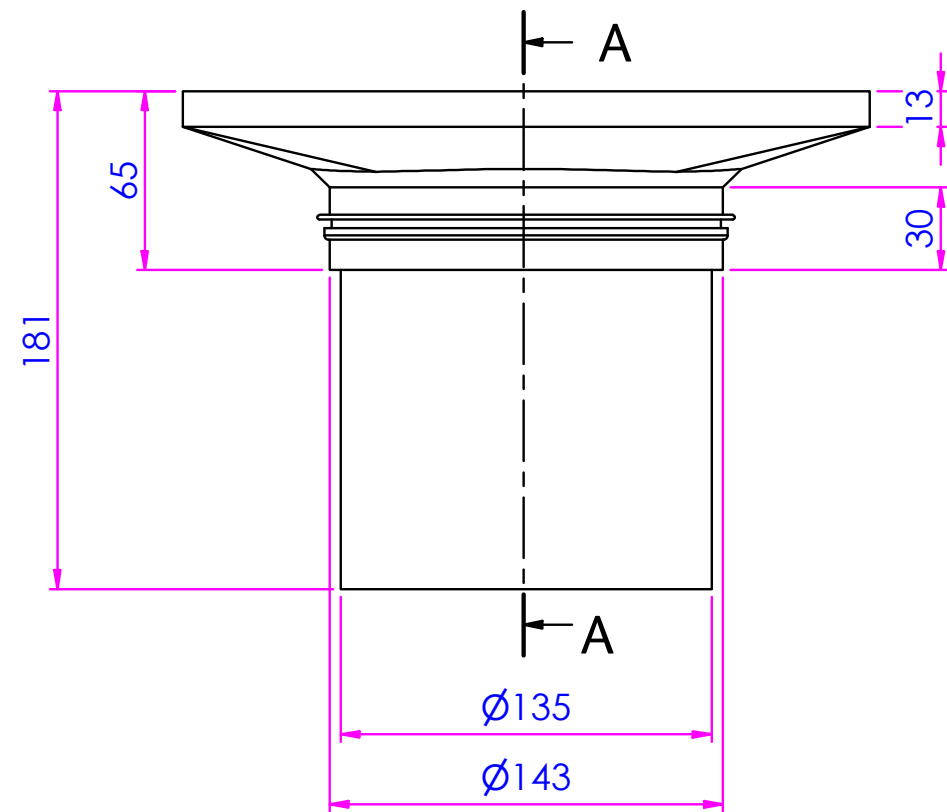
 innovate. create. deliver. UNIT 6/24 WELLINGTON STREET RIVERSTONE NSW 2765 P- 02 9627 6111 F- 02 9627 3111	GEN TOL .X +/- 5mm .XX +/- 25mm .XXX +/- 125mm	DRAWN Alicia Revised BF	15/08/2018 20/09/2022	TITLE 225mm Square Floor Bucket Trap with Hinged Grate, Removable Basket and Fixed Strainer.	DWG NO FW-225BS-304 FW-225BS-316	REGISTER No. 0012 <small>REMOVE ALL SHARP EDGES UNLESS NOTED OTHERWISE</small>
	<small>3MONKEEZ OWNS THE COPYRIGHTS TO THIS DRAWING WHICH IS ITS EXCLUSIVE PROPERTY AND WHICH IS SUPPLIED IN CONFIDENCE AND WHICH MUST NOT BE USED FOR ANY PURPOSE OTHER THAN THAT EXPRESSLY PERMITTED AND MUST NOT BE DISCLOSED OR PRODUCED WITHOUT PERMISSION FROM 3MONKEEZ. THIS DRAWING MUST BE RETURNED OR DESTROYED WHEN THE PURPOSE FOR WHICH IT IS SUPPLIED HAS CEASED.</small>	APPROVED BY  THIRD ANGLE PROJECTION ALL DIMENSIONS ARE IN MILLIMETRES UNLESS OTHERWISE STATED	SCALE: N.T.S	DRAWING - PART STATUS Preliminary	REV 1	

F:\3MDesign\FVFW\FW-225BS\FW-225BS-304 and FW-225BS-316 220920.dwg

SHEET 1 OF 1



Detail with grate open



Section View on A - A

304 or 316 stainless steel  
as per model coide

Fixed Strainer - 408x 4mm Diameter Holes  
Removable Strainer - 1675x 4mm Diameter Holes



UNIT 6/24 WELLINGTON STREET  
RIVERSTONE NSW 2765  
P- 02 9627 6111 F- 02 9627 3111

GEN TOL  
.X +/- 5mm  
.XX +/- 25mm  
.XXX +/- 125mm

DRAWN  
Alicia  
Revised  
BF

17/01/2019  
21/09/2022

APPROVED BY



THIRD ANGLE PROJECTION

ALL DIMENSIONS ARE IN MILLIMETRES  
UNLESS OTHERWISE STATED

TITLE  
250mm Square Floor Bucket Trap with  
Hinged Grate, Removable Basket and Fixed  
BF

DWG NO  
FW-250BS-150-304  
FW-250BS-150-316

REGISTER No.  
0012

REMOVE ALL SHARP  
EDGES UNLESS NOTED  
OTHERWISE

SCALE:  
N.T.S

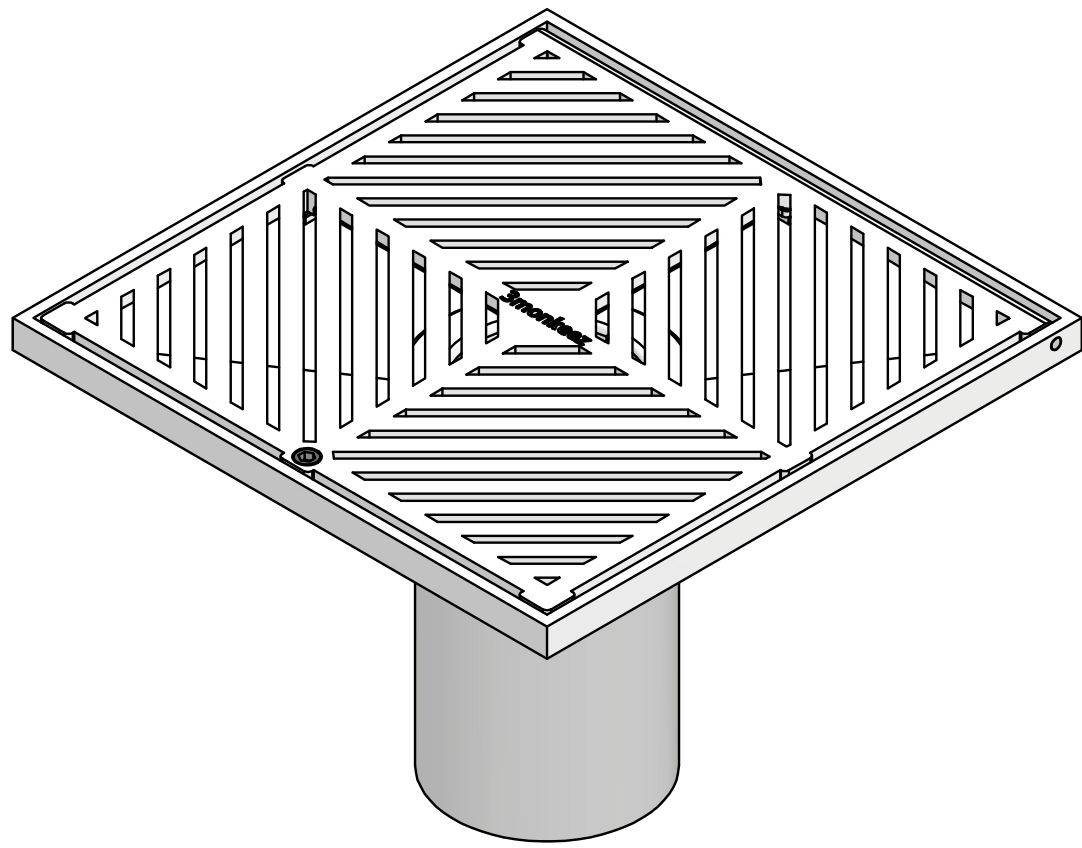
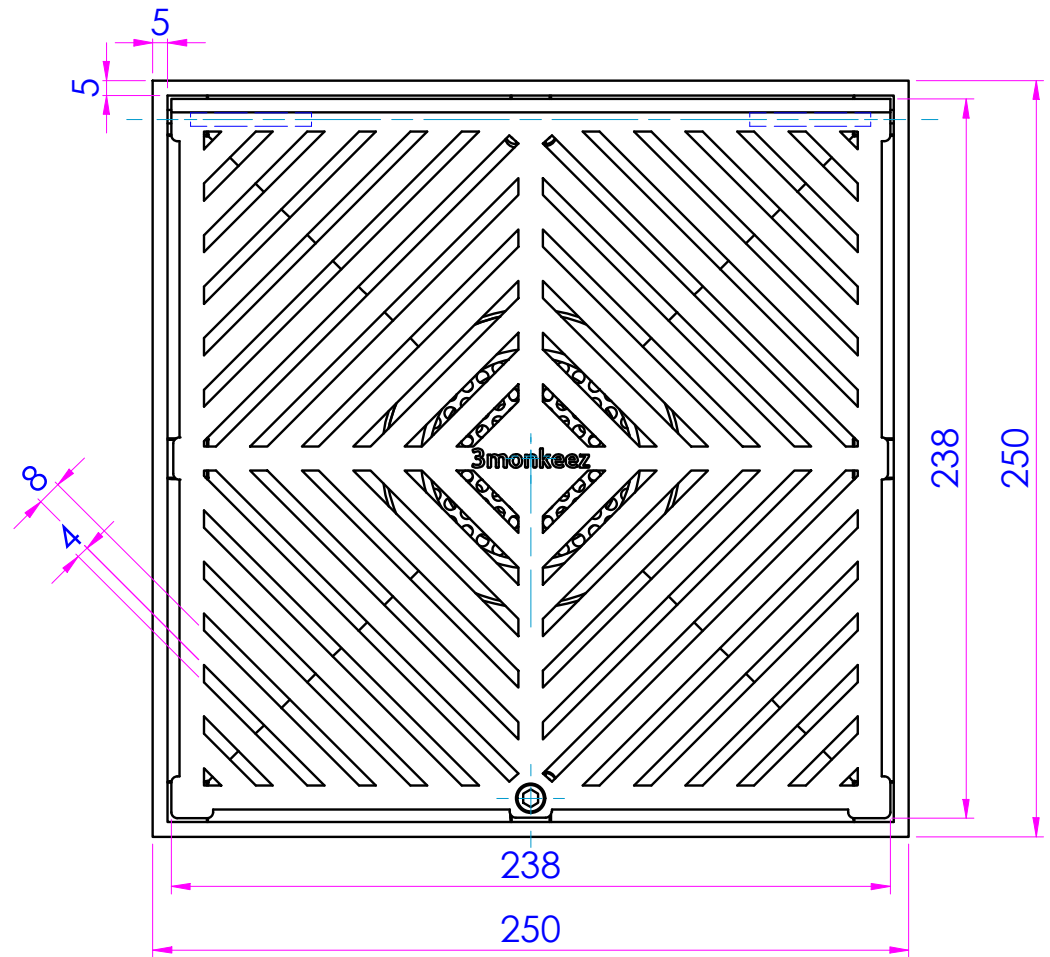
DRAWING - PART STATUS  
Preliminary

REV  
1

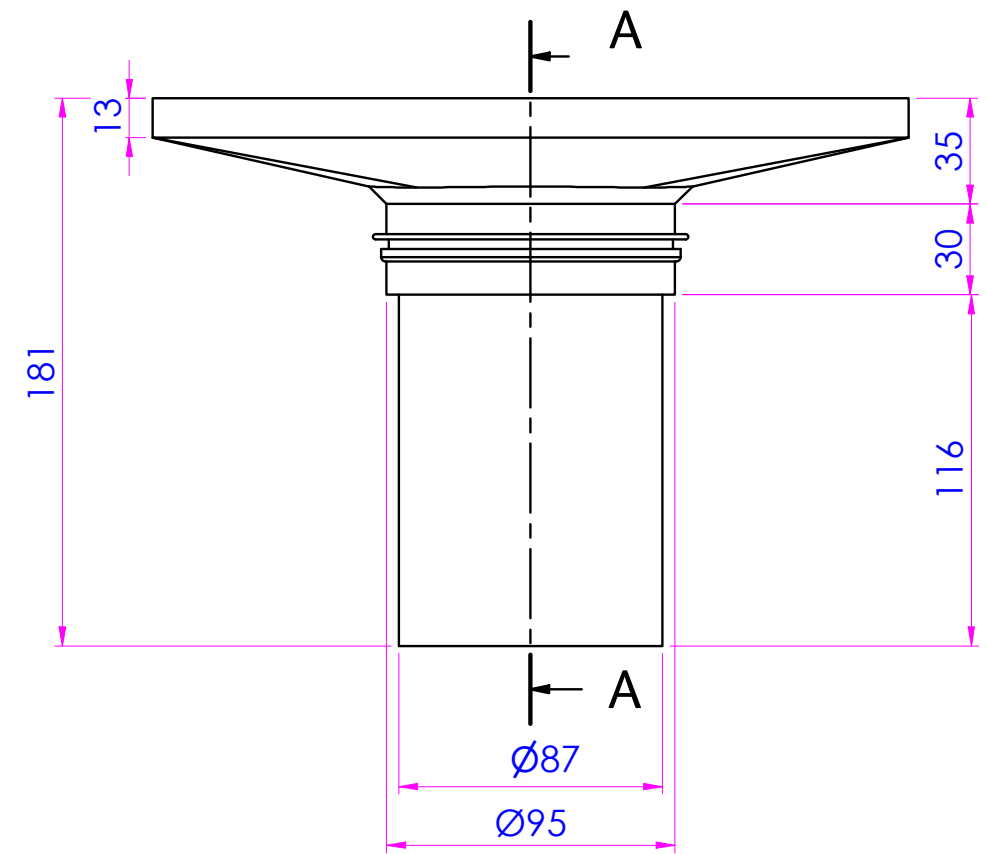
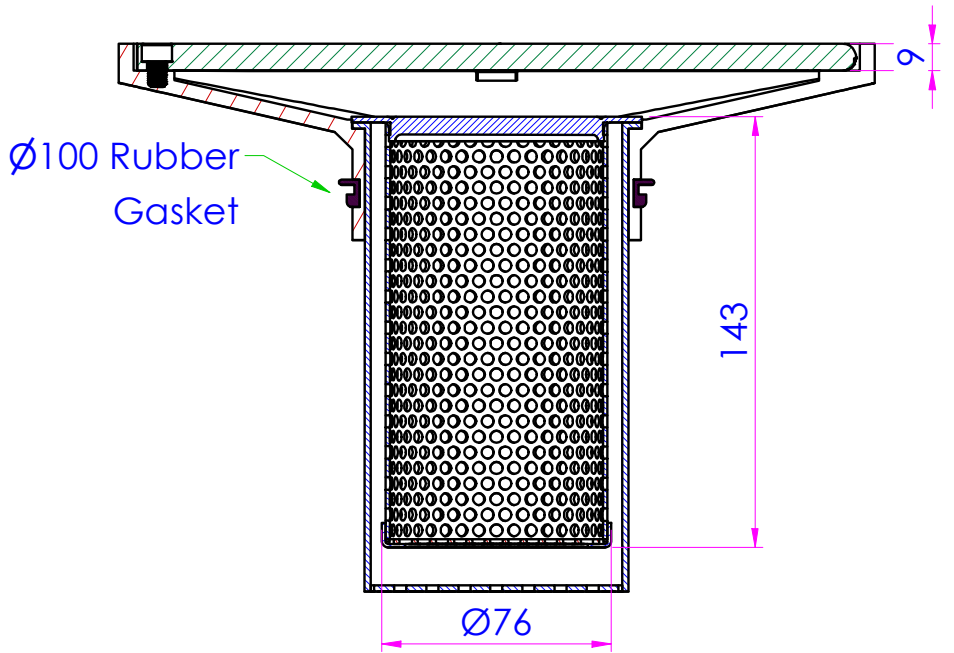
F:\3MDesign\FV\FVFW-250BS-150\FVFW-250BS-150-304 and FW-250BS-150-316 220921.dwg

SHEET 1 OF 1




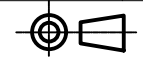


Section View on A - A

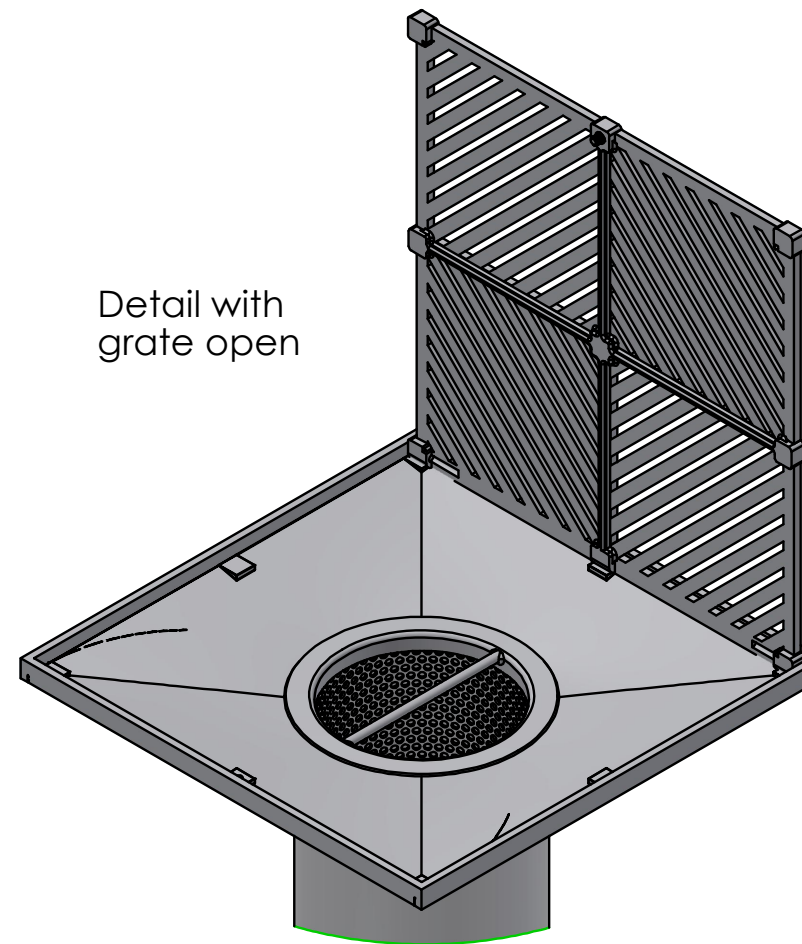
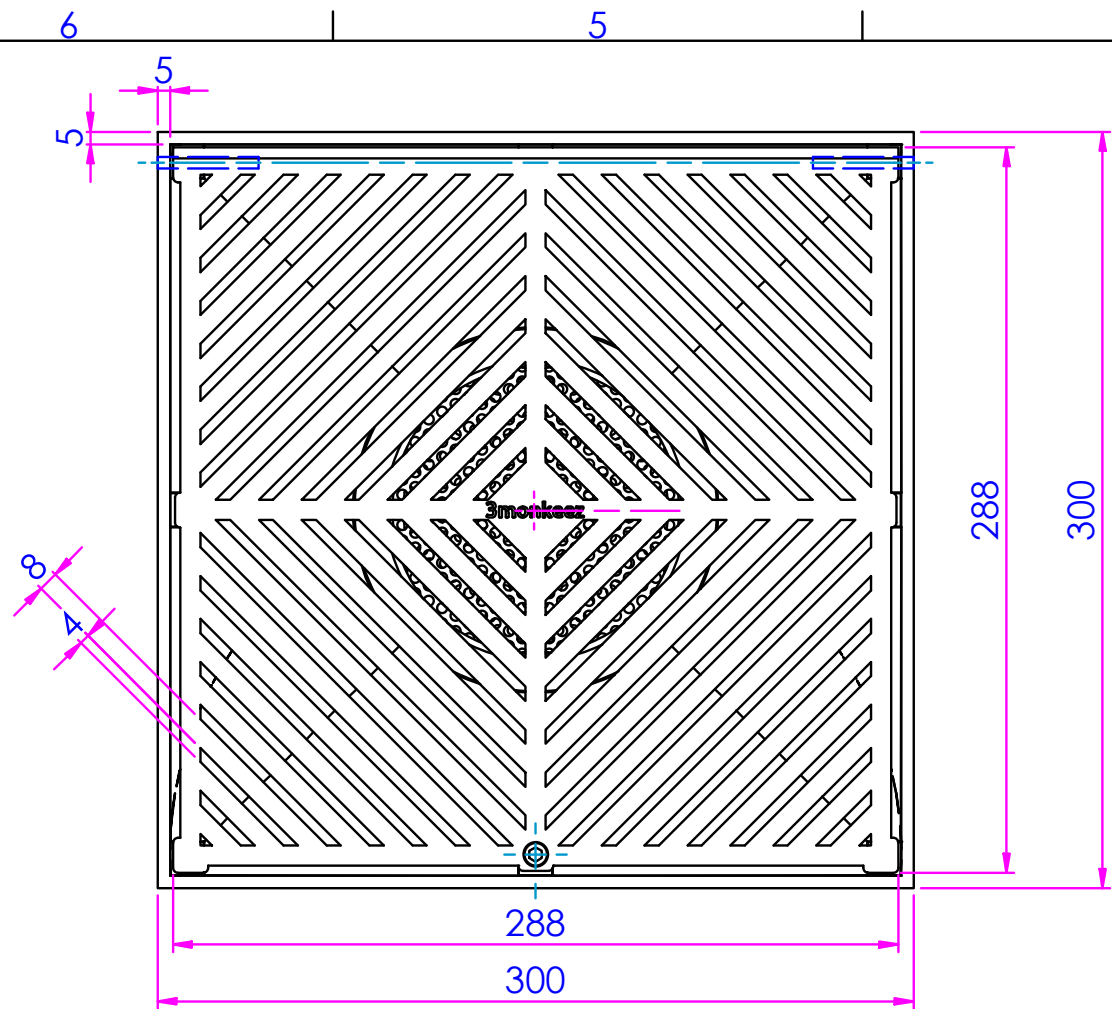


304 or 316 grade stainless steel  
as per model code

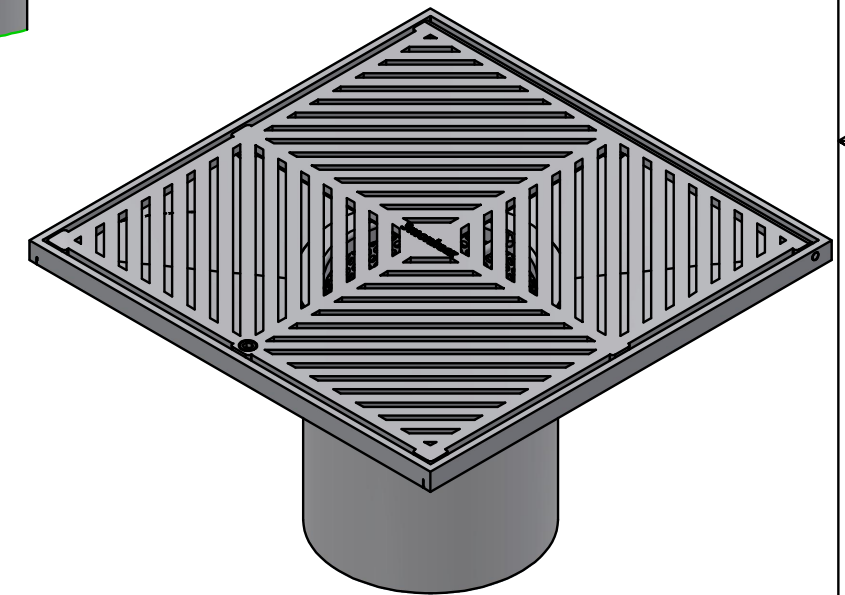
Fixed Strainer - 163x 4mm Diameter Holes  
Removable Strainer - 975x 4mm Diameter Holes

 innovate. create. deliver. UNIT 6/24 WELLINGTON STREET RIVERSTONE NSW 2765 P- 02 9627 6111 F- 02 9627 3111	GEN TOL .X +/- 5mm .XX +/- 25mm .XXX +/- 125mm	DRAWN Alicia Revised BF	15/08/2018 21/09/2022	TITLE 250mm Square Floor Bucket Trap with Hinged Grate, Removable Basket and Fixed Strainer.	REGISTER No. 0012 <small>REMOVE ALL SHARP EDGES UNLESS NOTED OTHERWISE</small>
	<small>3MONKEEZ OWNS THE COPYRIGHTS TO THIS DRAWING WHICH IS ITS EXCLUSIVE PROPERTY AND WHICH IS SUPPLIED IN CONFIDENCE AND WHICH MUST NOT BE USED FOR ANY PURPOSE OTHER THAN THAT EXPRESSLY PERMITTED AND MUST NOT BE DISCLOSED OR PRODUCED WITHOUT PERMISSION FROM 3MONKEEZ. THIS DRAWING MUST BE RETURNED OR DESTROYED WHEN THE PURPOSE FOR WHICH IT IS SUPPLIED HAS CEASED.</small>	APPROVED BY  <b>THIRD ANGLE PROJECTION</b>	DWG NO <b>FW-250BS-304</b> <b>FW-250BS-316</b>	SCALE: <b>N.T.S</b>	DRAWING - PART STATUS <b>Preliminary</b>
F:\3MDesign\FVFWFW-250BS\FW-250BS-304 and FW-250BS-316 220921.dwg				SHEET 1 OF 1	



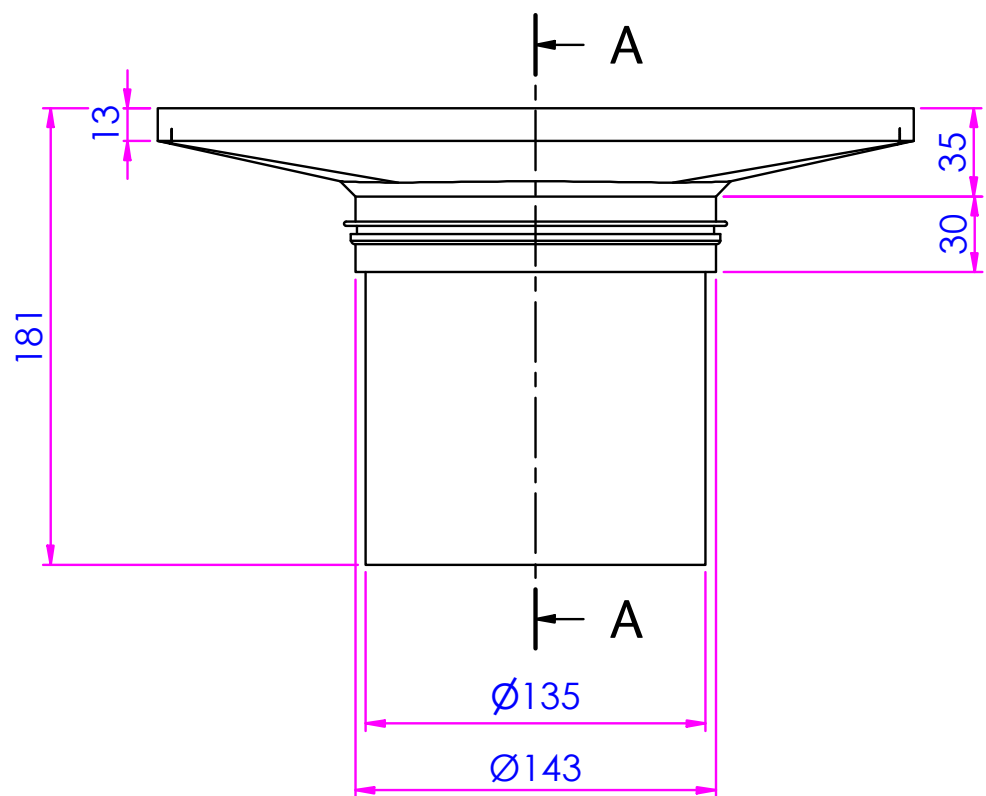
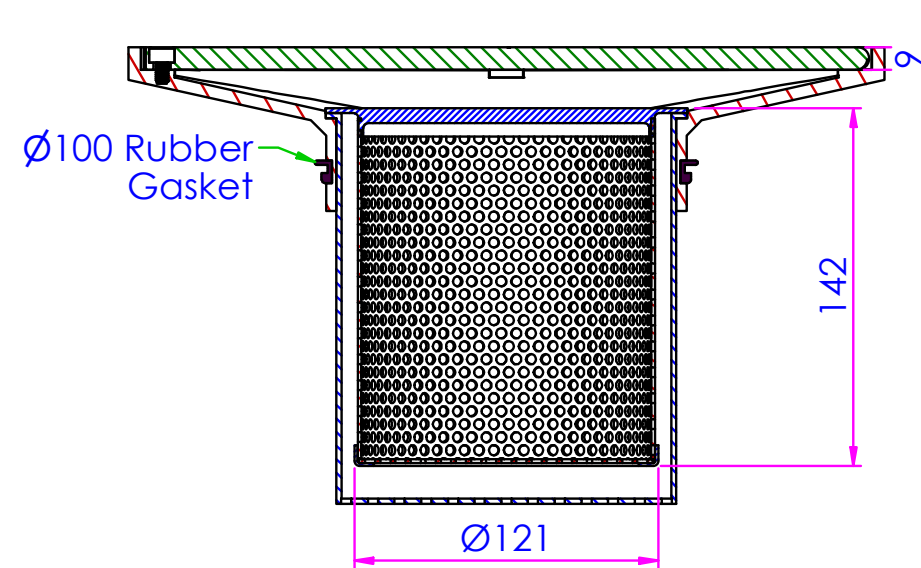


Detail with grate open



304 or 316 grade stainless steel as per model code

Section View on A - A



Fixed Strainer - 408x 4mm Diameter Holes  
Removable Strainer - 1675x 4mm Diameter Holes



UNIT 6/24 WELLINGTON STREET  
RIVERSTONE NSW 2765  
P- 02 9627 6111 F- 02 9627 3111

GEN TOL  
X +/- 5mm  
XX +/- 25mm  
XXX +/- 125mm

3MONKEEZ OWNS THE COPYRIGHTS TO THIS DRAWING WHICH IS ITS EXCLUSIVE PROPERTY AND WHICH IS SUPPLIED IN CONFIDENCE AND WHICH MUST NOT BE USED FOR ANY PURPOSE OTHER THAN THAT EXPRESSLY PERMITTED AND MUST NOT BE DISCLOSED OR PRODUCED WITHOUT PERMISSION FROM 3MONKEEZ. THIS DRAWING MUST BE RETURNED OR DESTROYED WHEN THE PURPOSE FOR WHICH IT IS SUPPLIED HAS CEASED.

DRAWN  
Alicia  
Revised  
BF

1/4/2014  
23/8/2022

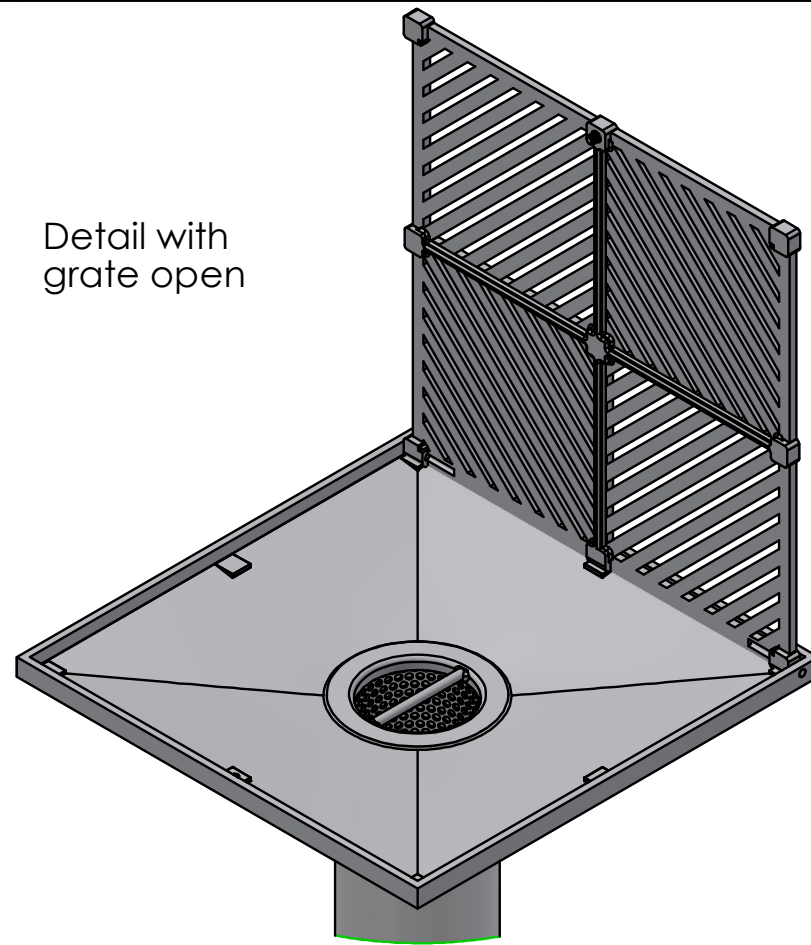
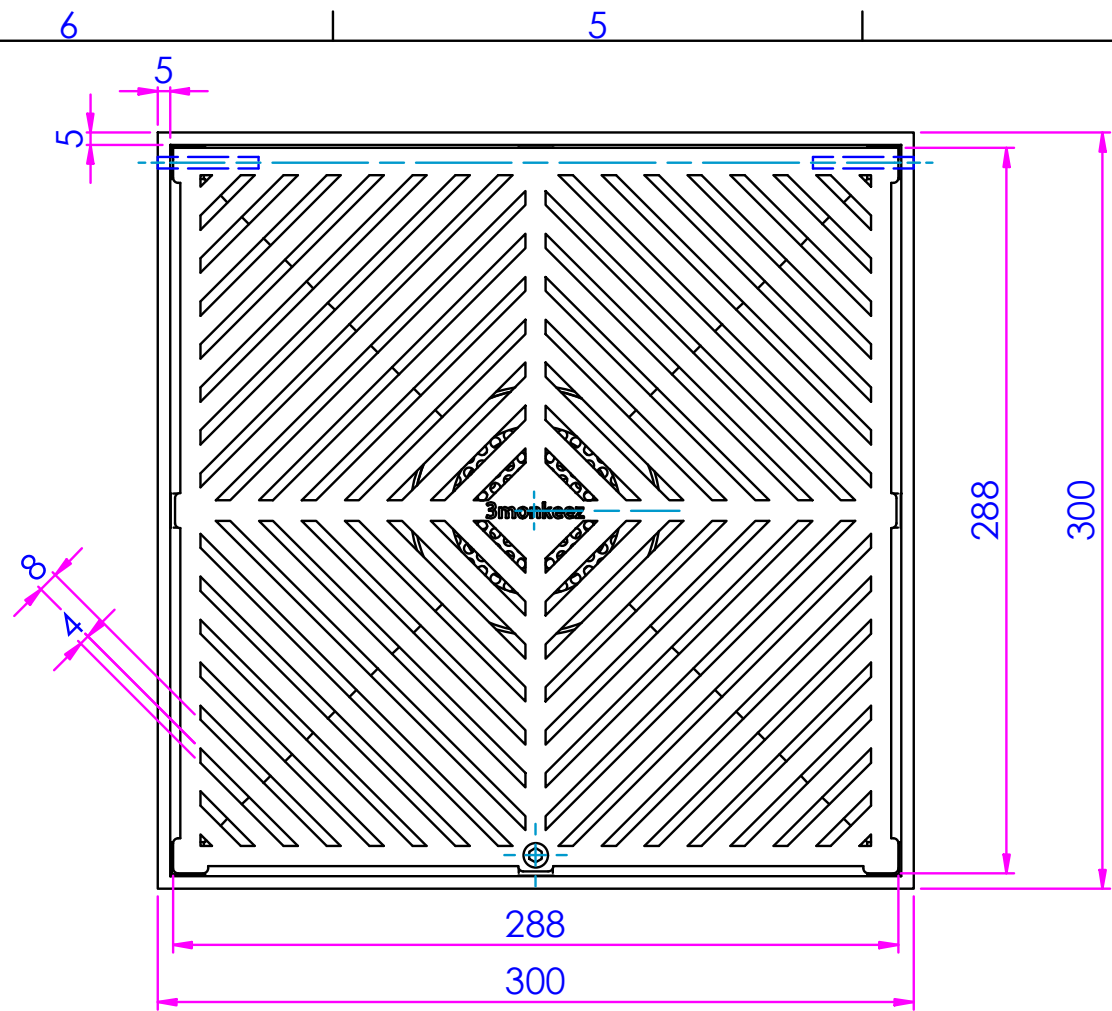
APPROVED BY

THIRD ANGLE PROJECTION

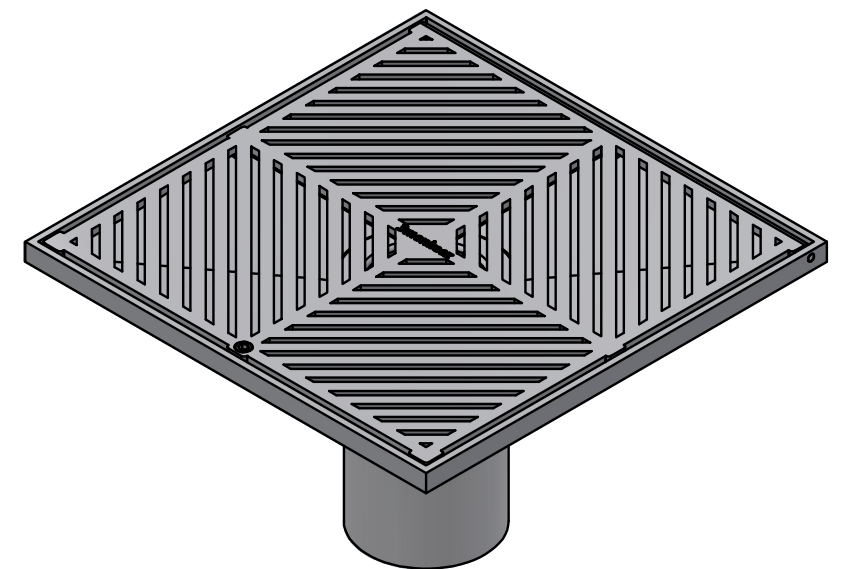
ALL DIMENSIONS ARE IN MILLIMETRES UNLESS OTHERWISE STATED

TITLE 300mm Square Floor Waste - Without Fixed and Removable Strainer. Suits 150mm Pipe		REGISTER No. 0012
DWG NO FW-300BS-150-304 FW-300BS-150-316	SCALE: N.T.S	REV 1
DRAWING - PART STATUS Preliminary		SHEET 1 OF 1

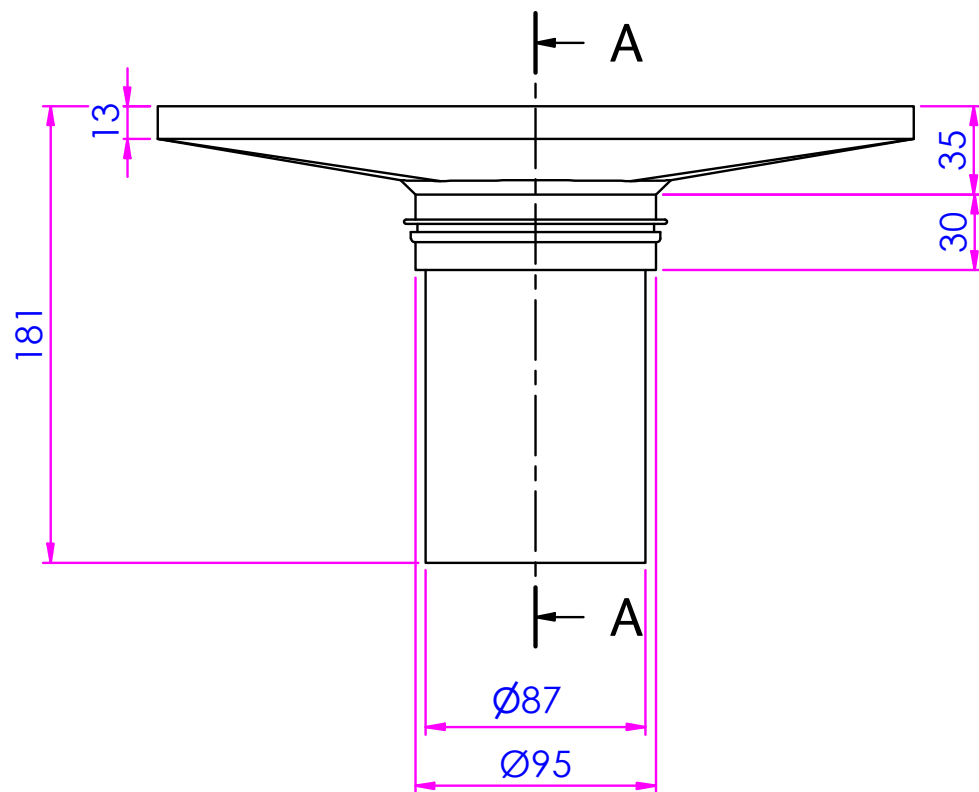
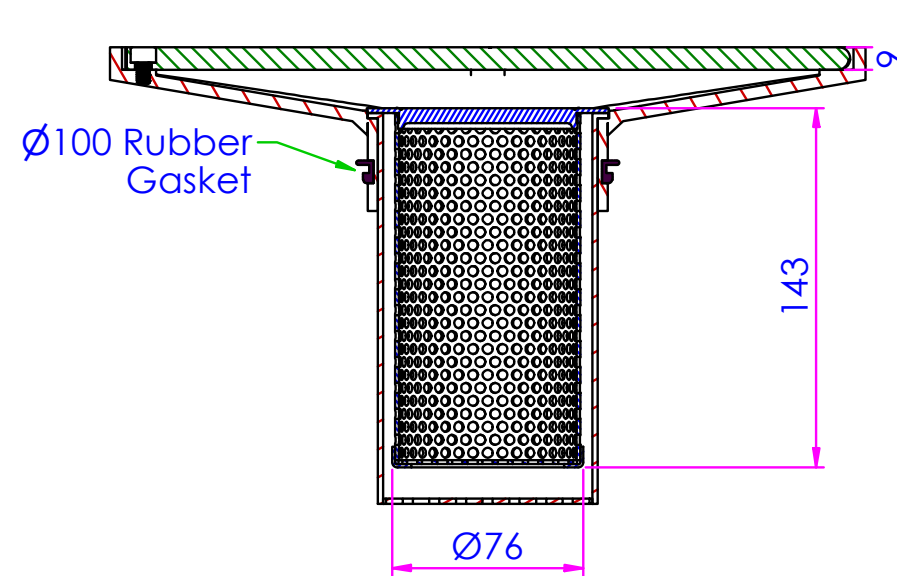
F:\3MDesign\FVFW-300BS-150\FW-300BS-150-304 and FW-300BS-150-316 220923.dwg



Detail with grate open



Section View on A - A



304 or 316 grade stainless steel as per model code

Fixed Strainer - 163x 4mm Diameter Holes  
Removable Strainer - 975x 4mm Diameter Holes



UNIT 6/24 WELLINGTON STREET  
RIVERSTONE NSW 2765  
P- 02 9627 6111 F- 02 9627 3111

GEN TOL  
.X +/- 5mm  
.XX +/- 25mm  
.XXX +/- 125mm

DRAWN  
Alicia

1/4/2014

Revised  
BF

23/8/2022

APPROVED BY



THIRD ANGLE PROJECTION

ALL DIMENSIONS ARE IN MILLIMETRES UNLESS OTHERWISE STATED

TITLE  
300mm Square Floor Bucket Trap with Hinged Grate, Removable Basket and Fixed Strainer.

DWG NO  
FW-300BS-304  
FW-300BS-316

REGISTER No.  
0012

REMOVE ALL SHARP EDGES UNLESS NOTED OTHERWISE

SCALE:  
N.T.S

DRAWING - PART STATUS  
Preliminary

REV  
1

F:\3MDesign\FVFW-300BS\FW-300BS-304 and FW-300BS-316 220923.dwg

SHEET 1 OF 1