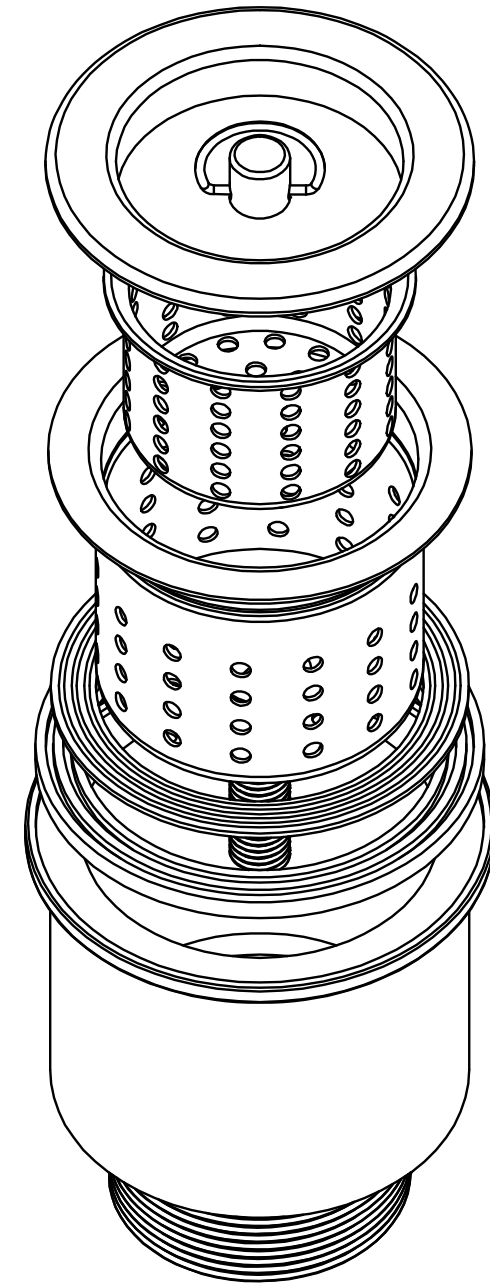


Section View



Removable Strainer = 94 x 4mm Diameter Holes
 Fixed Strainer - 100 x 4mm Diameter Holes

304 or 316 grade stainless steel
 as per model code



UNIT 6/24 WELLINGTON STREET
 RIVERSTONE NSW 2765
 P- 02 9627 6111 F- 02 9627 3111

GEN TOL
 .X +/- .5mm
 .XX +/- .25mm
 .XXX +/- .125mm

3MONKEEZ OWNS THE COPYRIGHTS TO THIS DRAWING WHICH IS ITS EXCLUSIVE PROPERTY AND WHICH IS SUPPLIED IN CONFIDENCE AND WHICH MUST NOT BE USED FOR ANY PURPOSE OTHER THAN THAT EXPRESSLY PERMITTED AND MUST NOT BE DISCLOSED OR PRODUCED WITHOUT PERMISSION FROM 3MONKEEZ. THIS DRAWING MUST BE RETURNED OR DESTROYED WHEN THE PURPOSE FOR WHICH IT IS SUPPLIED HAS CEASED.

DRAWN Bill Frost	8/12/2020
Revised BF	10/10/2022
APPROVED BY 	
THIRD ANGLE PROJECTION	
ALL DIMENSIONS ARE IN MILLIMETRES UNLESS OTHERWISE STATED	

TITLE S/S Scraptrap 50mm Dia with 50mm MI BSP connection.	
DWG NO SCRAP-S-50 SCRAP-S-50-316	REGISTER No. 0012
SCALE: N.T.S	DRAWING - PART STATUS Preliminary
REV 001	

F:\3MDesign\SCRAP-S-50\SCRAP-S-50 and SCRAP-S-50-316 221010.dwg

SHEET 1 OF 1