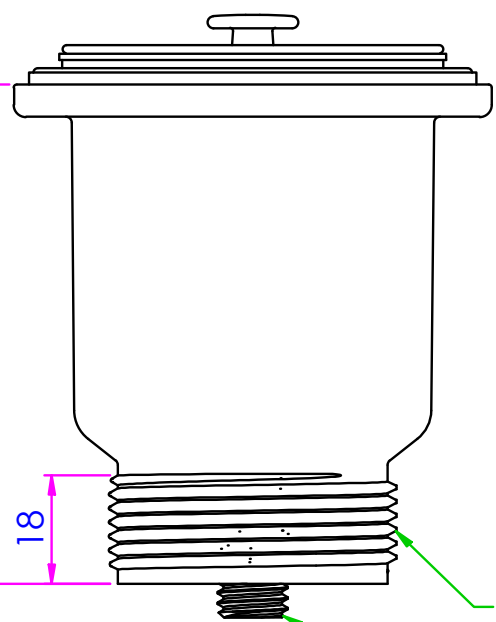
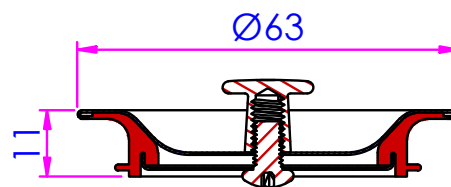
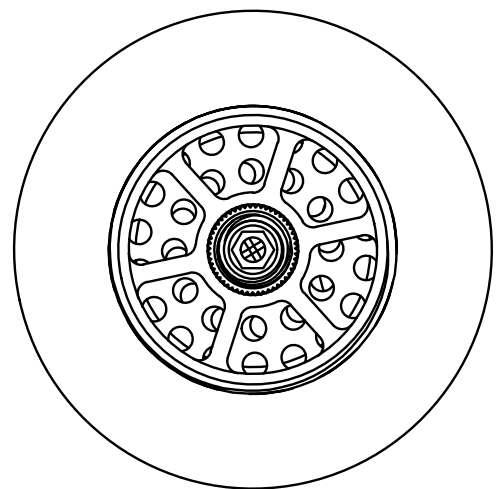
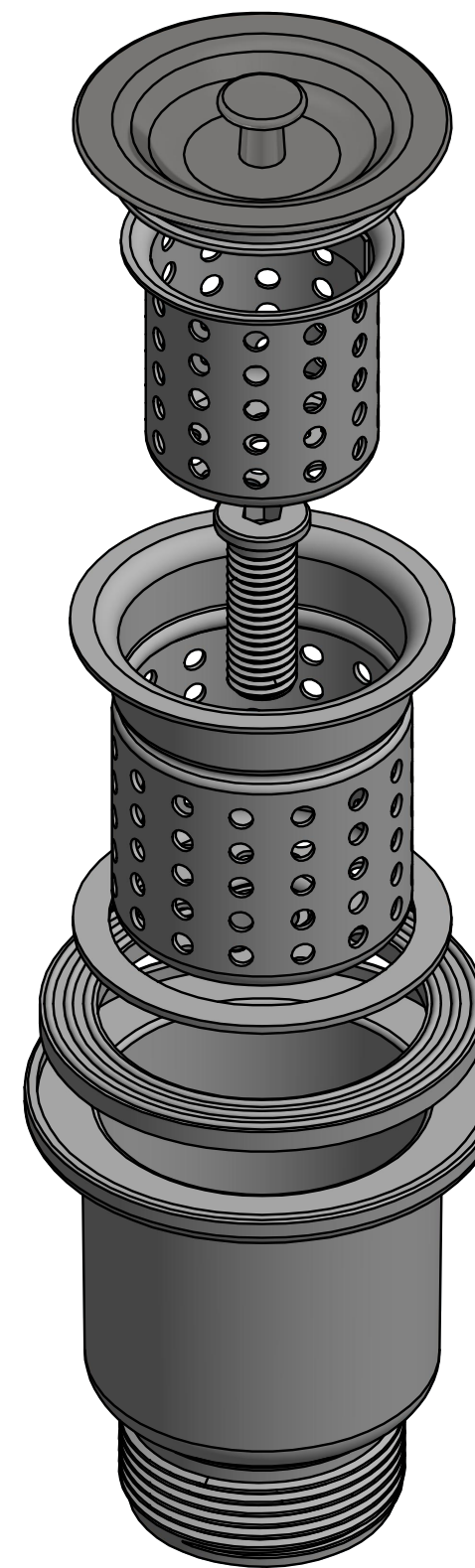
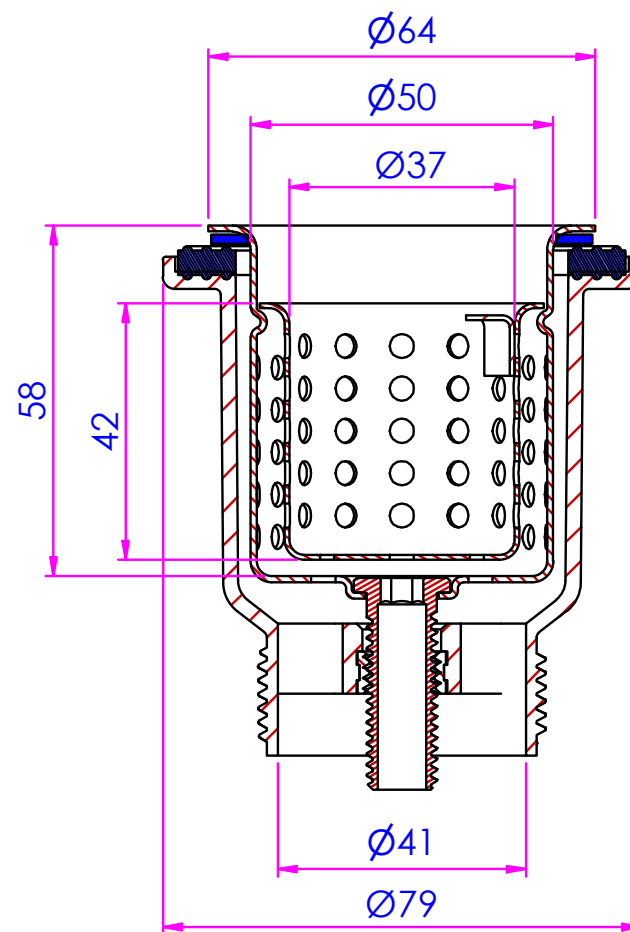


Section View



1 1/2" MI BSP

M12 x 35 connector



Removable Strainer = 77 x 4mm Diameter Holes
 Fixed Strainer - 105 x 4mm Diameter Holes



UNIT 6/24 WELLINGTON STREET
 RIVERSTONE NSW 2765
 P- 02 9627 6111 F- 02 9627 3111

GEN TOL
 .X +/- .5mm
 .XX +/- .25mm
 .XXX +/- .125mm

3MONKEEZ OWNS THE COPYRIGHTS TO THIS DRAWING WHICH IS ITS EXCLUSIVE PROPERTY AND WHICH IS SUPPLIED IN CONFIDENCE AND WHICH MUST NOT BE USED FOR ANY PURPOSE OTHER THAN THAT EXPRESSLY PERMITTED AND MUST NOT BE DISCLOSED OR PRODUCED WITHOUT PERMISSION FROM 3MONKEEZ. THIS DRAWING MUST BE RETURNED OR DESTROYED WHEN THE PURPOSE FOR WHICH IT IS SUPPLIED HAS CEASED.

DRAWN
 Bill Frost
 Revised
 BF

15/01/2021

12/10/2022

APPROVED BY



THIRD ANGLE PROJECTION

ALL DIMENSIONS ARE IN MILLIMETRES UNLESS OTHERWISE STATED

F:\3MDesign\SSBW-40\SSBW-40 210115.dwg

TITLE
 Scraptrap 40mm Diameter with 40mm MI BSP Connection.

DWG NO
 SSBW-40

REGISTER No.
 0012

REMOVE ALL SHARP EDGES UNLESS NOTED OTHERWISE

SCALE:
 N.T.S

DRAWING - PART STATUS
 Preliminary

REV
 1

SHEET 1 OF 1