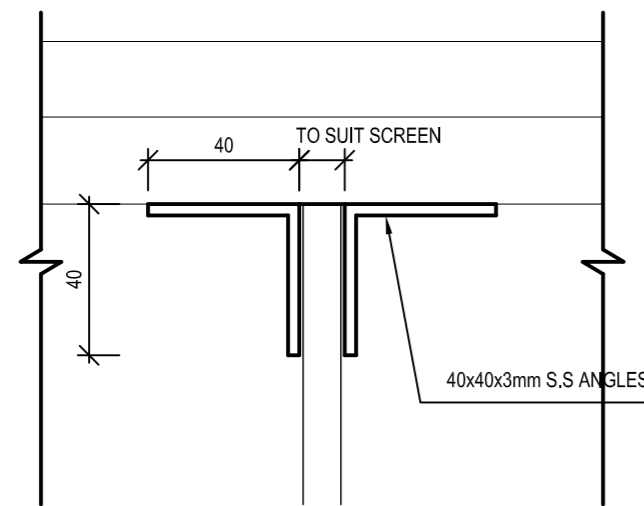
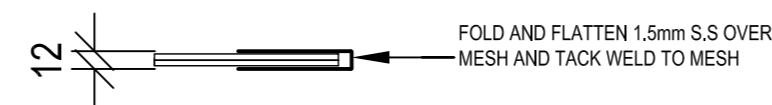
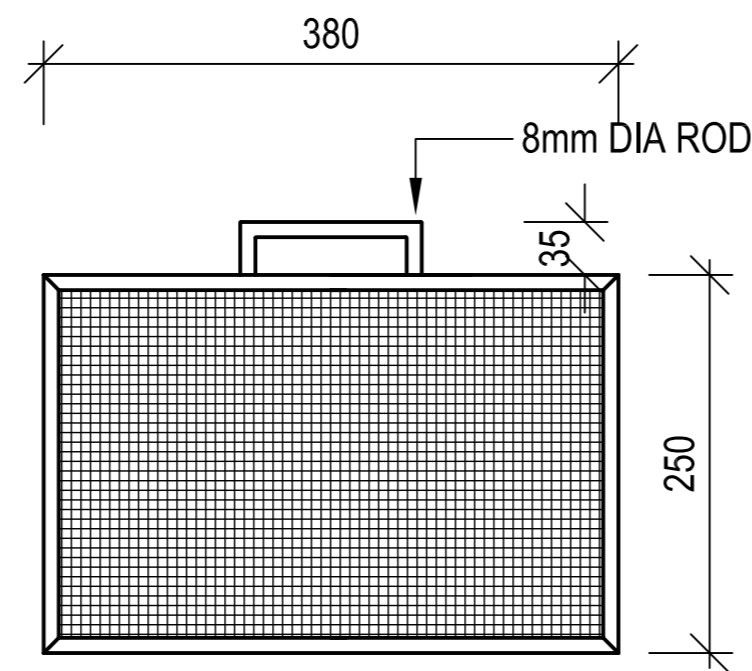


**CH1 (QTY 1)**

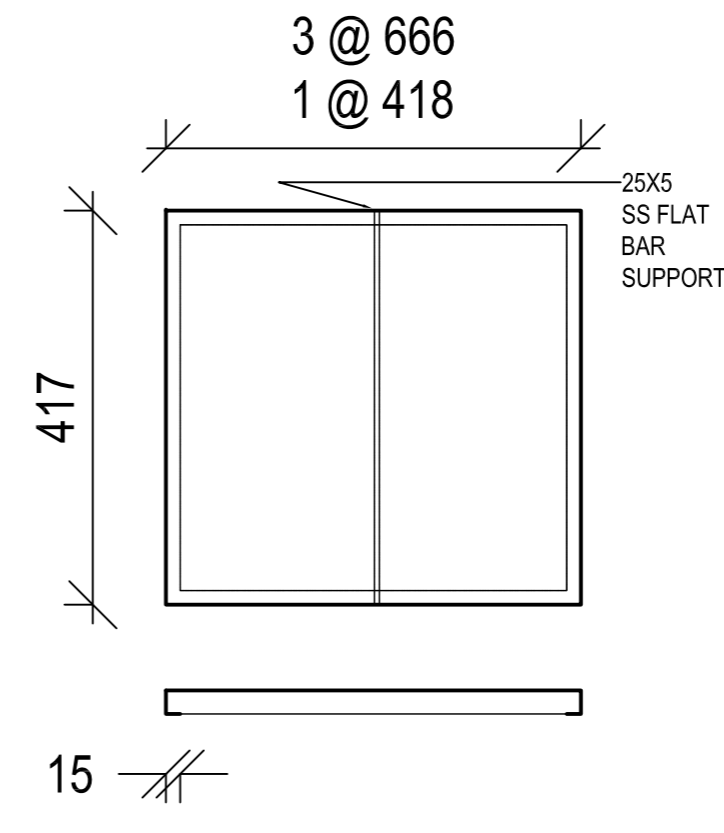
2500 x 500 x 300/275mm LAUNDRY SURGE CHANNEL  
296 LITRES BEHIND LINT SCREENS  
304 STAINLESS STEEL, 1.5mm THK  
1x OUTLET, END LOCATION  
1:10



LINT SCREEN ANGLE DETAIL  
SCALE 1:2



LINT SCREENS DETAIL  
1 @ 5mm WOVEN WIRE MESH  
1 @ 3mm WOVEN WIRE MESH  
SCALE 1:5



3 @ COVER PLATES 665 X 417  
1 @ COVER PLATE 420 X 417 WITH 20mm FINGER HOLES

WM OUTLET HOLES REQUIRED IN COVER PLATES DRILLED BY SITE PLUMBER

**PRELIMINARY**  
NOT FOR CONSTRUCTION

REV	DATE	AMENDMENTS	INIT

**AusPress**  
Press-Fit, Drainage & Tooling Solutions  
AusPress Systems Pty Ltd  
PO Box 107, Cornuna Avenue  
Melrose Park SA 5039  
Call: 1300 AUSPRESS (1300 287 773)  
Visit: www.auspress.com.au

PROJECT NAME:  
**AUSPRESS SURGE CHANNEL  
EXAMPLE MANUFACTURING**

DRAWING TITLE:  
**2500 X 500 X 300-275 SURGE  
CHANNEL**

SHEET: 1 of 1  
SCALE: NTS  
DATE: 12/06/2020  
DRAWN / CHECK: CS

(C) AusPress Systems Pty Ltd - This drawing remains the property of AusPress at all times. Materials implied based on provided drawings. AusPress accepts no responsibility for any variations upon actual installation. No copies, utilisation or handling over to third parties is permitted without prior consent.

VERIFY ALL DIMENSIONS AND LEVELS ON SITE BEFORE COMMENCING ANY WORK OR SHOP DRAWINGS - DO NOT SCALE DIMENSIONS. In the event of conflict within the provided drawings, notify AusPress immediately. All designs based on our recommended installation technical information and product specifications.