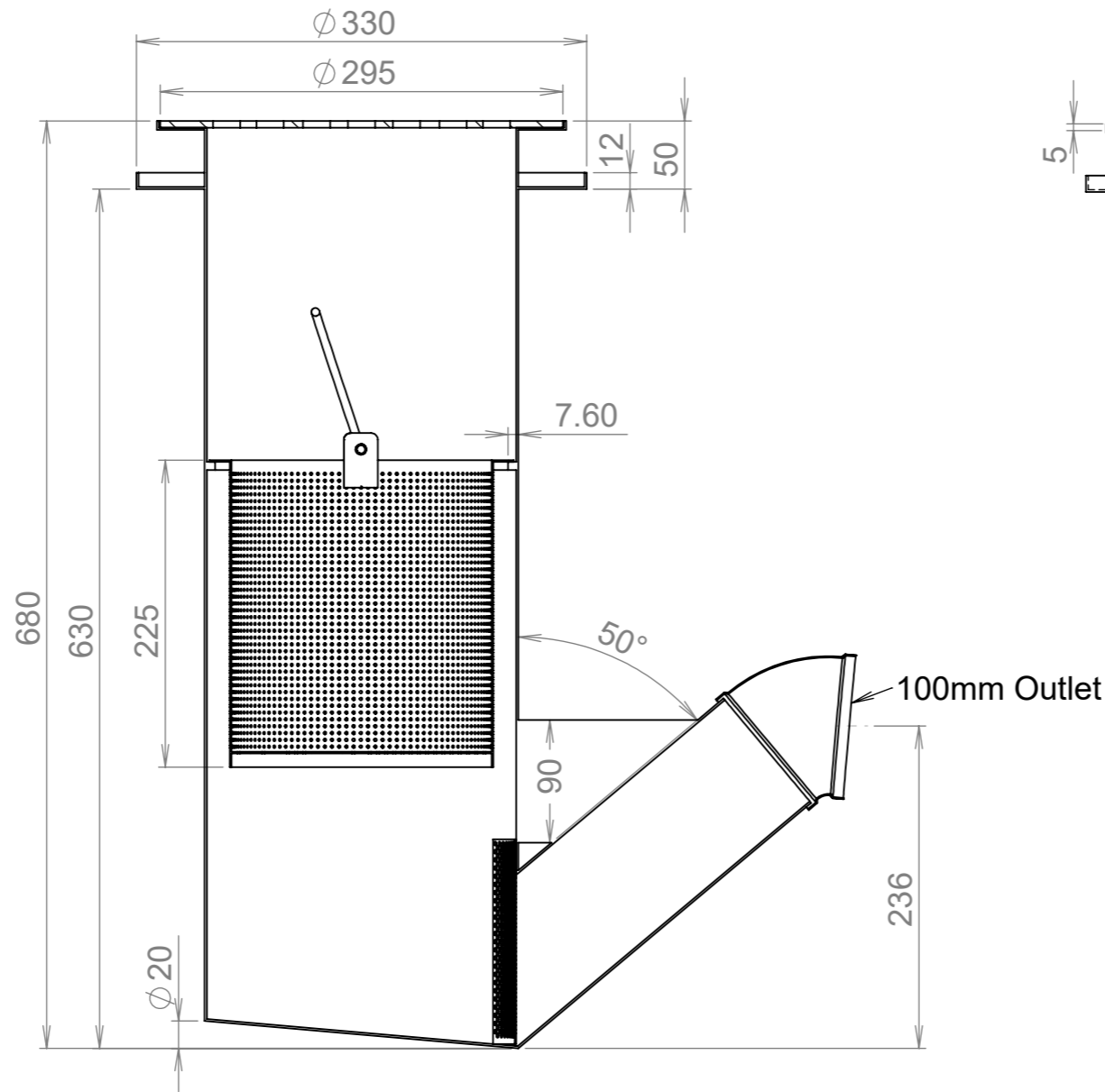
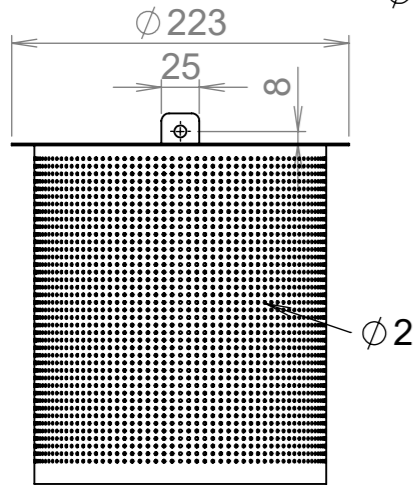
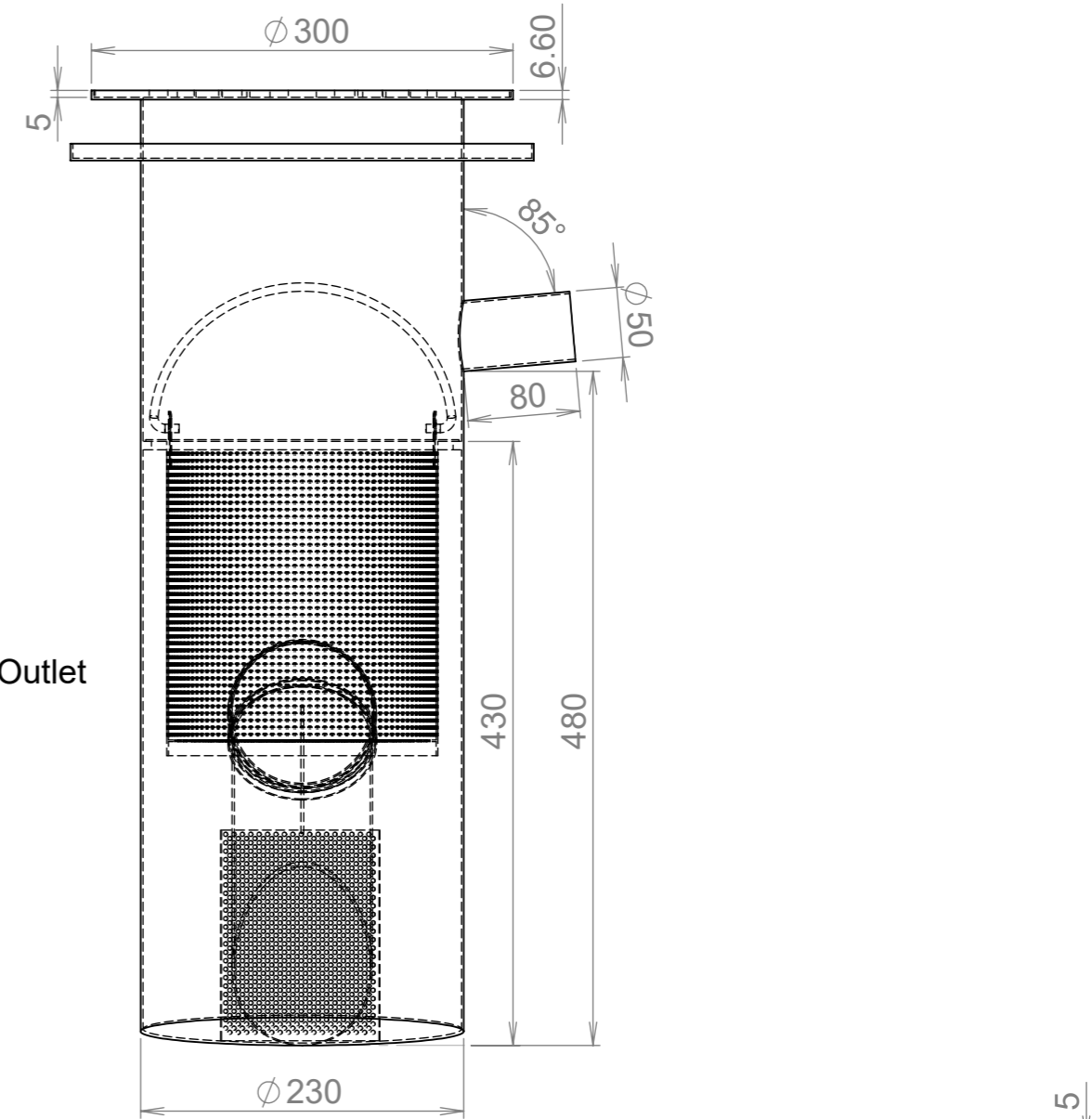


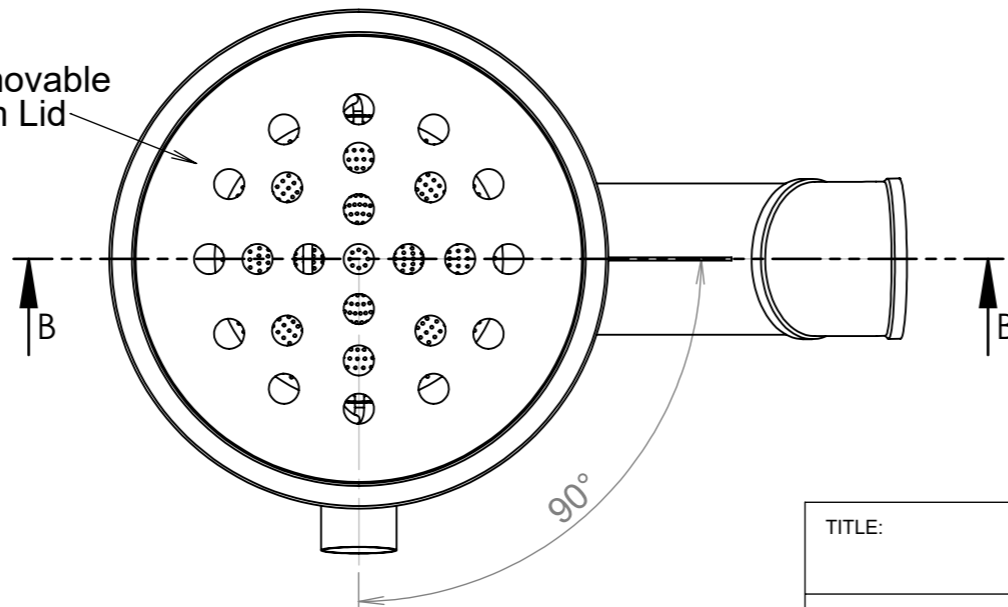
Fixed Screen
 Ø 3mm Mesh



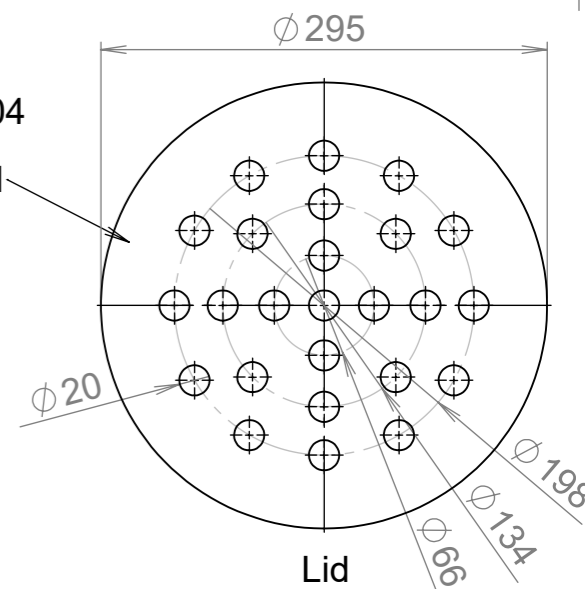
SECTION B-B



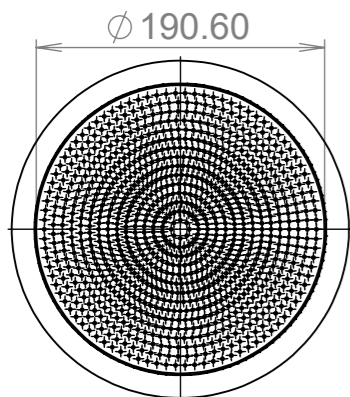
Removable
 5mm Lid



5mm Grade 304
 Satin Finish
 Stainless Steel



Lid



TITLE:	50-11-0006 Manufacturing Drawing	DATE	01/03/17	<p>BRITEX Britex Metal Products Co. Pty Ltd. ACN: 004 309 737 2 Mirra Ct, Bundoora Victoria 3083 P: 03 9466 9000 F: 03 9466 9044 britex.com.au info@britex.com.au</p>	A3
Drawing:	SD-3841.2	DRAWN	db		
UNLESS OTHERWISE SPECIFIED: DIMENSIONS ARE IN MILLIMETERS		CHK'D			REVISION
DO NOT SCALE DRAWING		APPV'D		B	
SHEET 2 OF 3		SCALE:1:5			