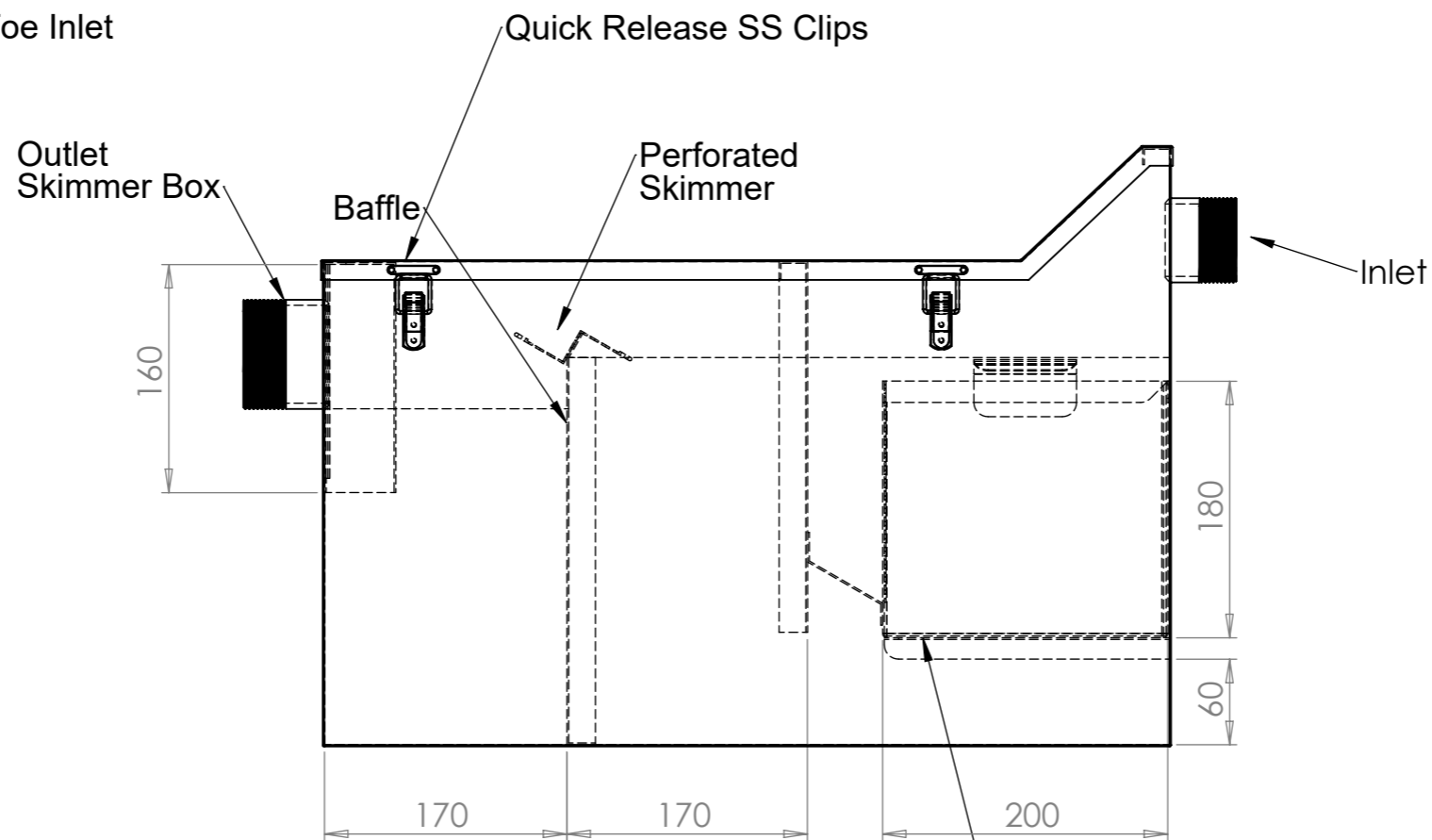
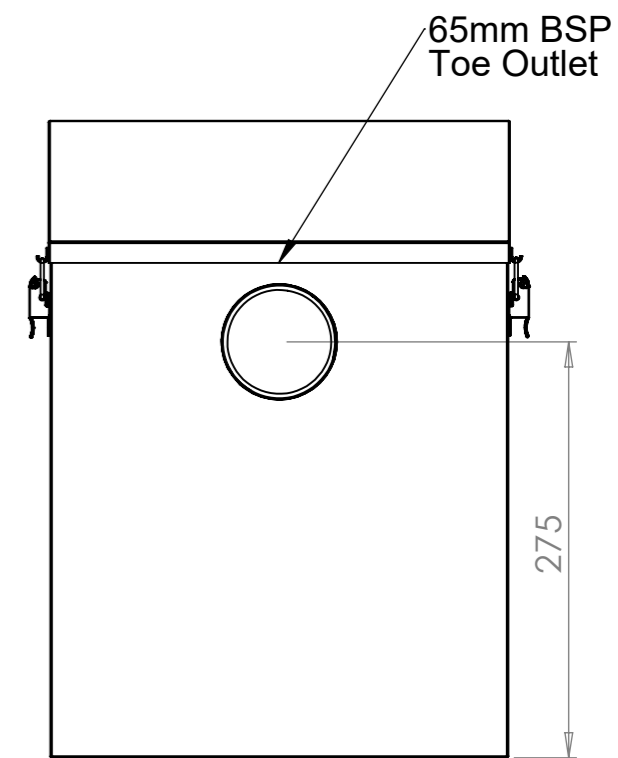


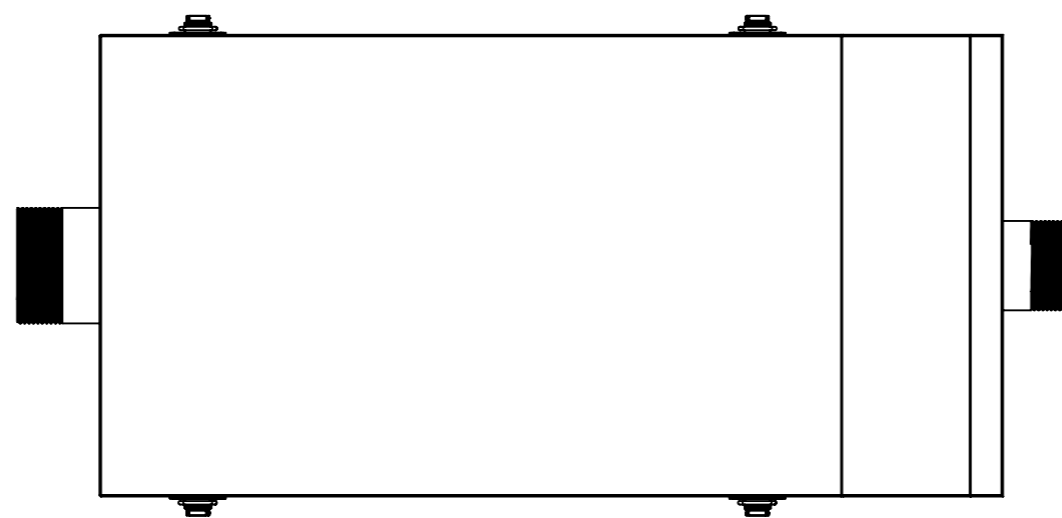
FRONT VIEW



SIDE VIEW



BACK VIEW



TOP VIEW

Removeable Solids Capture Box With Perforated Front

TITLE:	OSPC	DATE	14/01/16	BRITEX	A3
		DRAWN	db		
Drawing:	SD-2778	CHK'D		Britex Metal Products Co. Pty Ltd. ACN: 004 309 737 2 Mirra Ct, Bundoora Victoria 3083 P: 03 9466 9000 F: 03 9466 9044 britex.com.au info@britex.com.au	REVISION
UNLESS OTHERWISE SPECIFIED: DIMENSIONS ARE IN MILLIMETERS		APPV'D			C
DO NOT SCALE DRAWING		SHEET 2 OF 2		SCALE:1:10	