

| | |
|-----------------|---------------------------|
| Approved by: | Technical Service Manager |
| Version: | 1 |
| Effective Date: | 26/02/2020 |

This Work Instruction outlines the steps required to maintain a Bucket/Silt Trap, for optimal use.

| | |
|----------------------|---|
| Department: | Technical Services / R&D |
| Task/Activity | Product – Bucket/Silt Trap Maintenance |

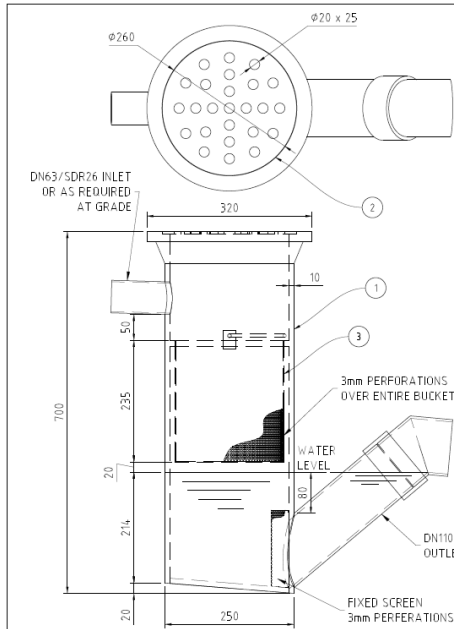
Task Instructions: The cleaning requirements of the Bucket/Silt Trap are governed by the frequency of use and the type of trade waste discharged into the bucket/silt trap.

ITEM 1 TASK/ACTION: Diagrams of Bucket/Silt Trap

1. Review the diagram of the Bucket/Silt Trap and components.



2. Buck trap



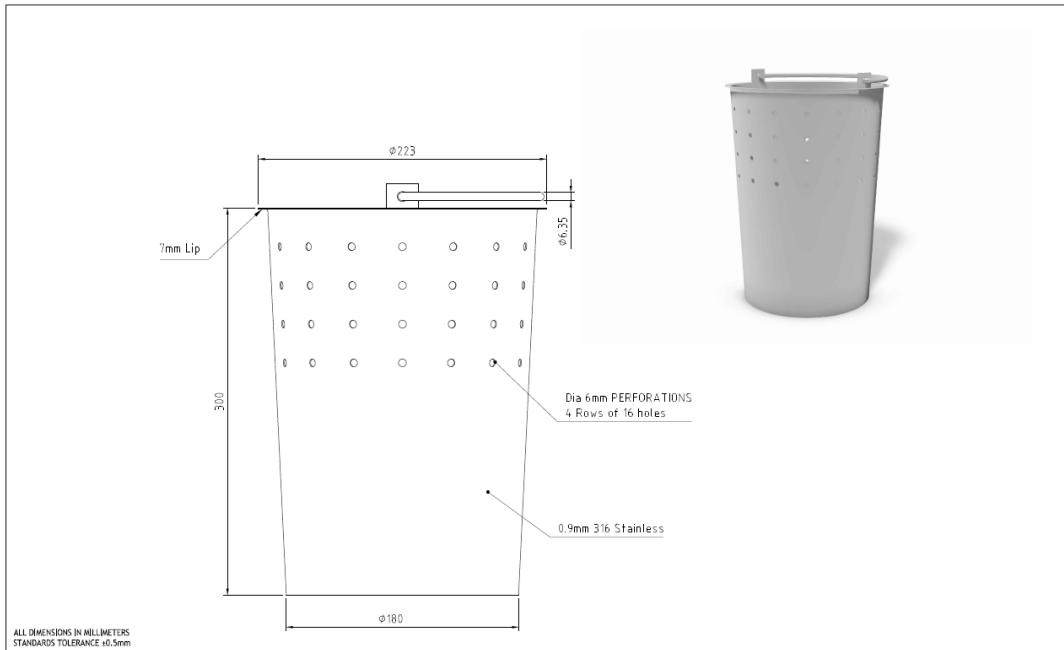
| ITEM | QTY | PART NO. | MATERIAL/COMPONENT | CUT LENGTH | SPECIFICATIONS | DRAWING No. |
|------|-----|----------|--|------------|----------------|-------------|
| 1 | 1 | - | Bucket Trap Body | - | PE100 | - |
| 2 | 1 | GRATE | 240mm x 5mm Plain Finish 316 S/S Grate | - | 316 Stainless | - |
| 3 | 1 | SSB/SC | TYPE C S/S Bucket | - | 316 Stainless | - |




| | | | | | | |
|-----|----------|-------|------|--|---------------------------------------|------------------------------------|
| | | | | SCALE: 1:5 A3 DRAWN: SRT 2017.05.22 CHECKED: DESIGNED: APPROVED: | ACU-TECH Bucket Trap TYPE C | DRAWING/PART No. BT25011 |
| No. | REVISION | DRAWN | DATE | Sheet 1 of 1 ISSUE: | | |

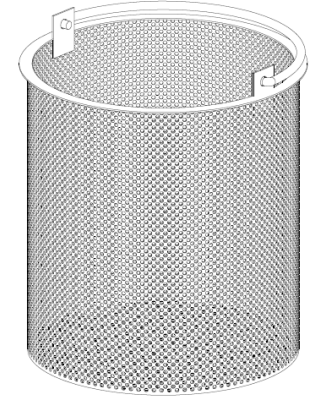
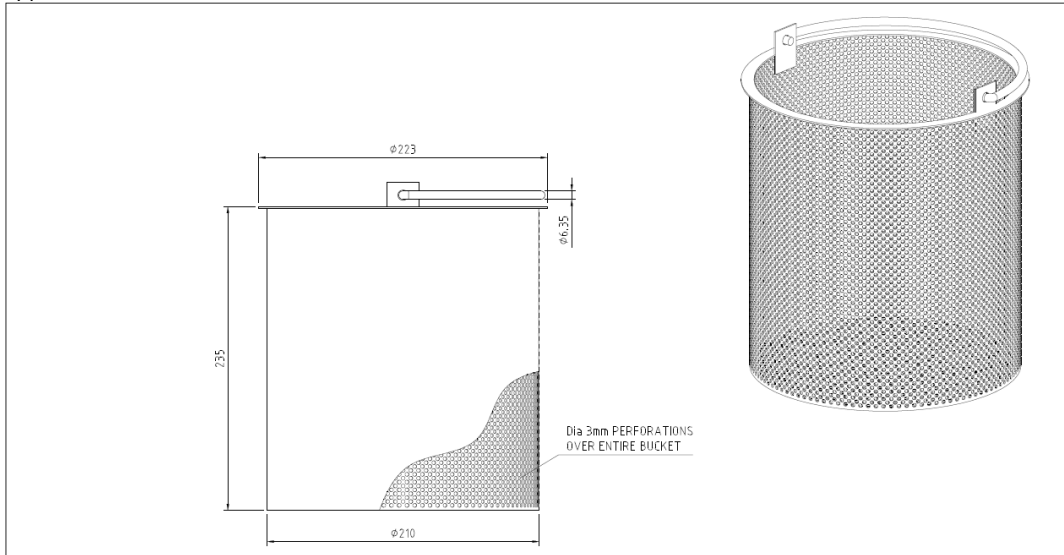
| | |
|-----------------|---------------------------|
| Approved by: | Technical Service Manager |
| Version: | 1 |
| Effective Date: | 26/02/2020 |


3. Type A Bucket



| | | | | |
|-----|--|--|---|---|
| |  119 Kelvin Road MADDINGTON WA 6109 T: 08 9238 8000 | SCALE: 1:2 A3 DRAWN: SRT 2017.07.01 CHECKED: DESIGNED: APPROVED: | TYPE A Bucket 316 Stainless Steel | DRAWING/PART No. SSB25A Sheet 1 of 1 ISSUE: |
| No. | REVISION | DRAWN | DATE | |

4. Type C Bucket



| | | | | |
|-----|---|--|---|---|
| |  119 Kelvin Road MADDINGTON WA 6109 T: 08 9238 8000 | SCALE: 1:2 A3 DRAWN: SRT 2017.07.07 CHECKED: DESIGNED: APPROVED: | TYPE C Bucket 316 Stainless Steel | DRAWING/PART No. SSB25C Sheet 1 of 1 ISSUE: |
| No. | REVISION | DRAWN | DATE | |



WHS-WI-010-51 WORK INSTRUCTION

Approved by: Technical Service Manager

Version: 1

Effective Date: 26/02/2020

| ITEM 2 | TASK/ACTION: Maintenance of Bucket/Silt Trap |
|--------|--|
| | <ol style="list-style-type: none">1. To clean, remove the stainless steel lid and lift the filter bucket out. Empty the solids from the bucket into an appropriate waste bin.2. Remove any additional solids found inside the silt trap body that may have bypassed the filter bucket.3. Using high pressure water and a stiff plastic bristle brush scrub the fixed filter at the bottom of the silt trap. (A toilet brush works well). Rinse well removing any attached residue material.4. Repeat step 3 on the filter bucket. Removing all residue material.5. Wash down the entire internal area of the silt trap with clean water.6. Replace filter bucket and stainless steel lid. |

-- End of Work Instruction --