

Cylindrical Bucket Trap

OSCBT



Scan QR code
to view our
installation notes

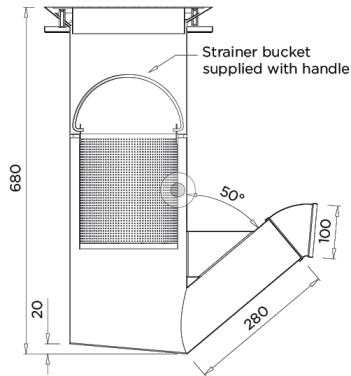


Product Info:

- Easy to clean, removable fine mesh strainer bucket
- Removable top grate for easy access
- Prevents solid waste from entering plumbing
- Heavy duty, fully welded construction
- Models to suit concrete and vinyl floors

To order this item please advise:

- OSCBT-C: suits concrete floors
- OSCBT-V: suits vinyl floors



INSTALLATION NOTES

- 1) Tank must be installed level to operate effectively.
- 2) If being installed under a bench top or permanent fixture, ensure enough space is provided to remove strainer bucket and gain access to inside of tank for cleaning.
- 3) Trap works by filtering waste water, capturing solid waste in mesh strainer, whilst clean water passes through, entering waste outlet in base of trap.

