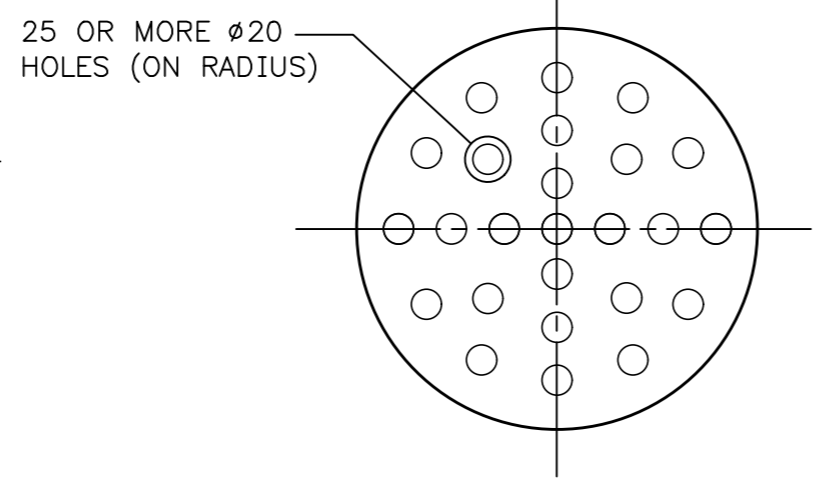
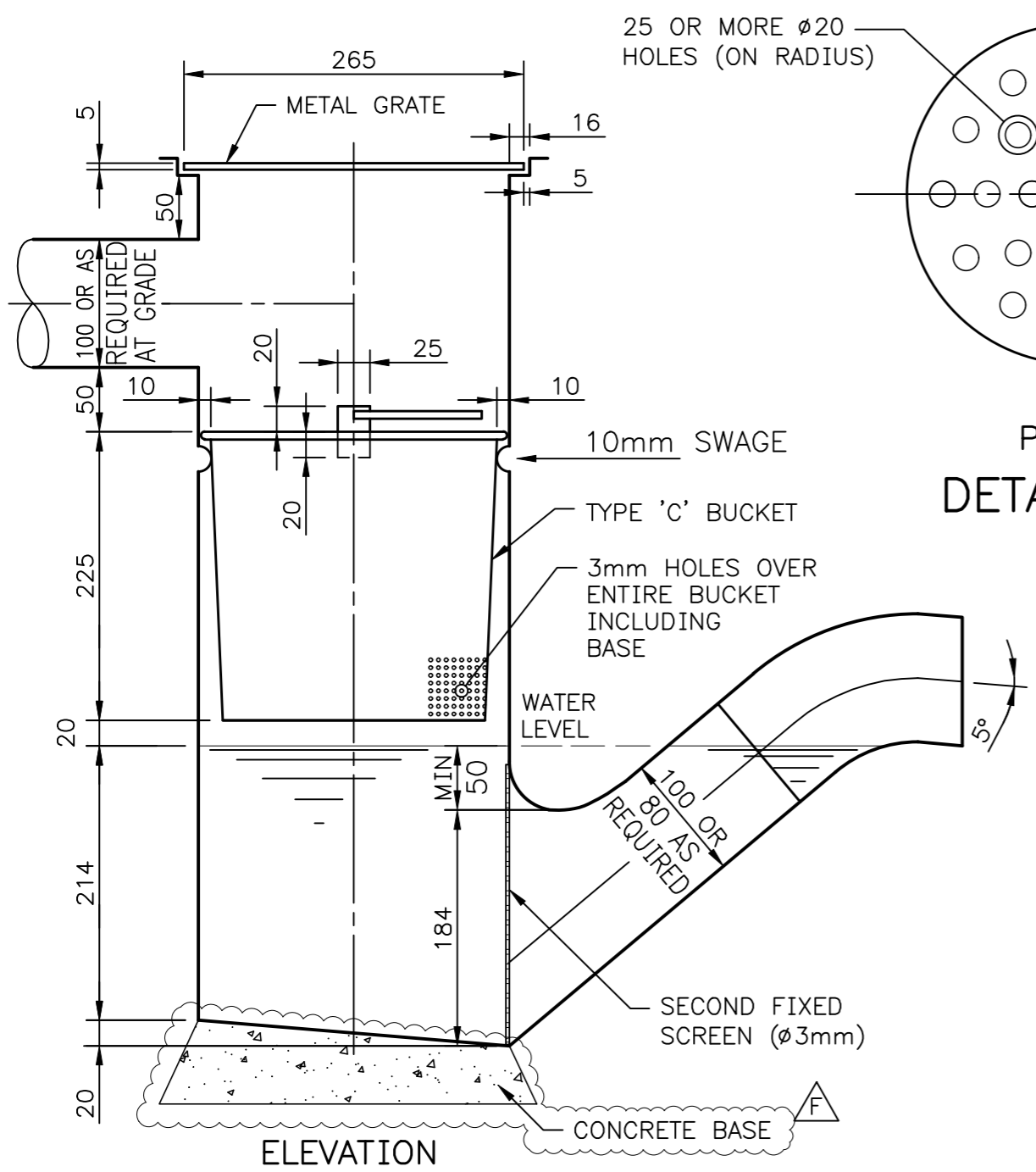
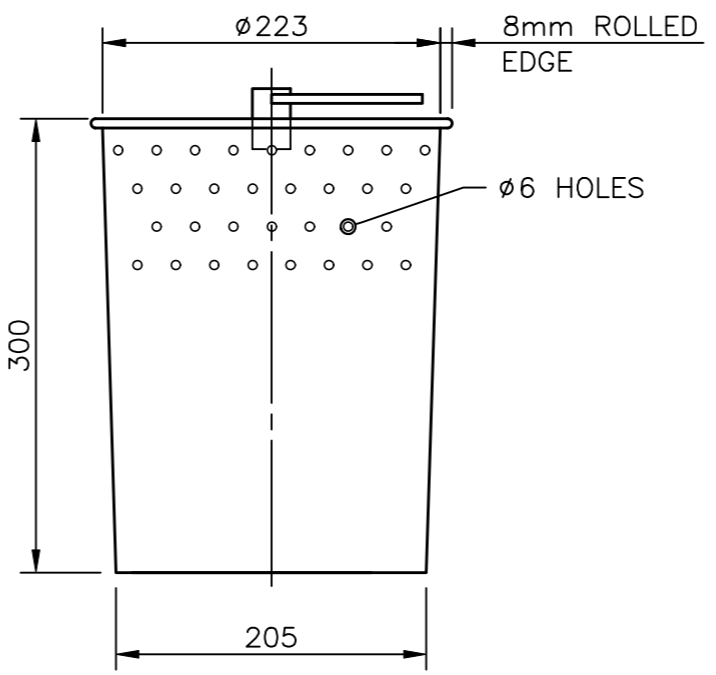


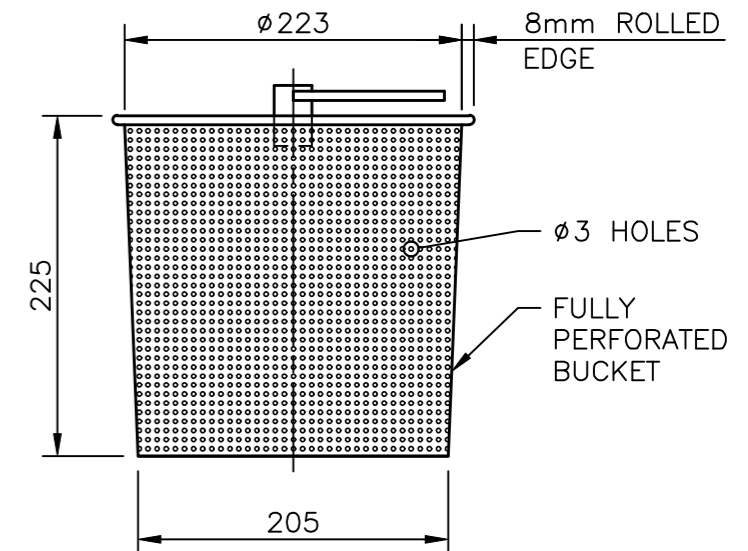
FOR MORE INFORMATION REFER TO OUR WEBSITE
watercorporation.com.au/tradewaste



PLAN ELEVATION
 DETAIL OF METAL GRATE



TYPE 'A' BUCKET

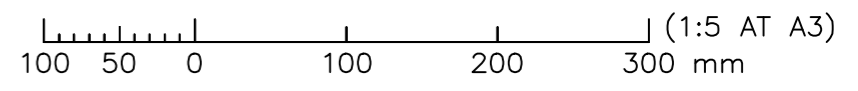


TYPE 'C' BUCKET

GUIDELINES

1. DIMENSIONS SHOWN ARE MINIMUM ACCEPTABLE SIZE ONLY.
2. BODY TYPE IS THE SAME FOR TYPE 'A' AND 'C' BUCKETS.
3. BUCKET TRAPS CONSTRUCTED FROM EARTHENWARE 230x100 OBLIQUE JUNCTIONS WILL NOT BE CONSIDERED.
4. BASE OF BUCKET TRAP TO BE SUPPORTED BY CONCRETE
5. ALL MEASUREMENTS SHOWN IN MILLIMETRES.
6. ALL ASSOCIATED PLUMBING WORK IS TO COMPLY WITH THE PLUMBERS LICENSING AND PLUMBING STANDARDS REGULATIONS 2000 (THE PLUMBING REGULATIONS) (AS AMENDED)
7. BUCKET TRAP TO BE A WATER CORPORATION APPROVED PRODUCT. REFER TO WATER CORPORATION WEBSITE FOR LIST OF APPROVED PRODUCTS.

TYPE A – BUCKET TO BE USED WHERE THERE IS SAND, CLAY, PLASTER OR HEAVY SOLID MATERIAL WHICH MAY ENTER THE SEWER.
 TYPE C – BUCKET TO BE USED IN ALL OTHER PROCESSES i.e. VEG PROCESSING, BUTCHERING ETC.



ISSUE	DATE	GRID	REVISION	DRN	REC	APPD
F	05/2024		NOTE 4 REPLACED, CONCRETE BASE DRAWN REMOVED 100 TWT OPTION	JD	NT	MS
E	02/2020		PLUMBING REGULATION TITLE UPDATED, NOTE 7 ADDED, FORMERLY TYPICAL DRAWING REFERENCE REMOVED	JMS	NT	MS
D	07/2016		WEBSITE DETAILS ADDED, GUIDELINES AMENDED	BJ	SJ	MS
C	03/2014		SECOND FIXED SCREEN RELOCATED & DRG RE-DRAWN TO SCALE	AC	PR	MS
B	06/2009		NOTE 6 ADDED & TYPE 'B' CHANGED TO TYPE 'C'	RJ	GC	AM

DES CALC	RECOMMENDED	25/03/2014		WATER CORPORATION		ORIGINAL SHEET SIZE
DES CHD	P. RANASINGHE (SIGNED)	SUPERVISOR ASSESSMENT		TYPICAL DRAWINGS FOR TRADE WASTE BUCKET TRAP		
DRN	APPROVED	25/03/2014		FILE	58535545	PLAN
K MCGREGOR	M. STARK (SIGNED)	MANAGER, TRADE WASTES		PROJECT		
Q.C. CHD				HX33-11-00		F
G CLEAVER						MF