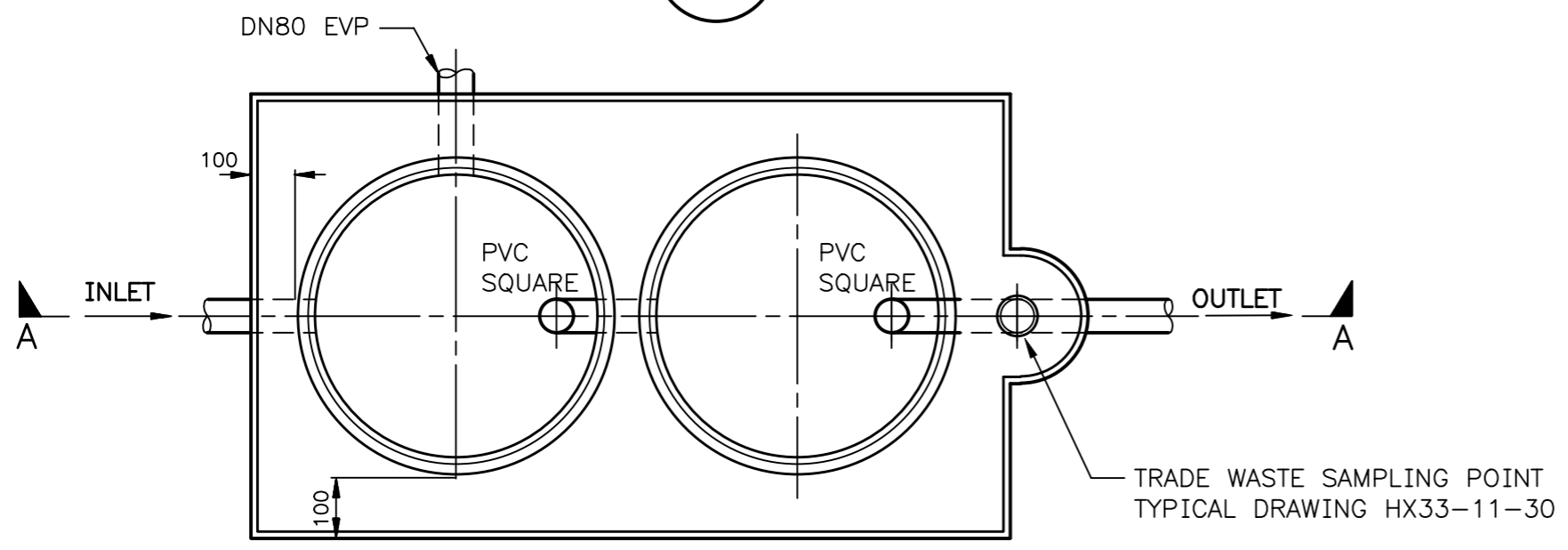


SECTION A



PLAN

**GUIDELINES**

1. THE INTERNAL SURFACES MUST BE CHEMICAL RESISTANT.
2. THE INTERNAL SURFACE MUST BE AN INTEGRAL PART OF THE WALL AND BASE.
3. GAS TIGHT ACCESS COVERS ARE REQUIRED WHERE:
  - 3.1. THERE IS VEHICULAR TRAFFIC.
  - 3.2. THERE IS PEDESTRIAN TRAFFIC.
  - 3.3. IT IS SUBJECT TO STORMWATER INTRUSION.
  - 3.4. IT IS INSTALLED INSIDE A BUILDING.
4. ALL ACCESS COVERS TO COMPLY WITH LATEST VERSION OF AS 3996.
5. THE MINIMUM ACCEPTABLE VOLUME IS 1000 LITRES.
6. DILUTION UNIT MUST BE PROVIDED WITH ACCESS FOR CLEANING AND MAINTENANCE PURPOSES.
7. DILUTION UNIT MUST BE SIZED TO ENSURE THE DISCHARGE MEETS THE TRADE WASTE ACCEPTANCE CRITERIA BY WATER CORPORATION. THE pH OF DISCHARGE MUST BE BETWEEN 6.0 AND 10.0. THE DILUTION UNIT MAY BE ADAPTED TO CONTAIN A pH PROBE FOR AUTOMATIC DOSING.
8. ALL MEASUREMENTS SHOWN ARE IN MILLIMETRES.
9. AIR ADMITTANCE VALVE SHALL NOT BE USED IN CONNECTION WITH TRADE WASTE PRE-TREATMENT FIXTURES.
10. ALL ASSOCIATED PLUMBING WORK IS TO COMPLY WITH THE PLUMBERS LICENSING AND PLUMBING STANDARDS REGULATIONS 2000 (THE PLUMBING REGULATIONS) AND LATEST VERSIONS OF AS/NZS 3500.1 AND AS/NZS 3500.2.
11. APPLICABLE WHERE UNIT IS LOCATED IN AREA THAT IS SUBJECT TO PONDING OR ON OPEN UNSEALED GROUND IN A NON-TRAFFICABLE AREA. IF AREA IS SEALED THEN GROUND MUST BE GRADED AWAY FROM FINISHED ACCESS COVER LEVEL OR SAMPLING POINT TO PREVENT INGRESS OF WATER.
12. DILUTION UNIT TO BE A WATER CORPORATION APPROVED PRODUCT. REFER WATER CORPORATION WEBSITE FOR LIST OF APPROVED PRODUCTS.
13. IF SAMPLING POINT IS LOCATED IN A DRIVEWAY AREA OR SUBJECT TO STORMWATER INTRUSION, THEN IT MUST BE SEALED AND VENTED IN ACCORDANCE WITH TYPICAL DRAWING HX33-10-10 TRADE WASTE SAMPLING POINT DESIGN, LOCATION AND ACCESSIBILITY MUST NOT CONSTITUTE A HEALTH & SAFETY RISK.
14. IF INSTALLED IN GARDEN BED, GRASSED AREA OR THE LIKE THEN FINAL FINISH OF THE ENTIRE LENGTH AND WIDTH OF THE COVER BASE MUST BE OF SOLID MATERIAL (PREFERABLY CONCRETE) AND FINISHED TO THE TOP OF THE ACCESS COVER TO ALLOW SAFE OPENING OF COVERS.

**LEGEND**

EVP EDUCT VENT PIPE

FOR MORE INFORMATION REFER TO OUR WEBSITE [watercorporation.com.au/tradewaste](http://watercorporation.com.au/tradewaste)

SCALE: DIAGRAMMATIC

ISSUE	DATE	GRID	REVISION	DRN	REC	APPD
F	05/2024		NOTE 15 INSERTED TERM 'LID' IN NOTES AMENDED TO ACCESS COVERS	JD	NT	MS
E	02/2020		PLUMBING REGULATION TITLE UPDATED, NOTE 14 & 15 ADDED	JMS	NT	MS
D	07/2016		WEBSITE DETAILS ADDED, GUIDELINES AMENDED	BJ	SJ	MS
C	01/2012		NOTES 1-5 & 8 MODIFIED	BJ	MS	AM
B	06/2009		NOTES 10 & 11 ADDED.	RJ	CC	AM

DES CALC	RECOMMENDED	01/08/2005		WATER CORPORATION TYPICAL DRAWINGS FOR TRADE WASTE DILUTION UNIT	ORIGINAL SHEET SIZE  <b>A3</b>
DES CHD	A MANZINGER				
DRN A CLEAVER	SENIOR ASSESSMENTS OFFICER				
Q.C. CHD G CLEAVER	APPROVED	01/08/2005			
	J HEWITT				
	MANAGER, INDUSTRIAL WASTES				
	FILE	58584702	PLAN	CAD	ISSUE
	PROJECT		<b>HX33-16-00</b>	F	MF