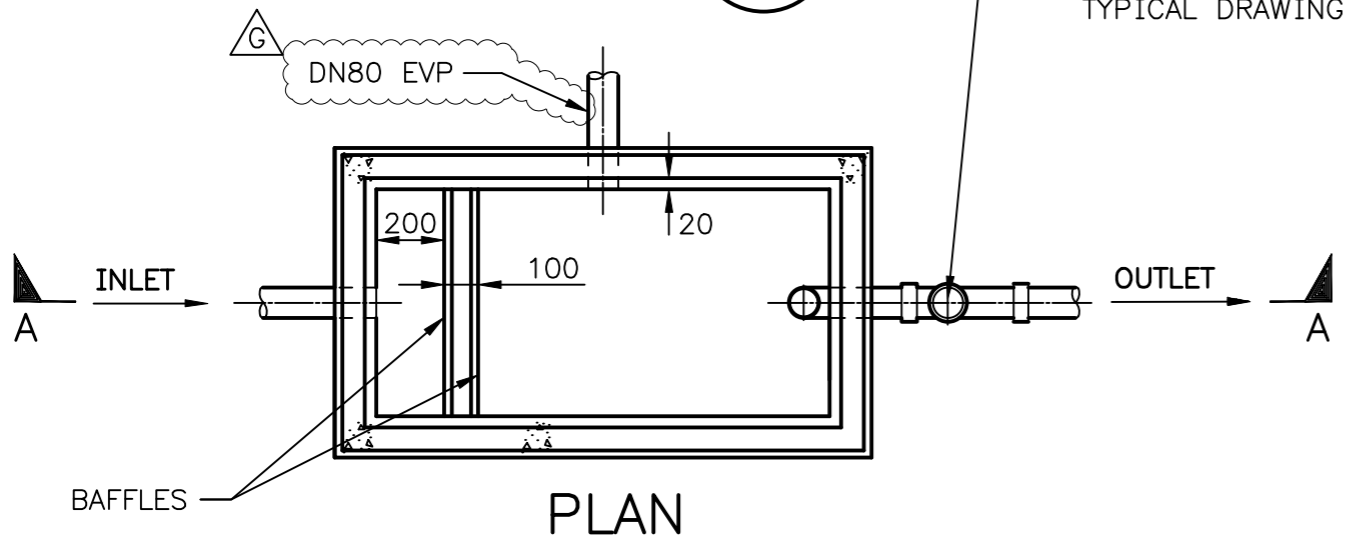
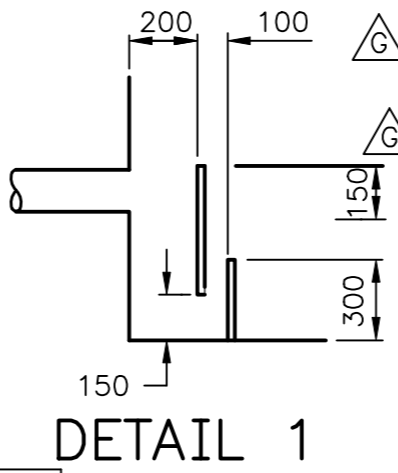


SECTION A



PLAN



DETAIL 1

FOR MORE INFORMATION REFER TO OUR WEBSITE watercorporation.com.au/tradewaste

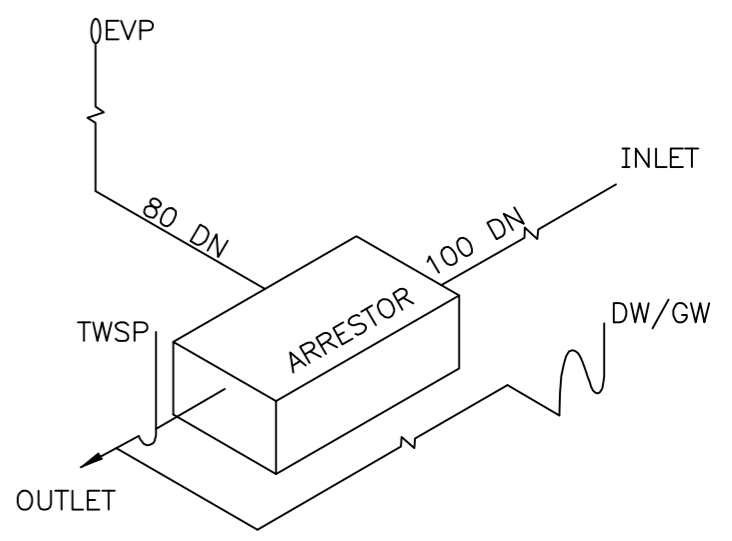
GUIDELINES:

1. PLEASE NOTE THIS DRAWING IS NOT A STANDALONE DOCUMENT AND **MUST BE READ** IN CONJUNCTION WITH PUB23-B (GREASE ARRESTORS INSTALLATION GUIDELINES) AND LATEST VERSION OF THE PLUMBING LICENSING BOARD'S TECHNICAL NOTE - TRADE WASTE APPLICATIONS.
2. ALL MEASUREMENTS SHOWN IN MILLIMETRES.
3. ACCESS COVERS TO COMPLY WITH LATEST VERSION OF AS 3996.
4. ALL ASSOCIATED PLUMBING WORK IS TO COMPLY WITH THE PLUMBERS LICENSING AND PLUMBING STANDARDS REGULATIONS 2000 (THE PLUMBING REGULATIONS) (AS AMENDED)
5. APPLICABLE WHERE UNIT IS LOCATED IN AREA THAT IS SUBJECT TO PONDING OR ON OPEN UNSEALED GROUND IN A NON-TRAFFICABLE AREA. IF AREA IS SEALED THEN GROUND MUST BE GRADED AWAY FROM FINISHED ACCESS COVER LEVEL OR SAMPLE POINT TO PREVENT INGRESS OF WATER.
6. GREASE ARRESTOR TO BE A WATER CORPORATION APPROVED PRODUCT. REFER WATER CORPORATION WEBSITE FOR LIST OF APPROVED PRODUCTS.
7. IF SAMPLE POINT IS LOCATED IN A DRIVEWAY AREA OR SUBJECT TO STORMWATER INTRUSION, THEN IT MUST BE SEALED AND VENTED IN ACCORDANCE WITH TYPICAL DRAWING HX33-10-10.
8. TRADE WASTE SAMPLING POINT DESIGN, LOCATION AND ACCESSIBILITY MUST NOT CONSTITUTE A HEALTH & SAFETY RISK
9. IF INSTALLED IN GARDEN BED, GRASSED AREA OR THE LIKE THEN FINAL FINISH OF THE ENTIRE LENGTH AND WIDTH OF THE COVER BASE MUST BE OF SOLID MATERIAL (PREFERRABLY CONCRETE) AND FINISHED TO THE TOP OF THE ACCESS COVER TO ALLOW SAFE OPENING OF COVERS.
10. THE USE OF AIR ADMITTANCE VALVES (AAV) ARE NOT PERMITTED

G	05/2024		NOTE 8 AND 10 ADDED, UPDATED LID REFERENCES TO ACCESS COVER	JD	NT	MS
F	02/2020		PLUMBING REGULATIONS TITLE UPDATED, NOTE 6,7 & 8 ADDED, DW/GW LINE AMENDED, CHANGES TO ACCESS COVER	JMS	NT	MS
E	07/2016		GUIDELINES ADDED, WEBSITE ADDED, LEGEND UPDATED AND DIMENSION ADDED	BJ	SJ	MS
D	01/2012		GUIDELINES DELETED, NEW NOTES ADDED & DIMENSION MODIFIED	BJ	MS	AM
C	06/2009		NOTES 9 & 10 MODIFIED & NOTES 16 & 17 ADDED	RY	GC	AM
B	12/2005		NOTE 15 ADDED	KLM	AM	VM
ISSUE	DATE	GRID	REVISION	DRN	REC	APPD

LEGEND

- TWSP - TRADE WASTE SAMPLING POINT
- EVP - EDUCT VENT PIPE
- DW/GW - DISHWASHER/GLASSWASHER



SCALE: DIAGRAMMATIC

DES CALC	DES CHD	RECOMMENDED 01/08/2005 A MANZINGER SENIOR ASSESSMENTS OFFICER		WATER CORPORATION TYPICAL DRAWINGS FOR TRADE WASTE GREASE ARRESTOR		ORIGINAL SHEET SIZE
DRN K MCGREGOR	Q.C. CHD G CLEAVER	APPROVED 01/08/2005 J HEWETT MANAGER, INDUSTRIAL WASTES		FILE 58536695	PLAN	CAD ISSUE
				PROJECT	HX33-10-00	G MF