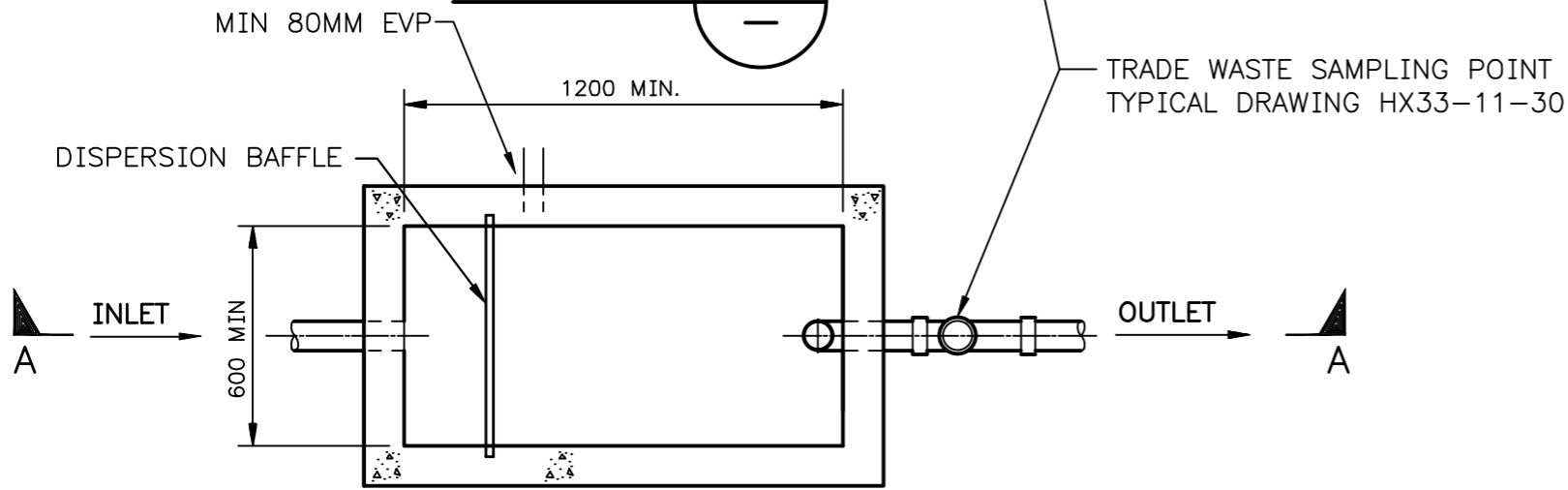


GUIDELINES

1. THE INTERNAL SURFACES MUST BE OF IMPERVIOUS MATERIAL.
2. SETTLEABLE SOLIDS ARRESTOR TO BE A WATER CORPORATION APPROVED PRODUCT. REFER WATER CORPORATION WEBSITE FOR LIST OF APPROVED PRODUCTS.
3. THE MINIMUM ACCEPTED VOLUME OF A SETTLEABLE SOLIDS ARRESTOR IS 1000 LITRES.
4. GAS TIGHT ACCESS COVERS TO ARRESTORS ARE REQUIRED WHERE:
 - 4.1. THERE IS VEHICULAR TRAFFIC
 - 4.2. THERE IS PEDESTRIAN TRAFFIC
 - 4.3. ARRESTORS ARE SUBJECT TO STORMWATER INTRUSION
 - 4.4. THE ARRESTOR IS INSTALLED INSIDE A BUILDING
5. MIN.75mm RAISED KERB IS APPLICABLE WHERE UNIT IS LOCATED IN AREA THAT IS SUBJECT TO PONDING OR ON OPEN UNSEALED GROUND IN A NON-TRAFFICABLE AREA. IF AREA IS SEALED THE GROUND MUST BE GRADED AWAY FROM FINISHED LID LEVEL OR SAMPLE POINT TO PREVENT INGRESS OF WATER.
6. SETTLEABLE SOLIDS ARRESTORS MUST BE PROVIDED WITH READY AND PERMANENT ACCESS FOR CLEANING AND MAINTENANCE PURPOSES.
7. DISPERSION BAFFLE SHALL BE MADE OF MATERIAL THAT DOES NOT DISTORT.
8. ALL MEASUREMENTS SHOWN ARE IN MILLIMETRES.
9. AIR ADMITTANCE VALVE SHALL NOT BE USED IN CONNECTION WITH TRADE WASTE PRE-TREATMENT FIXTURES.
10. ALL ASSOCIATED PLUMBING WORK IS TO COMPLY WITH THE PLUMBERS LICENSING AND PLUMBING STANDARDS REGULATIONS 2000 (THE PLUMBING REGULATIONS) (AS AMENDED)
11. ACCESS COVERS AND GRATES TO COMPLY WITH LATEST VERSION OF AS 3996.
12. IF SAMPLE POINT IS LOCATED IN A DRIVEWAY AREA OR SUBJECT TO STORMWATER INTRUSION, THEN IT MUST BE SEALED AND VENTED IN ACCORDANCE WITH TYPICAL DRAWING HX33-10-10
13. IF INSTALLED IN GARDEN BED, GRASSED AREA OR THE LIKE THEN FINAL FINISH OF THE ENTIRE LENGTH AND WIDTH OF THE ACCESS COVER BASE MUST BE OF SOLID MATERIAL (PREFERABLY CONCRETE) AND FINISHED TO THE TOP OF THE ACCESS COVER TO ALLOW SAFE OPENING OF ACCESS COVERS.
14. TRADE WASTE SAMPLING POINT DESIGN, LOCATION AND ACCESSIBILITY MUST NOT CONSTITUTE A HEALTH & SAFETY RISK IN THE MONITORING OF ANY TRADE WASTE DISCHARGE

SECTION A



PLAN

F	05/2024		NOTE 14 ADDED, NOTE 4 AND 13 EXPANDED 'COVER' TO 'ACCESS COVER'	JD	MF	MS
E	02/2020		PLUMBING REGULATION TITLE UPDATED, NOTE 5 CHANGED AND 12 & 13 ADDED, FORMERLY TYPICAL DRAWING REFERENCE REMOVED	JMS	NT	MS
D	07/2016		WEBSITE DETAILS ADDED, GUIDELINES AMENDED	BJ	SJ	MS
C	01/2012		PIPE ADDED AND NOTES AMENDED	BJ	MS	AM
B	06/2009		NOTES 10 & 11 ADDED	RJ	GC	AM
ISSUE	DATE	GRID	REVISION	DRN	REC	APPD

FOR MORE INFORMATION REFER TO OUR WEBSITE watercorporation.com.au/tradewaste

SCALE: DIAGRAMMATIC

DES CALC	RECOMMENDED	01/08/2005		WATER CORPORATION		ORIGINAL SHEET SIZE
DES CHD	A MANZINGER			TYPICAL DRAWINGS FOR TRADE WASTE SETTLEABLE SOLIDS ARRESTOR		
DRN A CLEAVER	APPROVED	01/08/2005		FILE	58584701	A3
Q.C. CHD G CLEAVER	J HEWITT		PROJECT	HX33-14-00		
				PLAN		
				PROJECT		MF