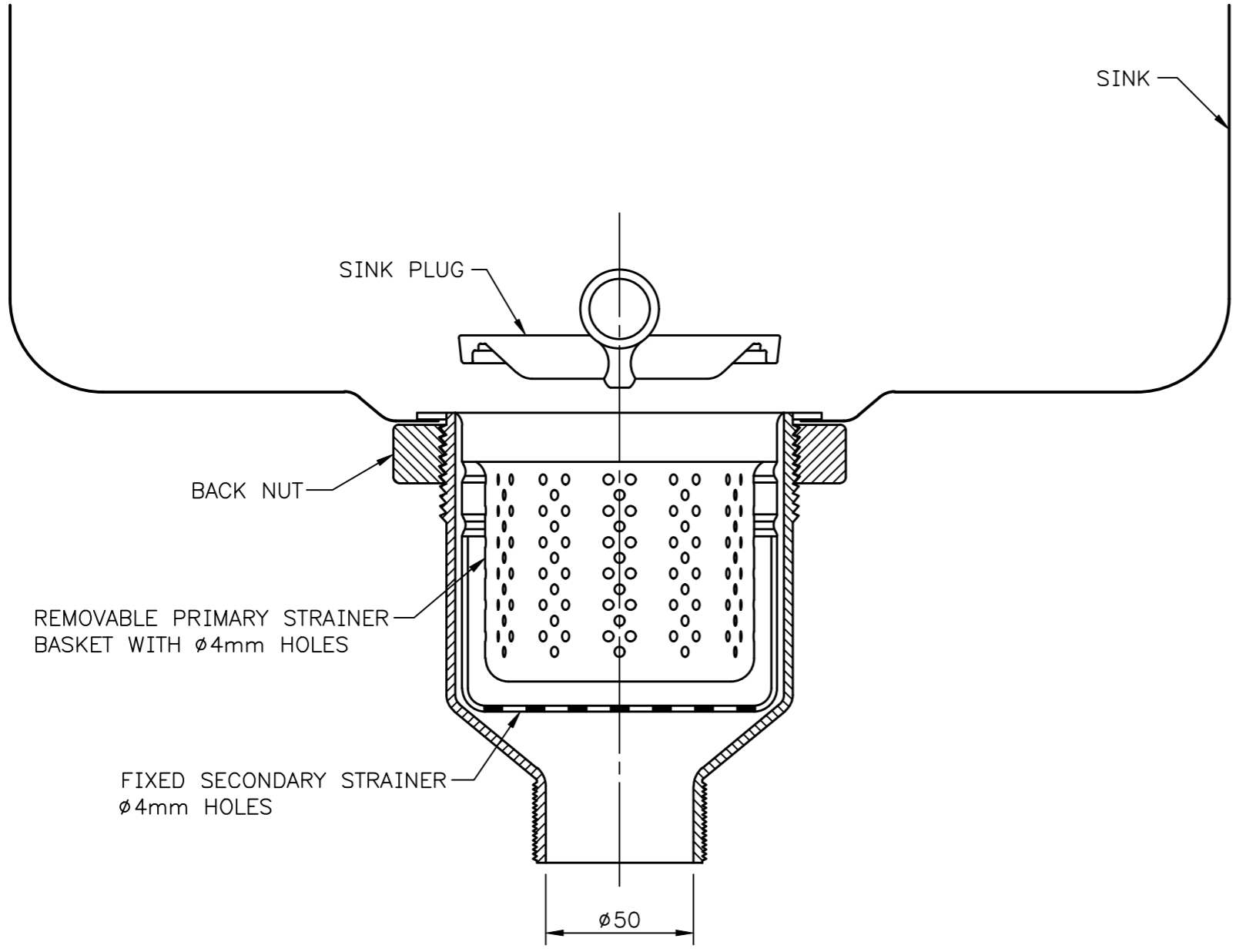


FOR MORE INFORMATION REFER TO OUR WEBSITE
watercorporation.com.au/tradewaste



GUIDELINE FOR STRAINER UNITS

1. SINK STRAINER UNITS OR SIMILAR APPROVED UNITS ARE RECOMMENDED AND MAY BE REQUIRED FOR SINKS IN COMMERCIAL OPERATIONS.
2. PRIMARY STRAINER UNITS ARE TO BE FABRICATED FROM STAINLESS STEEL PERFORATED METAL OR MESH, WITH A MAXIMUM OF 4mm OPENINGS
3. FIXED SECONDARY STRAINERS ARE TO BE FABRICATED FROM STAINLESS STEEL PLATE WITH 4mm HOLES
4. SINK STRAINER UNITS CAN BE RETROFITTED TO SINKS
5. ALL MEASUREMENTS SHOWN ARE IN MILLIMETRES.
6. ALL ASSOCIATED PLUMBING WORK IS TO COMPLY WITH THE PLUMBERS LICENSING AND PLUMBING STANDARDS REGULATIONS 2000 (THE PLUMBING REGULATIONS) (AS AMENDED)
7. SINK STRAINERS TO BE A WATER CORPORATION APPROVED PRODUCT. REFER WATER CORPORATION WEBSITE FOR LIST OF APPROVED PRODUCTS.

E	05/2024		NOTE 6 UPDATED	JD	NT	MS
D	02/2020		PLUMBING REGULATION TITLE UPDATED, NOTE 7 ADDED	JMS	NT	MS
C	07/2016		WEBSITE DETAILS ADDED, GUIDELINE 6 AMENDED	BJ	SJ	MS
B	06/2009		REMOVABLE PRIMARY STRAINER HOLES DIAMETER MODIFIED, NOTE 2 MODIFIED, NOTE 6 ADDED	RY	GC	AM
ISSUE	DATE	GRID	REVISION	DRN	REC	APPD

SCALE: DIAGRAMMATIC

DES CALC A. MANZINGER	DES CHD J. HEWETT	RECOMMENDED 16/10/2007 A MANZINGER SENIOR ASSESSMENTS OFFICER		WATER CORPORATION TYPICAL DRAWINGS FOR TRADE WASTE SINK STRAINER UNITS		ORIGINAL SHEET SIZE A3
DRN P. MIRCO	Q.C. CHD G. CLEAVER	APPROVED 16/10/2007 J HEWITT MANAGER, INDUSTRIAL WASTES		FILE 58584693	PLAN	CAD ISSUE
			PROJECT	HX33-11-20		E